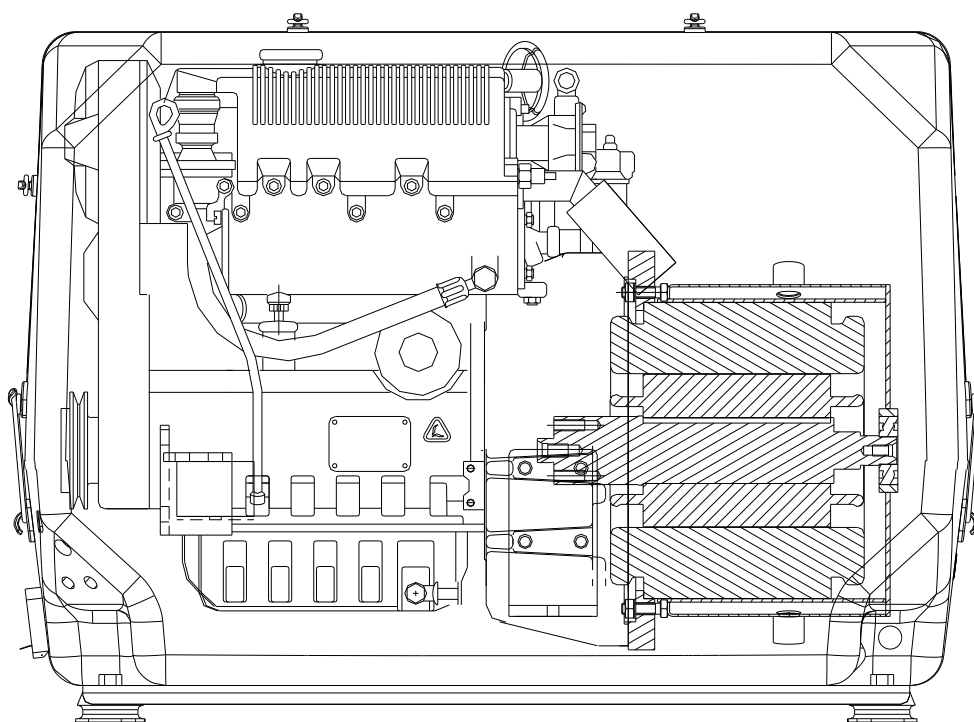
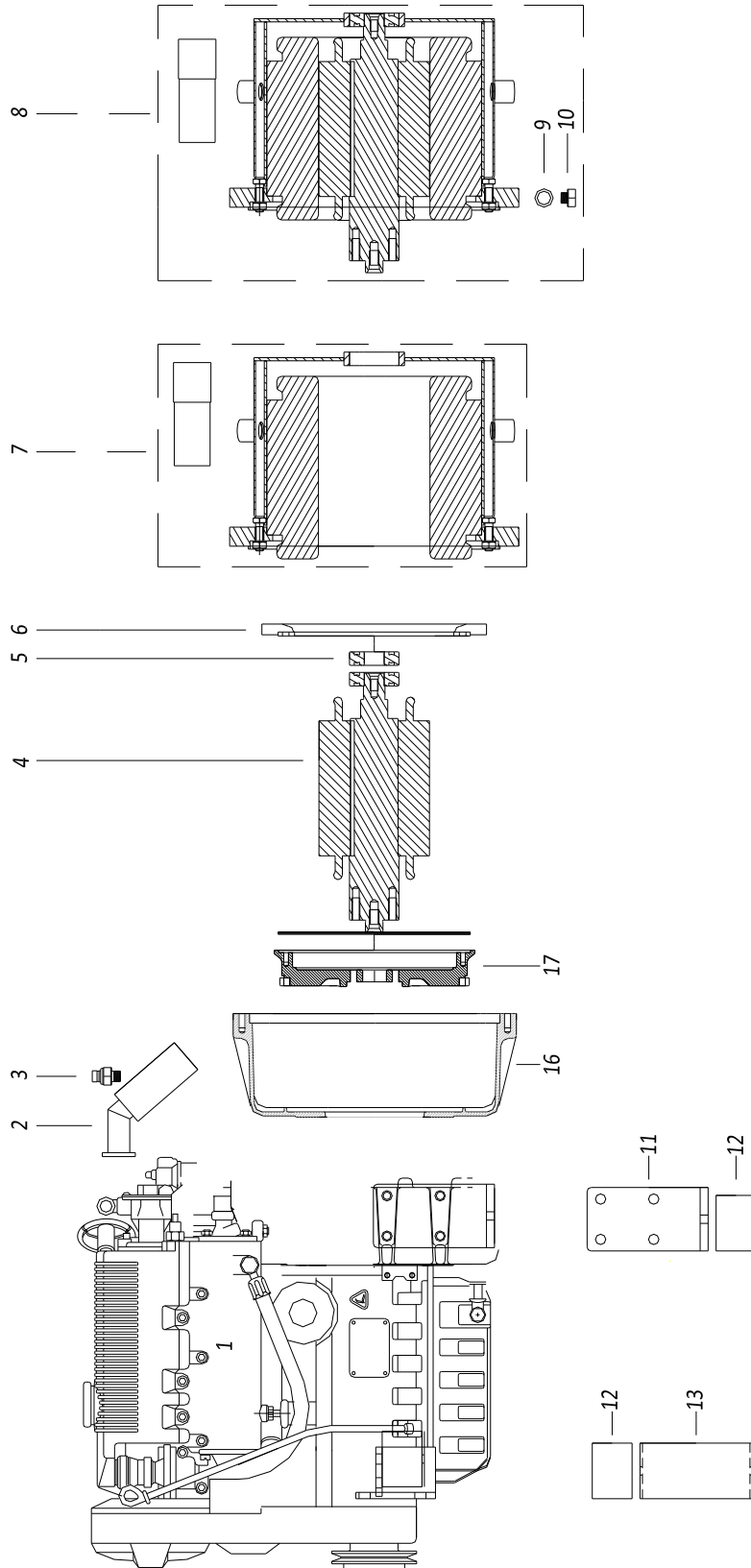


PAGURO 14000

SPARE PARTS CATALOGUE



PAGURO - SPARE PARTS CATALOGUE
PAGURO 14000 - TAB.1

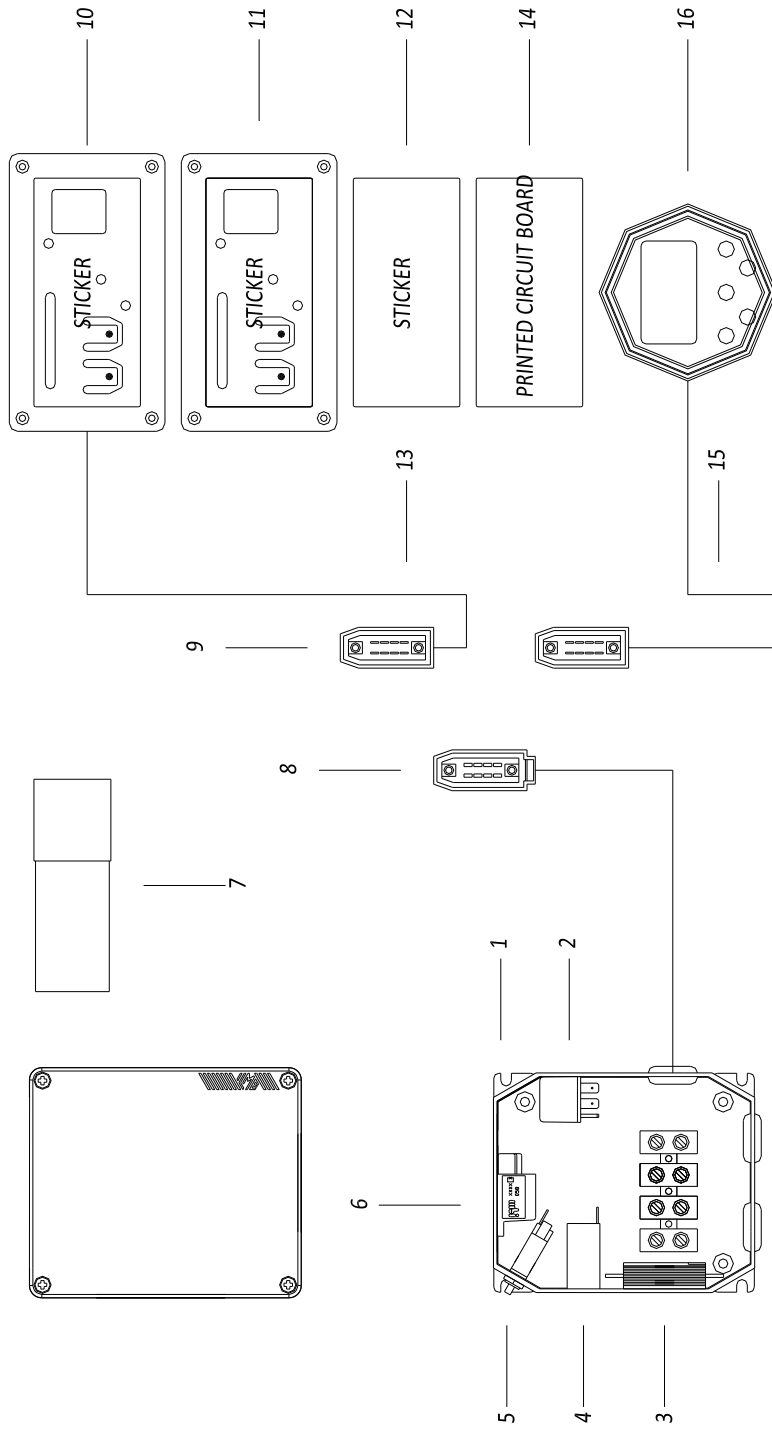




PAGURO - SPARE PARTS CATALOGUE
PAGURO 14000 - TAB.1

| NO. | CODE: | DESCRIPTION | Q.TY |
|------------|-----------------------|---------------------------------------|-------------|
| 1 | AD01LO0003 | ENGINE LDW 3000RPM | 1 |
| 2 | AD40LO9543069 | EXHAUST MANIFOLD P14 | 1 |
| 3 | AD23SS0003 | SWITCH, TEMPERATURE EXHAUST SINGLE | 1 |
| 4 | AD03ZA0006 | ROTOR P14 | 1 |
| 5 | AD40CU0005 | ROTOR BEARING P14 | 1 |
| 6 | AD12VE0011-00 | COOLING FAN P6/9/14/18 | 1 |
| 7 | AC07ZA0003-00 | STATOR COMPLETE P14 | 1 |
| 8 | AC05ZA0006 | ALTERNATOR P14 | 1 |
| 9 | AD16RAR817X23 X1.5 | WASHER | 1 |
| 10 | AD13O0292C | CLOSING PLUG3/8 | 1 |
| 11 | AD12ST0017-01 | L-BRACKET EMGINE FOR P14/18/8.5 | 1 |
| 12 | AD11FI0001-01 | INTERNAL SHOCK ABSORBER | 4 |
| 13 | AD12ST0003 | U ENGINE FRAME | 1 |
| 15 | AD12ST0151-00 | EXTERNAL FRAME FOR P14 | 1 |
| 16 | AD40LO2032436 | BELL HOUSING | 1 |
| 17 | AD40LO9880938 | FLYWEEL 3000RPM | 1 |

PAGURO - SPARE PARTS CATALOGUE
PAGURO 14000 - TAB.2

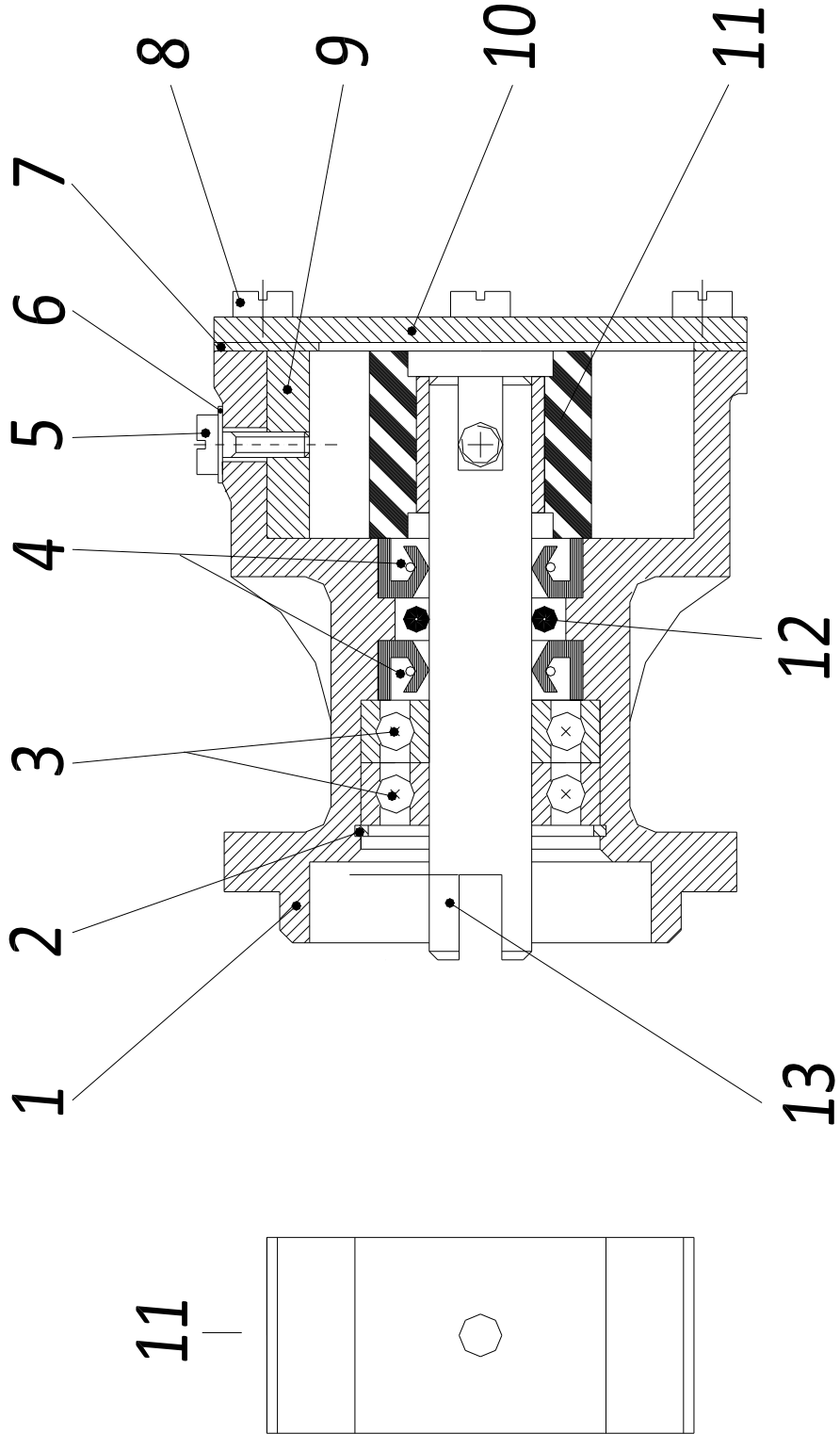




PAGURO - SPARE PARTS CATALOGUE
PAGURO 14000 - TAB.2

| POS. | CODE | DESCRIPTION | Q.TY |
|-------------|---------------|--|-------------|
| 1 | AD08SC0010 | ELECTRICAL PLANT P14/18 | 1 |
| 2 | AD09RE0016 | RELE' | 2 |
| 3 | AD09RS0003 | RESISTOR, R47 | 1 |
| 4 | AD09TR0004 | TRANSFORMER, CURRENT | 1 |
| 5 | AD09AT0005 | TERMO SWITCH | 1 |
| 6 | AD08ID0002 | BATTERY CHARGER REGULATOR | 1 |
| 7 | AD09CO0400 | CAPACITOR | 4 |
| 8 | AD08SC0015 | CONNECTOR, 8 PINS FEMALE | 1 |
| 9 | AD08SC0016 | CONNECTOR, 8 PINS MALE | 1 |
| 10 | AD08DR0001 | REMOTE CONTROL PANEL WITH CABLE (DISCONTINUED) | 1 |
| 11 | AD21CA0100 | COMPLETE PLASTIC BOX WITH LABEL | 1 |
| 12 | AD38AD0012 | STICKER, CONTROL PANEL | 1 |
| 13 | AC30SC0001-00 | CABLE, 15MT | 1 |
| 14 | AD08SC0012 | PRINTED CIRCUIT BOARD (DISCONTINUED) | 1 |
| 15 | AC30SC0002-00 | CABLE, 15MT + ATS25 | 1 |
| 16 | AD08DR0005-00 | CONTROL PANEL ATS- 25 | 1 |

PAGURO - SPARE PARTS CATALOGUE
PAGURO 14000 - TAB.3

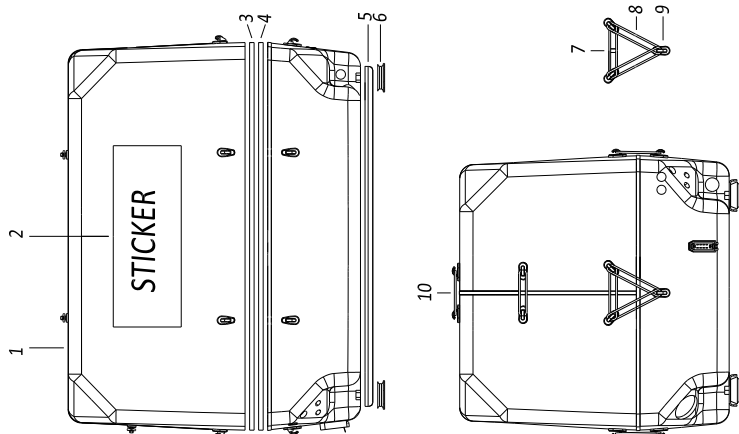
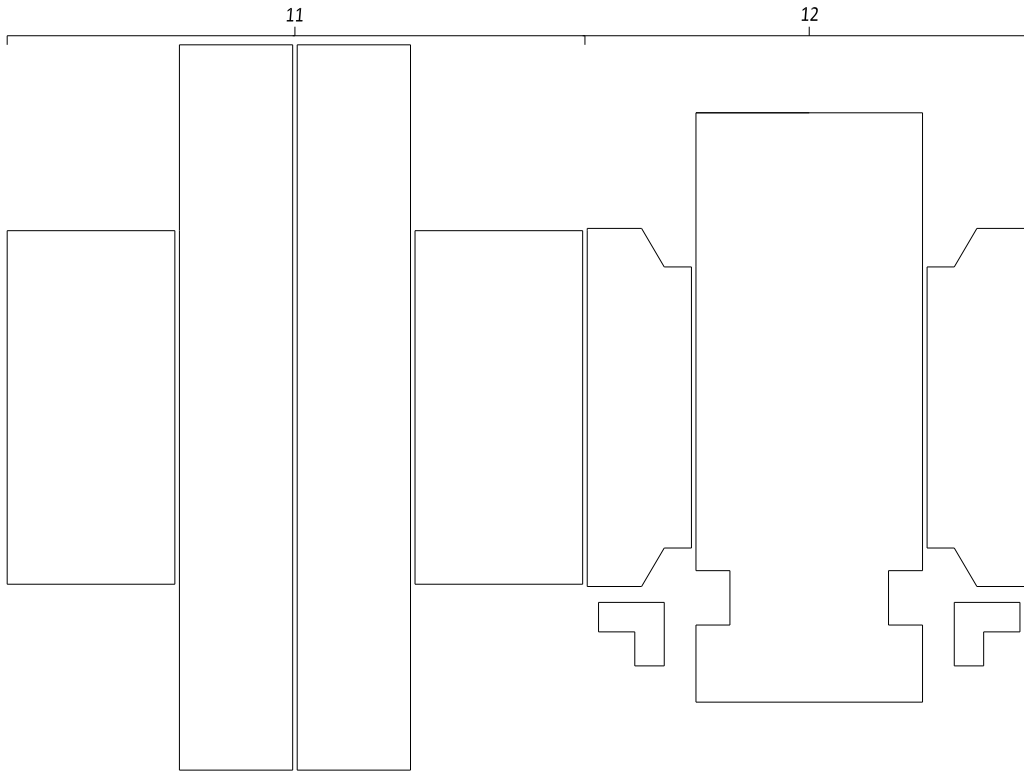




PAGURO - SPARE PARTS CATALOGUE
PAGURO 14000 - TAB.3

| NO. | CODE: | DESCRIPTION | Q.TY |
|------------|--------------|--|-------------|
| 1 | AD40AN4393 | WATER PUMP ST106 LOMBARDINI/PAGURO | 1 |
| 2 | AD40AN2470 | CIRCLIP 28X1.2 | 1 |
| 3 | AD40AN2402 | BALL BEARING 60012RS (12X28X8) | 1 |
| 4 | AD40AN3737 | Lipseal 12x24x7 | 1 |
| 5 | AD40AN5396 | SCREW M4x8 FOR COG FIXING | 1 |
| 6 | ADHA0001-00 | COPPER WASHER 4X8 | 1 |
| 7 | AD40AN2521 | GASKET FOR WATER PUMP COVER | 1 |
| 8 | AD40AN233 | SCREW FOR WATER PUMP 4X8 | 1 |
| 9 | AD40AN2381 | CAM PLATE FOR WATER PUMP | 1 |
| 10 | AD40AN2380 | WATER PUMP COVER | 1 |
| 11 | AD40AN3823 | WATER PUMP IMPELLER (Ø 12.00 10 BLADES) | 1 |
| 12 | AD40AN1092 | O-RING 3403 DI. 10.78X2.62 | 1 |
| 13 | AD40AN4394 | WATER PUMP SHAFT ST106 P LOMB. | 1 |

PAGURO - SPARE PARTS CATALOGUE
PAGURO 14000 - TAB.4

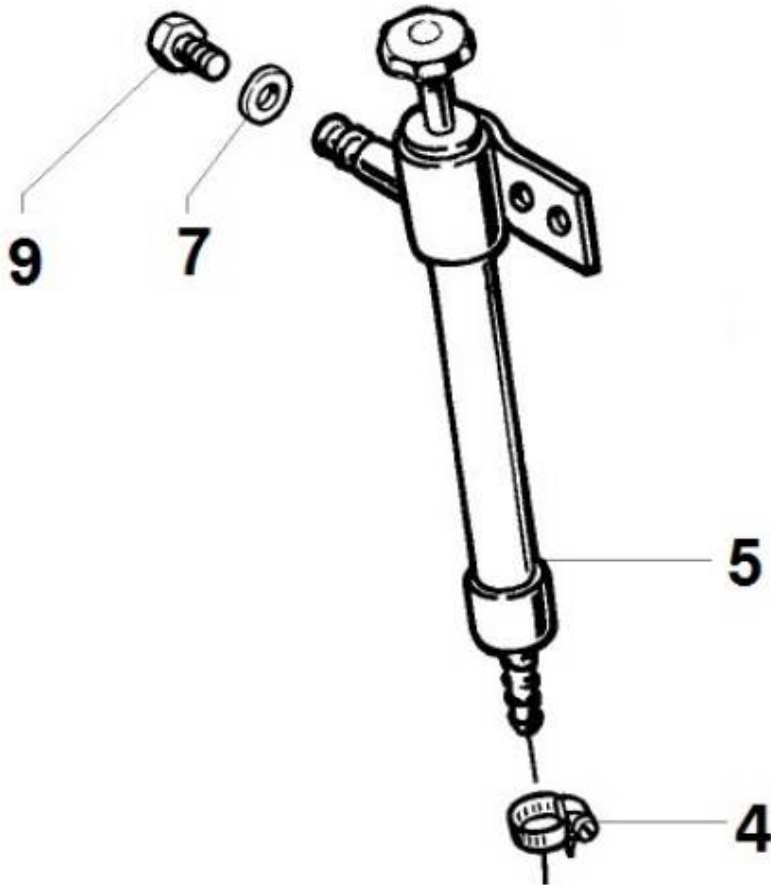




PAGURO - SPARE PARTS CATALOGUE
PAGURO 14000 - TAB.4

| NO. | CODE: | DESCRIPTION | Q.TY |
|------------|---------------|------------------------------------|-------------|
| 1 | AC10SB0006 | CAPSULE PAGURO 14000 | 1 |
| 2 | AD38AD0024 | CAPSULE ADHESIVE WAVE P14 SCA | 1 |
| 2 | AD38AD0025 | CAPSULE ADHESIVE WAVE P14 ASP | 1 |
| 3 | AD18MT0004 | MOUSSE 14X8 | 1 |
| 4 | AD19GI0001 | COVER PLATES 20/60 | 1 |
| 5 | AD12ST0014 | EXTERNAL BRACKET P14 | 1 |
| 5 | AD12ST0015 | EXTERNAL BRACKET P14 | 1 |
| 6 | AD11FI0005 | EXTERNAL SHOCK ABSORBER | 4 |
| 7 | AD21BL0001 | CLOSING RUBBER STRIP LID | 6 |
| 8 | AD21BL0002 | CLOSING RUBBER STRIP BOT | 8 |
| 9 | AD23TR0001 | HOOK FOR CAPSULE | 22 |
| 10 | AD18MT0004 | MOUSSE 14X8 | 1 |
| 11 | AC12MT0005-00 | INSULATION FOAM CAPSULE P14 LID | 1 |
| 12 | AC12MT0006-00 | INSULATION FOAM CAPSULE P14 BOT | 1 |

PAGURO - SPARE PARTS CATALOGUE
PAGURO 14000 - PUMP FOR OIL EXTRACTION

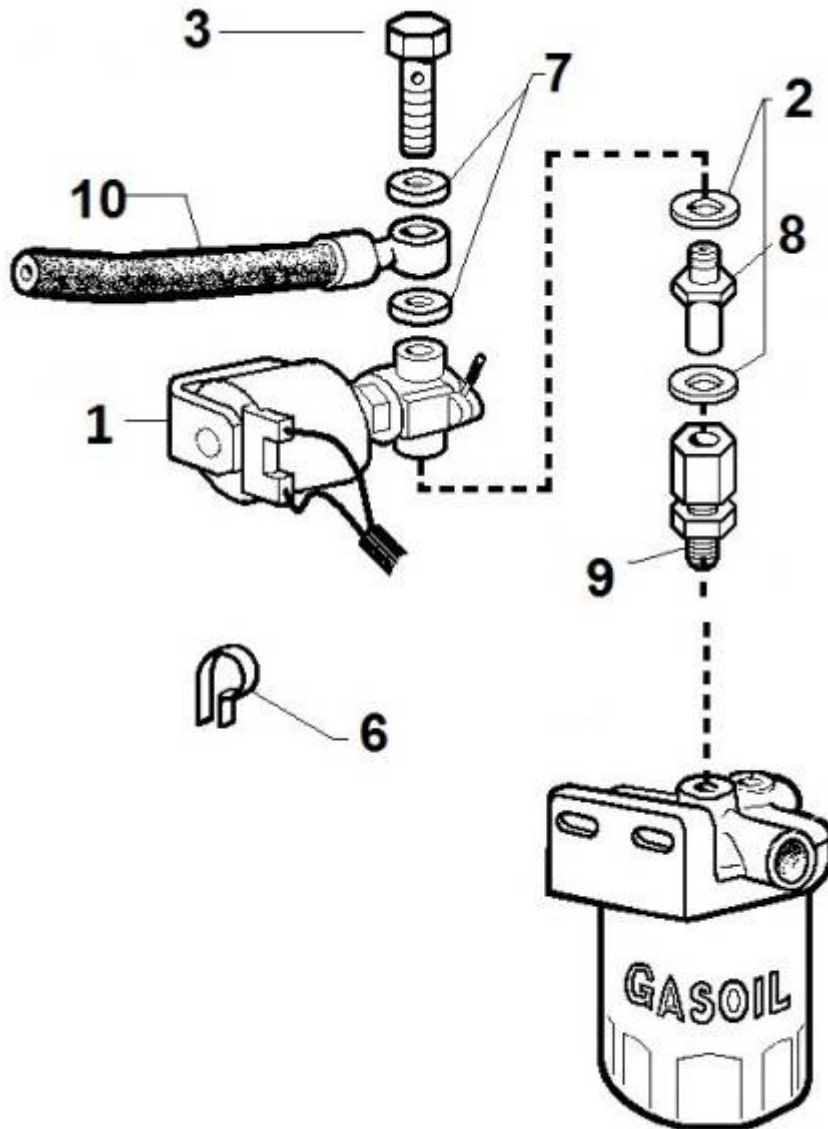




PAGURO - SPARE PARTS CATALOGUE
PAGURO 14000 - PUMP FOR OIL EXTRACTION

| NO. | CODE: | DESCRIPTION | Q.TY |
|------------|---------------|------------------------------------|-------------|
| 4 | AD40LO3630129 | CLAMP | 1 |
| 5 | AD40LO6595021 | OIL EXTRACTION PUMP FOR LMG4000 | 1 |

PAGURO - SPARE PARTS CATALOGUE
PAGURO 14000 - ELECTROVALVE

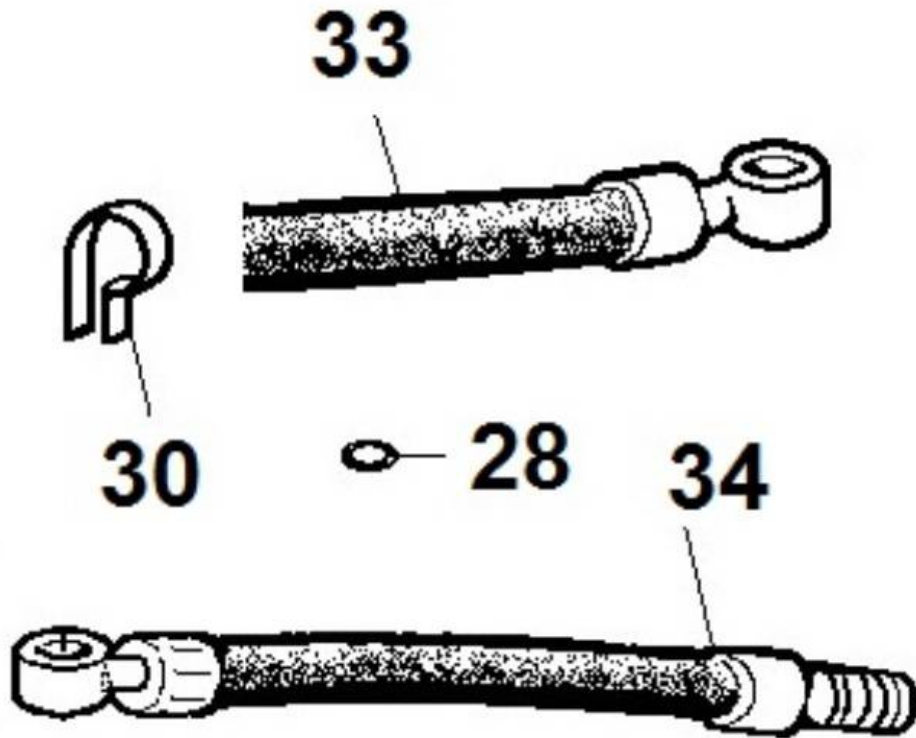




PAGURO - SPARE PARTS CATALOGUE
PAGURO 14000 - ELECTROVALVE

| NO. | CODE: | DESCRIPTION | Q.TY |
|-----|---------------|---|------|
| 1 | AD40LO3587197 | SOLENOID VALVE WITH MANUAL RESET DEVICE | 1 |
| 2 | AD40LO4670059 | COPPER WASHER D14/10.2 1 | 3 |
| 3 | AD40LO1901115 | BOLT | 1 |
| 6 | AD40LO3630170 | CLAMP G11 | 1 |
| 7 | AD40LO4670061 | COPPER WASHER D19/14.2 1.5 THK | 1 |
| 8 | AD40LO7330314 | UNION FOR EL. STOP | 1 |
| 9 | AD40LO7330315 | JOINT | 1 |
| 10 | AD40LO9375748 | FUEL PIPE | 1 |

PAGURO - SPARE PARTS CATALOGUE
PAGURO 14000 - FUEL LINES

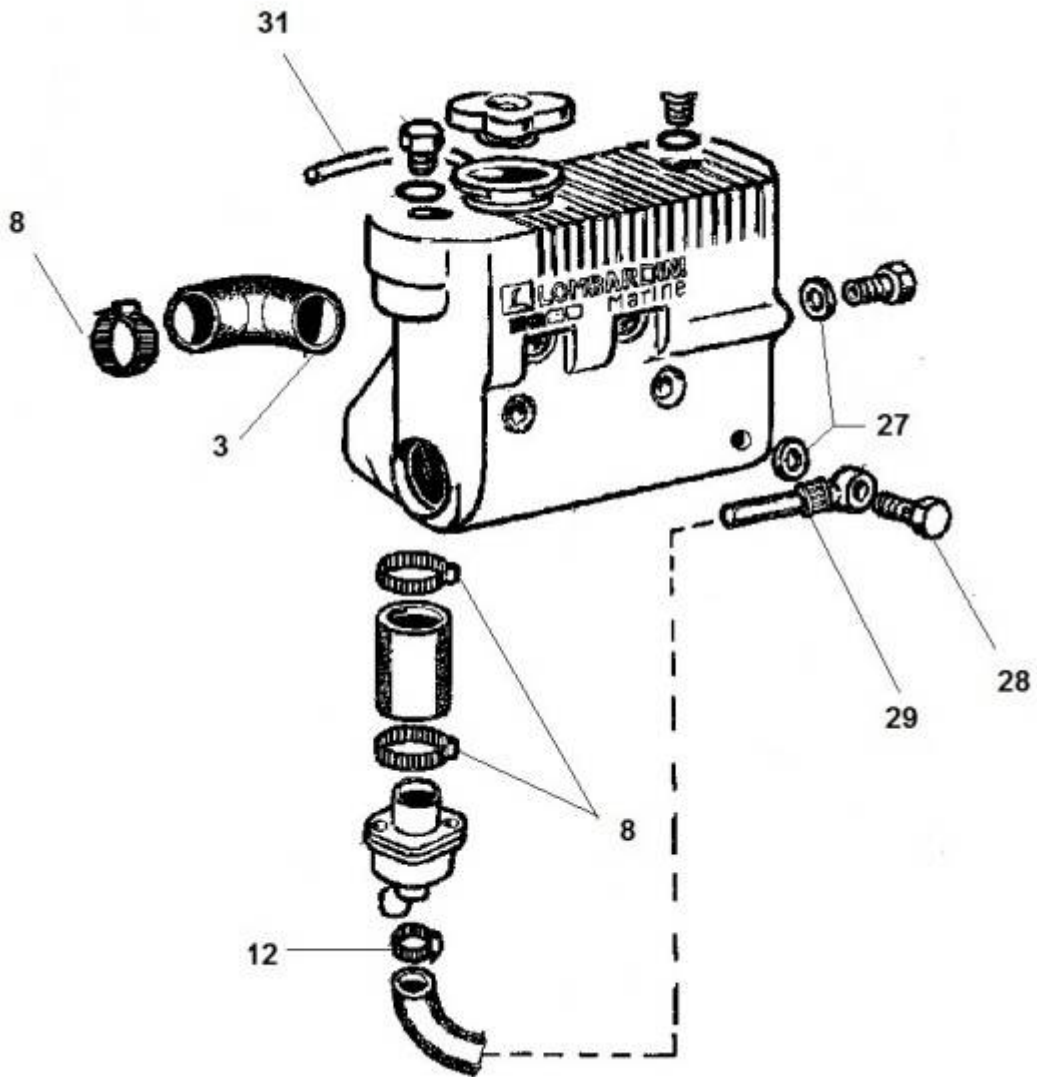




PAGURO - SPARE PARTS CATALOGUE
PAGURO 14000 - FUEL LINES

| NO. | CODE: | DESCRIPTION | Q.TY |
|------------|---------------|------------------------------|-------------|
| 28 | AD40LO4670059 | COPPER WASHER D14/10.2 1. | 2 |
| 30 | AD40LO3630170 | CLAMP G11 | 1 |
| 33 | AD40LO9375748 | FUEL PIPE | 1 |
| 34 | AD40LO9375750 | FUEL RECIRCULATION PIPE | 1 |

PAGURO - SPARE PARTS CATALOGUE
PAGURO 14000 - HOSES FOR WATER COOLER

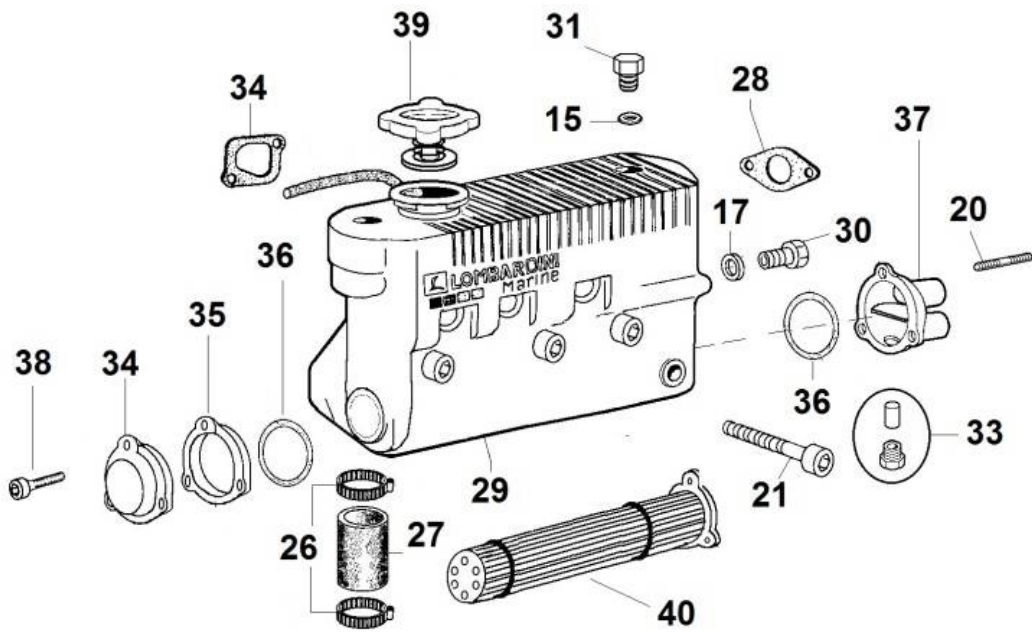




PAGURO - SPARE PARTS CATALOGUE
PAGURO 14000 - HOSES FOR WATER COOLER

| NO. | CODE: | DESCRIPTION | Q.TY |
|------------|---------------|-----------------------------------|-------------|
| 3 | AD40LO9340017 | TUBE | 1 |
| 8 | AD40LO3630128 | CLAMP INOX 30-45 | 2 |
| 12 | AD40LO3630129 | CLAMP | 1 |
| 13 | AD40LO9305100 | WATER HOSE | 1 |
| 27 | AD40LO4670061 | COPPER WASHER D19/14.2 1.5 THK | 2 |
| 28 | AD40LO1901119 | BOLT | 1 |
| 39 | AD40LO9580045 | TUBE | 1 |

PAGURO - SPARE PARTS CATALOGUE
PAGURO 14000 - COOLANT RADIATOR

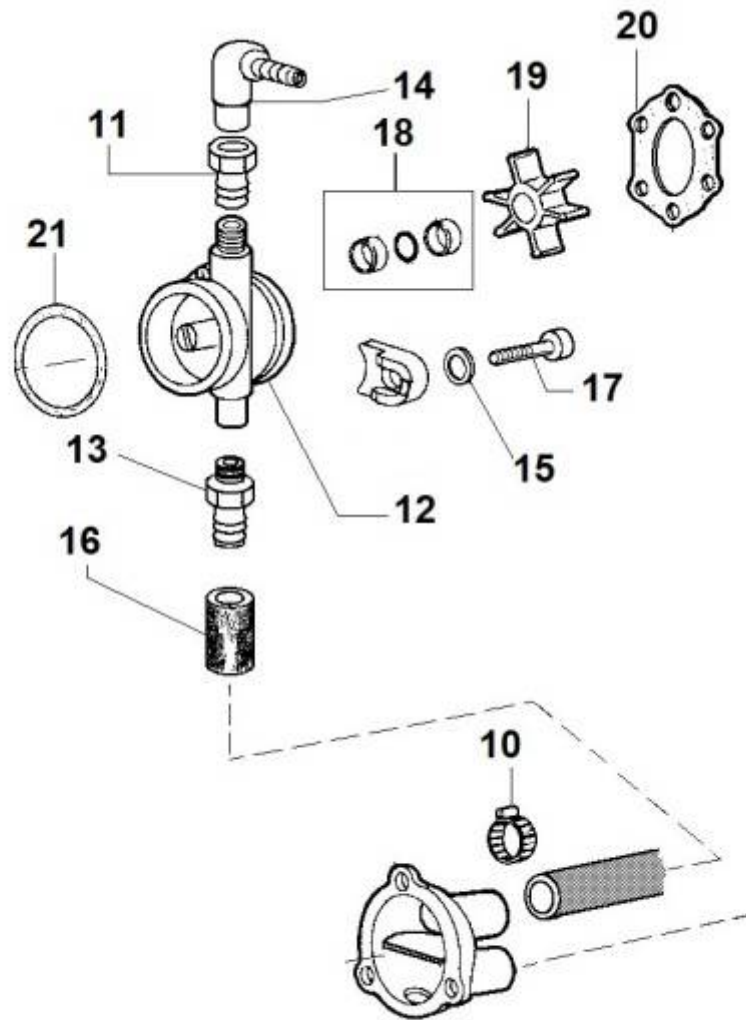




PAGURO - SPARE PARTS CATALOGUE
PAGURO 14000 - COOLANT RADIATOR

| NO. | CODE: | DESCRIPTION | Q.TY |
|-----|----------------------------------|-----------------------------------|-------|
| 17 | AD40LO4670061 | COPPER WASHER D19/14.2 1.5 THK | 1 |
| 20 | AD40LO6780142 | STUD BOLT | 2 |
| 21 | AD40LO9730221 | SCREW | 6 |
| 26 | AD40LO3630128 | CLAMP INOX 30-45 | 2 |
| 27 | AD40LO9602072 | TUBE | 1 |
| 28 | AD40LO4500102 | GASKET | 1 |
| 29 | AD40LO7350440 (AD40LO7350243) | RADIATOR LDW1003 MARINE BLACK | 1 |
| 33 | AD40LO9080215 | PLUG, ZINC ANODE | 1 |
| 34 | AD40LO4420070 | EXHAUST MANIFOLD GASKET | 2/3/4 |
| 35 | AD40LO3527570 | SPACER FOR RAD. FOCS | 1 |
| 36 | AD40LO1200265 | SEALING ORING | 4 |
| 37 | AD40LO2655030 | FRONT COVER | 1 |
| 38 | AD40LO9730211 | SCREW | 3 |
| 39 | AD40LO9000114 | CAP | 1 |
| 40 | AD40LO9340034 | TUBE NEST | 1 |
| 43 | AD40LO9040037 | CAP | 1 |
| 48 | AD40LO9080220 | PLUG FOR EXCHANGER 1/8" GAS | 1 |
| 49 | AD40LO4670059 | COPPER WASHER D14/10.2 1 | 1 |

PAGURO - SPARE PARTS CATALOGUE
PAGURO 14000 - COOLANT PUMP



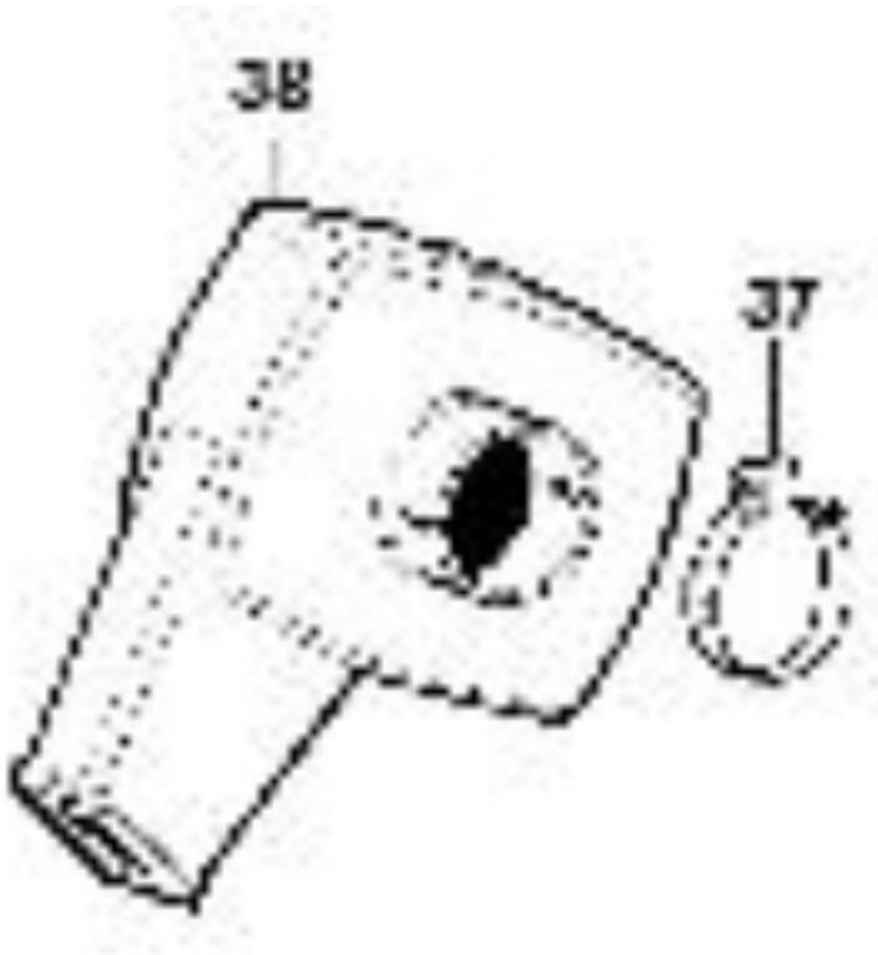


PAGURO - SPARE PARTS CATALOGUE
PAGURO 14000 - COOLANT PUMP

| NO. | CODE: | DESCRIPTION | Q.TY |
|------------|---------------|--------------------|-------------|
| 10 | AD40LO3630111 | CLAMP | 2 |
| 11 | AD40LO5953072 | NIPPLE | 1 |
| 12 | AD40LO6584510 | PUMP, SEA WATER | 1 |
| 13 | AD40LO7330245 | CONNECTOR | 1 |
| 14 | AD40LO7330284 | CONNECTOR | 1 |
| 15 | AD40LO7625209 | WASHER | 2 |
| 16 | AD40LO9602170 | TUBE | 1 |
| 17 | AD40LO9730220 | SCREW | 2 |
| 18 | AD40LO8150028 | ORING KIT | 1 |
| 19 | AD40LO4200204 | IMPELLER | 1 |
| 20 | AD40LO4775498 | GASKET | 1 |
| 21 | AD40LO1200233 | ORING 40,95X2,62 U | 1 |



PAGURO - SPARE PARTS CATALOGUE
PAGURO 14000 - AIR FILTER

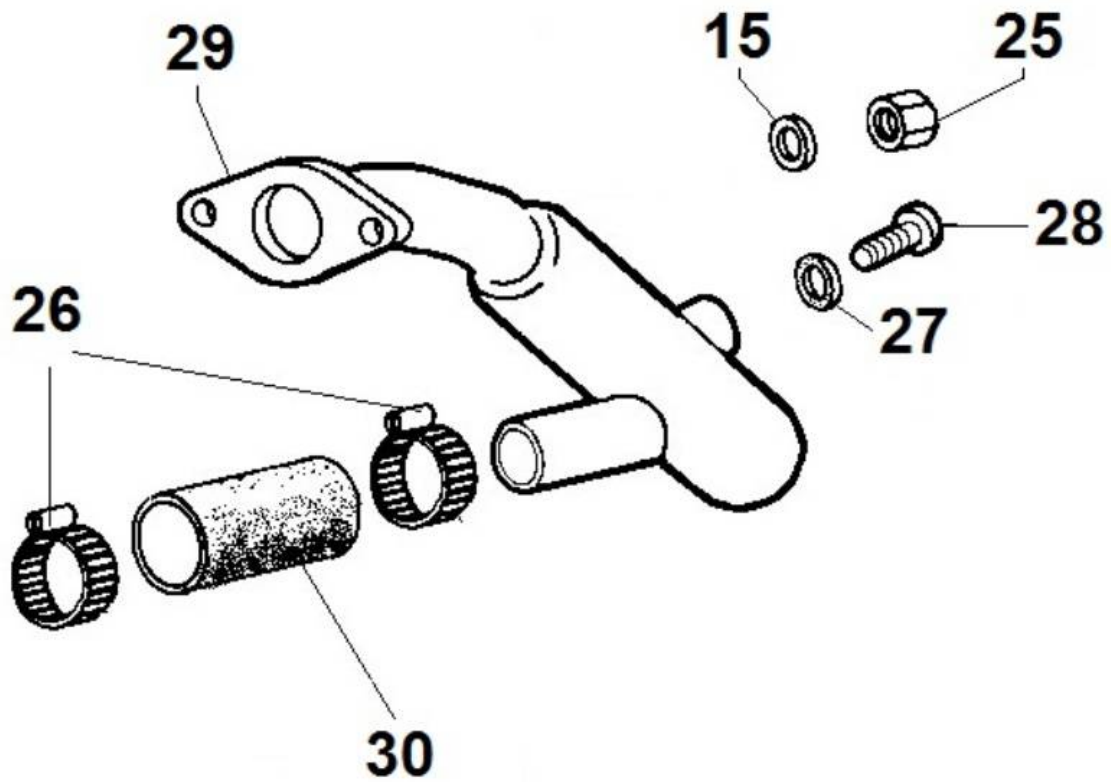




PAGURO - SPARE PARTS CATALOGUE
PAGURO 14000 - AIR FILTER

| NO. | CODE: | DESCRIPTION | Q.TY |
|------------|---------------|---------------------|-------------|
| 37 | AD40LO3630152 | CLAMP D.60 INOX | 1 |
| 38 | AD40LO3700333 | COMPLETE AIR FILTER | 1 |

PAGURO - SPARE PARTS CATALOGUE
PAGURO 14000 - EXHAUST GAS ACCESSORIES

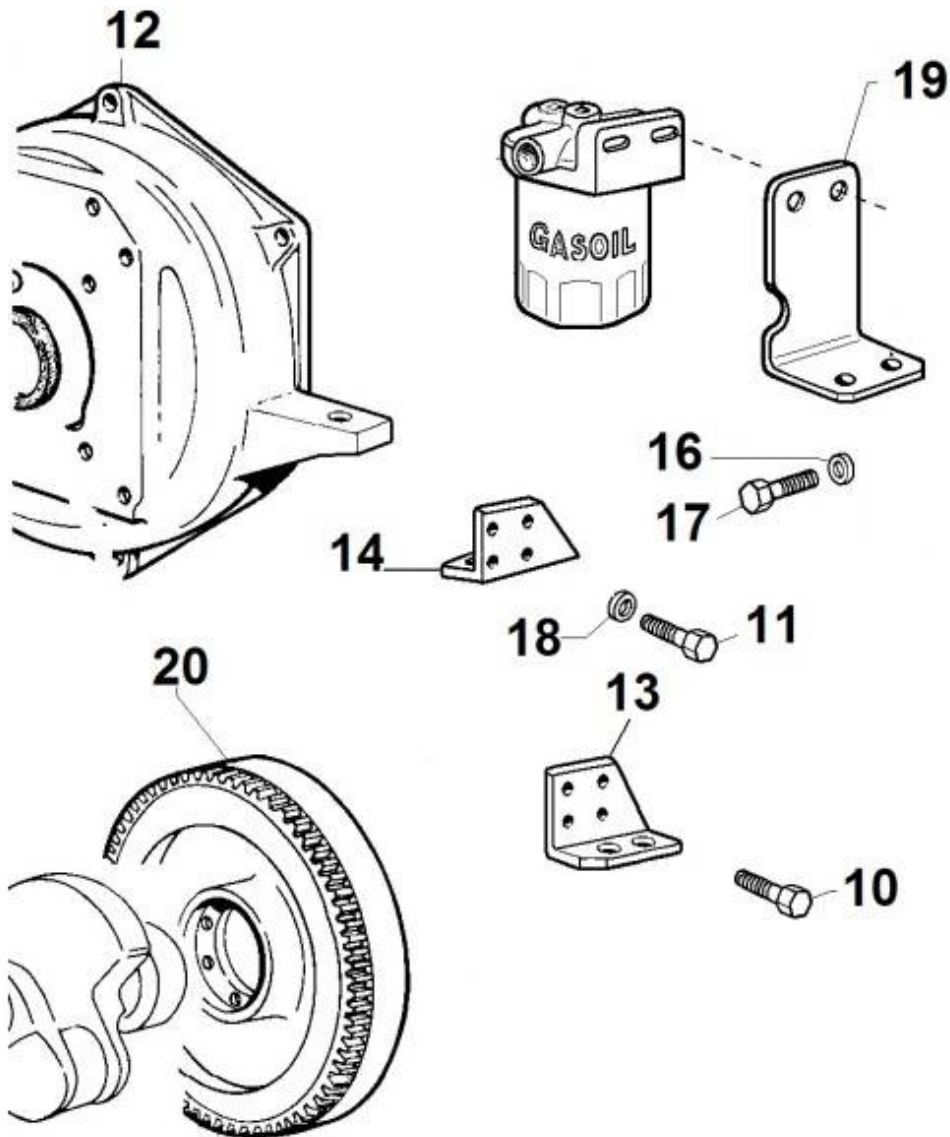




PAGURO - SPARE PARTS CATALOGUE
PAGURO 14000 - EXHAUST GAS ACCESSORIES

| NO. | CODE: | DESCRIPTION | Q.TY |
|-----|---------------|-----------------------------------|------|
| | AD40LO9040037 | CAP | 1 |
| 15 | AD40LO7565048 | WASHER | 2 |
| 25 | AD40LO3240140 | NUT M8X1,25-5588 AISI 304 | 2 |
| 26 | AD40LO3630111 | CLAMP | 2 |
| 27 | AD40LO4670061 | COPPER WASHER D19/14.2 1.5 THK | 1 |
| 29 | AD40LO9543069 | RISER | 1 |
| 30 | AD40LO9602100 | TUBE | 1 |

PAGURO - SPARE PARTS CATALOGUE
PAGURO 14000 - 1st PTO ACCESSORIES

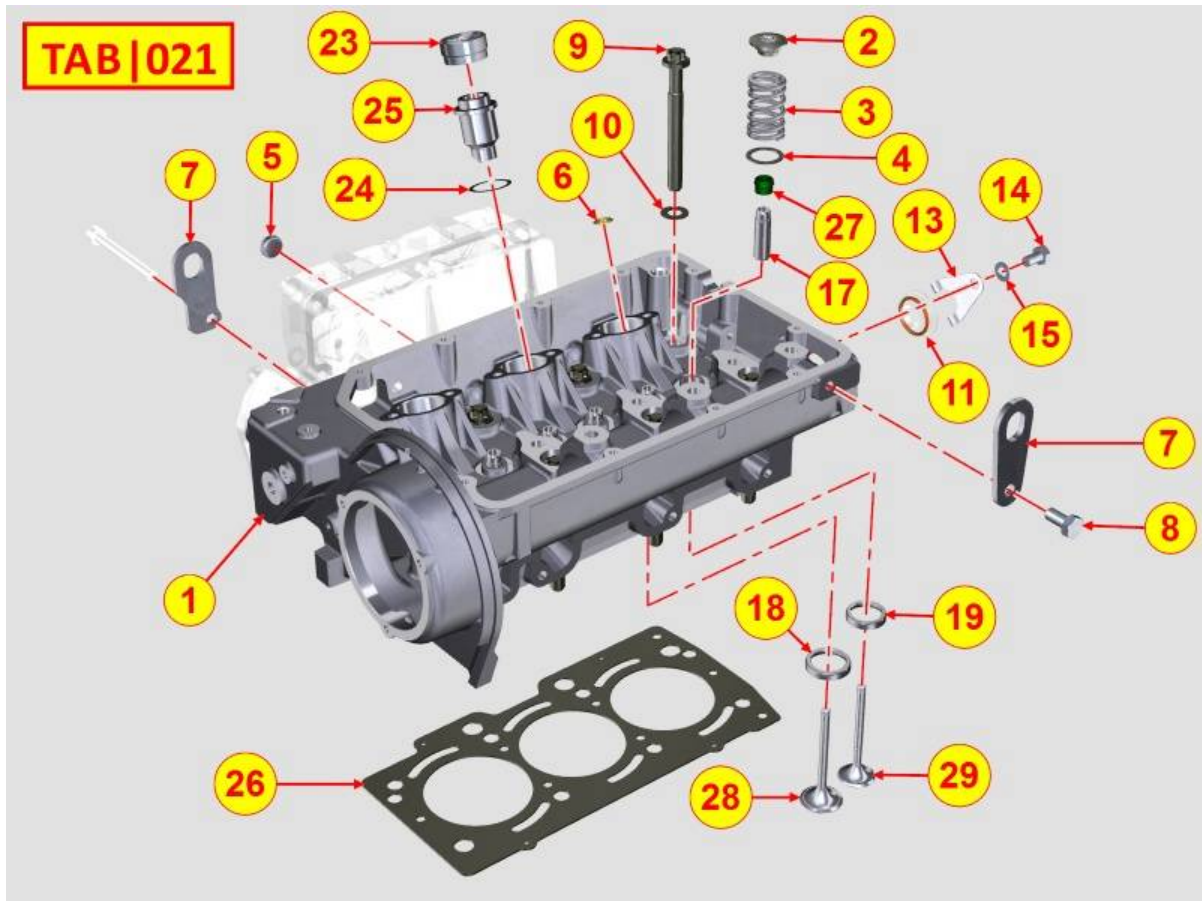




PAGURO - SPARE PARTS CATALOGUE
PAGURO 14000 - 1st PTO ACCESSORIES

| NO. | CODE: | DESCRIPTION | Q.TY |
|-----|----------------------------------|--|------|
| | AD40LO9880938 | Flywheel Assly for SAE 7" 1/2" | 1 |
| | AD40LO2816088 | RING GEAR | 1 |
| 10 | AD40LO1770124 | SCREW | 7 |
| 11 | AD40LO1790037 | BOLT N10 | 8 |
| 12 | AD40LO2032315 | SAE 5 BELL HOUSING | 1 |
| 12 | AD40LO2032436 | BELL GREY | 1 |
| 13 | AD40LO6429561 (AD40LO6429350) | ENG.BRACK.BELL SIDE AND MOT.MGVOLPI GREY | 1 |
| 14 | AD40LO6429562 (AD40LO6429351) | ENG.BRACK.BELL SIDE AND MOT.MGVOLPI GREY | 1 |
| 16 | AD40LO7565013 | SP. WASHER S C10 | 8 |
| 17 | AD40LO1770123 | SCREW | 2 |
| 18 | AD40LO7565013 | SP. WASHER S C10 | 2 |
| 20 | AD40LO9880938 | Flywheel Assly for SAE 7" 1/2" | 1 |

PAGURO - SPARE PARTS CATALOGUE
PAGURO 14000 - CYLINDER HEAD

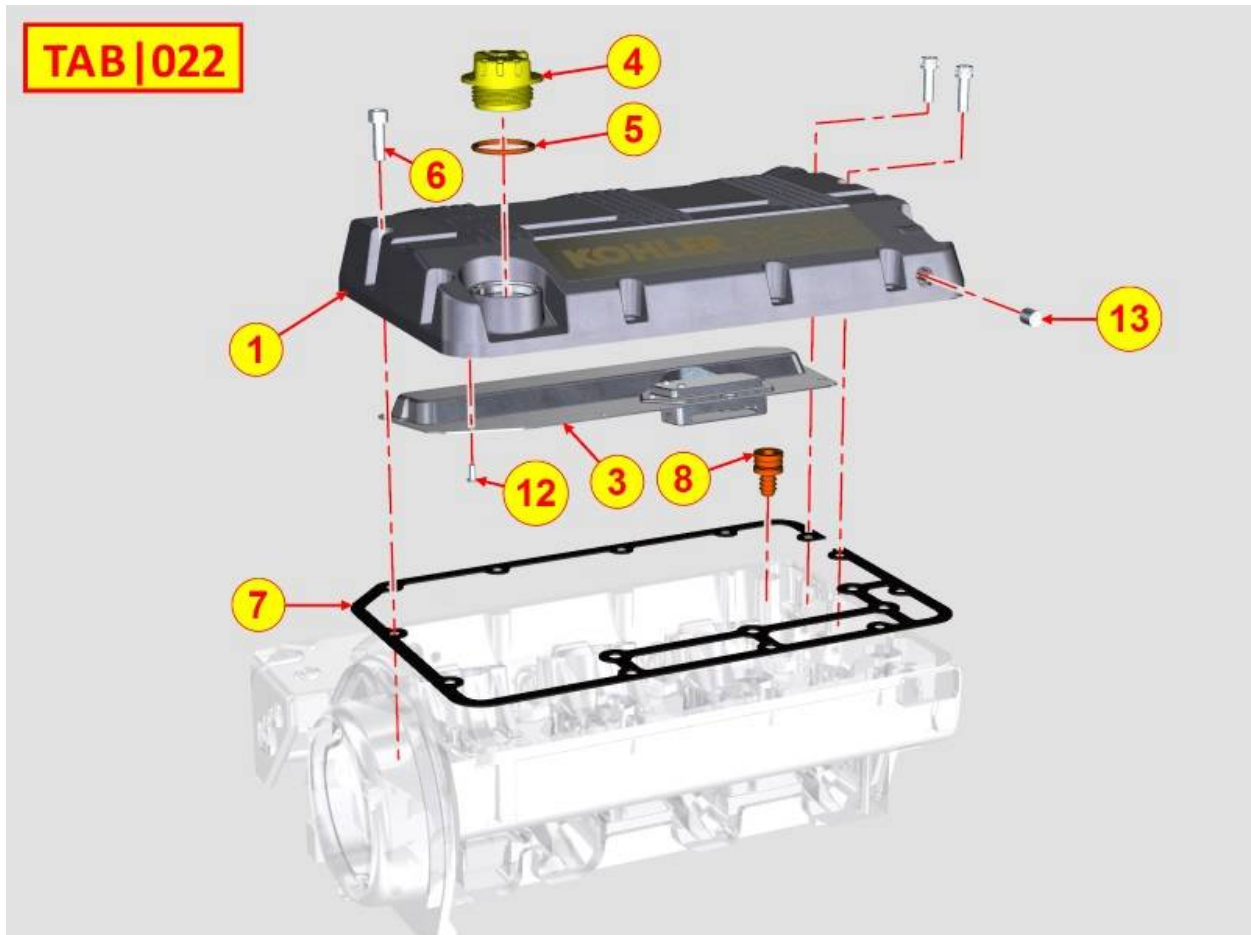




PAGURO - SPARE PARTS CATALOGUE
PAGURO 14000 - CYLINDER HEAD

| NO. | CODE: | DESCRIPTION | Q.TY |
|------------|---------------|---|-------------|
| 5 | AD40LO8990047 | SHUTTER CAP D18 | 2 |
| 6 | AD40LO5989007 | SPARK ARRESTOR 2.430.190.002 | 3 |
| 7 | AD40LO8545190 | BRACE | 2 |
| 8 | AD40LO1770002 | HEX.HEAD.SCR.M8X16 -5739 | 1 |
| 9 | AD40LO9820222 | TORX BOLT M10X90 FOCS | 8 |
| 10 | AD40LO7625130 | WASHER D19/10.2 1.0 THK | 8 |
| 11 | AD40LO1200081 | ORING 3100 D2000 | 1 |
| 13 | AD40LO5570019 | RETAINER | 1 |
| 14 | AD40LO1770127 | SCREW | 1 |
| 15 | AD40LO7625010 | WASHER D.8X15X1,5 | 1 |
| 17 | AD40LO4845200 | VALVE GUIDE | 6 |
| 18 | AD40LO8000197 | VALVE SEAT INLET | 3 |
| 19 | AD40LO8000211 | VALVE SEAT EXHAUST | 3 |
| 23 | AD40LO4130096 | PRECHAMBER LOCKING NUT | 3 |
| 24 | AD40LO3527517 | PRECHAMBER SPACER | 9 |
| 25 | AD40LO6725070 | COMBUSTION PRECHAMBER | 3 |
| 26 | AD40LO4730004 | HEAD GASKET 1003 THICK.1,43 META. (47308) | 1 |
| 26 | AD40LO4730005 | HEAD GASKET 1003 TH.1,53 STEEL | 1 |
| 26 | AD40LO4730012 | HEAD GASKET 1003 THICK.1,63 META. (47308) | 1 |
| 40 | AD40LO8205108 | HEAD/FUEL SYSTEM GASKET SET | 1 |

PAGURO - SPARE PARTS CATALOGUE
PAGURO 14000 - HEAD COVER



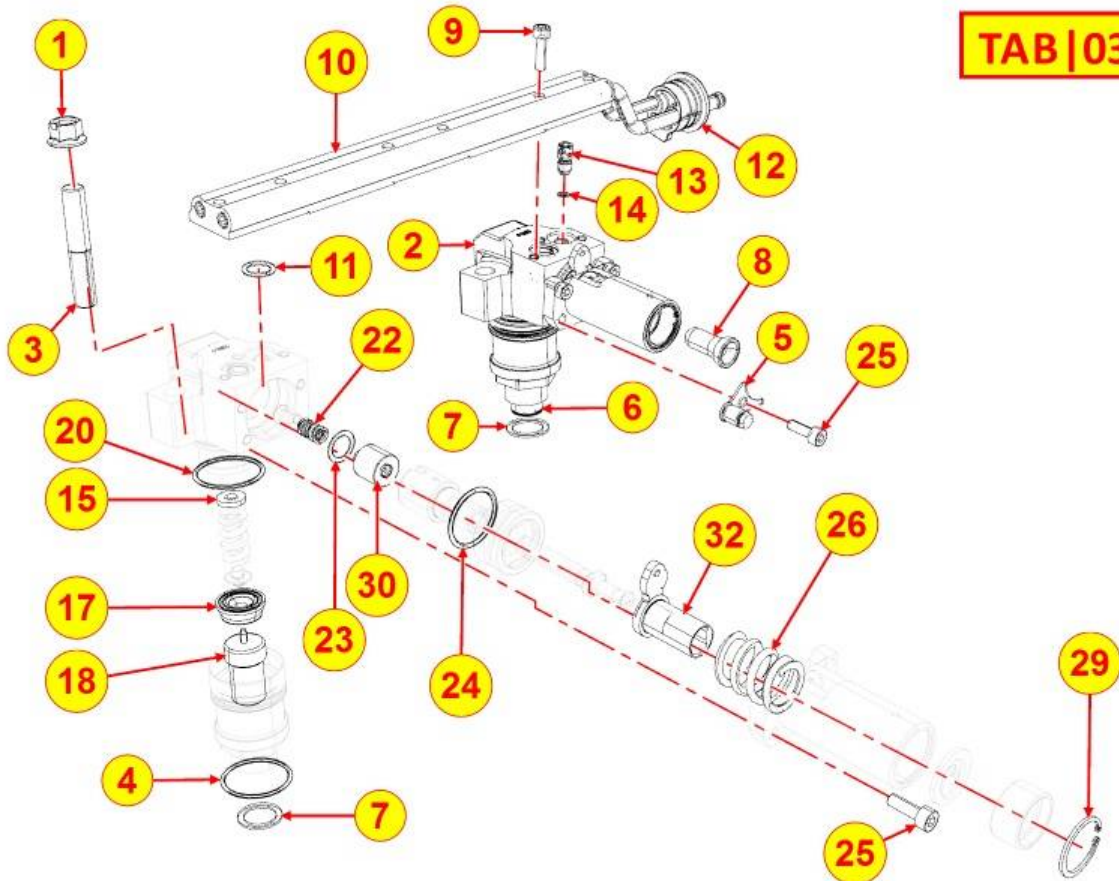


PAGURO - SPARE PARTS CATALOGUE
PAGURO 14000 - HEAD COVER

| NO. | CODE: | DESCRIPTION | Q.TY |
|-----|---------------|--|------|
| 1 | AD40LO2125726 | ROCKER ARM COVER ASSY LDW1003 | 1 |
| 3 | AD40LO5066222 | BREATHING SYSTEM SHEET METAL PLATE KDW 1 | 1 |
| 4 | AD40LO9032093 | OIL FILLING CAP M30X2 | 1 |
| 5 | AD40LO1200082 | ORING D31.89/26.50 2.62 THK | 1 |
| 6 | AD40LO9730416 | SOCKET HEAD SCREW M6X20 WITH DRYLOC | 12 |
| 7 | AD40LO4400102 | ROCKER ARM COVER GASKET | 1 |
| 8 | AD40LO5365122 | COUPLING RUBBER COLLAR. HEAD / COVER | 1 |
| 12 | AD40LO7481054 | RIVET 3.2X8 -1103- 0410 | 9 |
| 13 | AD40LO9080133 | PLUG AVSEAL D8 02961-00810 | 1 |

PAGURO - SPARE PARTS CATALOGUE
PAGURO 14000 - INJECTION SYSTEM

TAB | 030



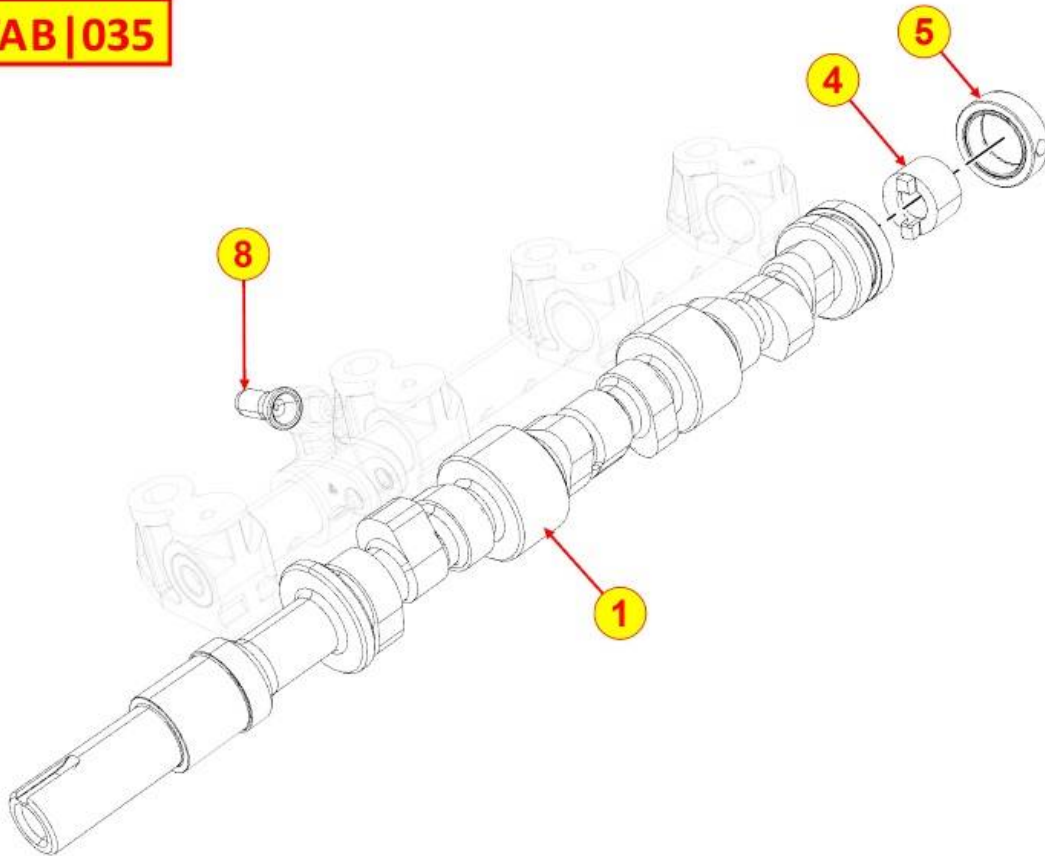


PAGURO - SPARE PARTS CATALOGUE
PAGURO 14000 - INJECTION SYSTEM

| NO. | CODE: | DESCRIPTION | Q.TY |
|------------|---------------------------|---------------------------------------|-------------|
| 1 | AD40LO3240164 | NUT | 6 |
| 2 | AD40LO6590290 | UNIT PUMP INJECTOR | 3 |
| 3 | AD40LO6780203 | Stud M8X30 Fixing Unit Injector Pump | 6 |
| 4 | AD40LO1200213 | ORING 2106 - 26,70 X 1,78 | 2/3/4 |
| 5 | AD40LO6370796 | OVERFUEL SPRING ASSEMBLY PLATE | 1 |
| 7 | AD40LO4670082 | COPPER WASHER 14X19X1 | 3 |
| 9 | AD40LO9730313 | SOCKET HEAD SCREW M4X16 DIN 7984-12.9 | 6 |
| 10 | AD40LO9375995 | FUEL RAIL FOCS 3 CYL | 1 |
| 11 | AD40LO1200286 | ORING 9,25X1,78 | 2 |
| 12 | AD40LO4750014 | GASKET FOR FUEL TUBE COMPLETE | 1 |
| 13 | AD40LO9680041 | REL. VALVE | 2/3/4 |
| 14 | AD40LO4760038 | GASKET | 2/3/4 |
| 15 | AD40LO8335142 | SPACER | 1 |
| 17 | AD40LO3527220 | SPACER | 2/3/4 |
| 18 | AD40LO6531436 | NOZZLE | 2/3/4 |
| 20 | AD40LO1200287 | ORING 25,12X1,78 | 2/3/4 |
| 22 | AD40LO5801274 | SPRING | 2/3/4 |
| 23 | AD40LO4760015 | GASKET | 2/3/4 |
| 24 | AD40LO1200277 | ORING | 2/3/4 |
| 25 | KDISC. (AD40LO9730206) | | 4to12 |
| 26 | AD40LO5755113 | SPRING | 2/3/4 |
| 29 | AD40LO1241009 | SNAP RING | 2/3/4 |
| 30 | AD40LO9672107 | DELIVERY VALVE | 2/3/4 |
| 32 | AD40LO5375017 | C. SLEEVE | 2/3/4 |

PAGURO - SPARE PARTS CATALOGUE
PAGURO 14000 - CAMSHAFT

TAB | 035

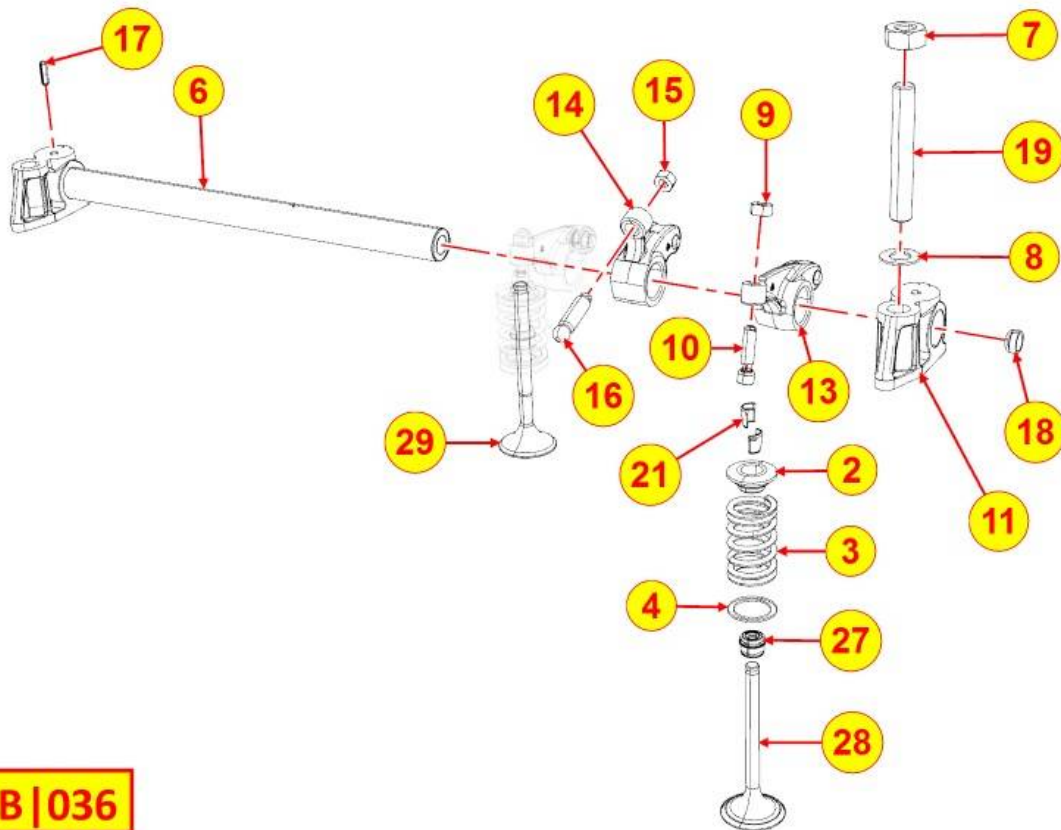




PAGURO - SPARE PARTS CATALOGUE
PAGURO 14000 - CAMSHAFT

| NO. | CODE: | DESCRIPTION | Q.TY |
|------------|---------------|--------------------------|-------------|
| 1 | AD40LO1011632 | CAMSHAFT 1003 | 1 |
| 4 | AD40LO3580035 | ECCENTRIC | 1 |
| 5 | AD40LO1970460 | FEEL PUMP SLEEVE ASSY | 1 |
| 8 | AD40LO1410112 | PUSH ROD | 3 |

PAGURO - SPARE PARTS CATALOGUE
PAGURO 14000 - ROCKER ARMS / VALVES



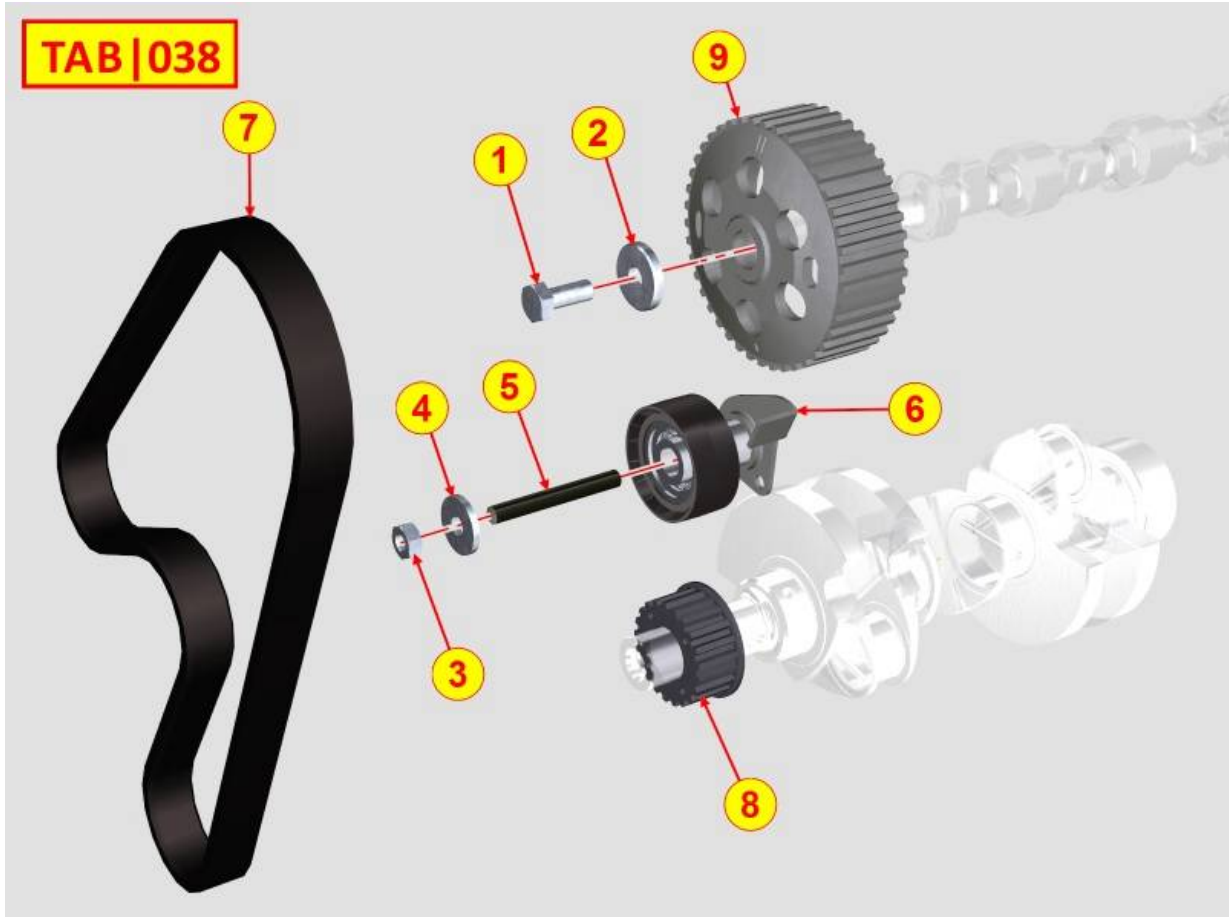
TAB | 036



PAGURO - SPARE PARTS CATALOGUE
PAGURO 14000 - ROCKER ARMS / VALVES

| NO. | CODE: | DESCRIPTION | Q.TY |
|-----|---------------------------|----------------------------------|-------|
| 2 | AD40LO6410017 | RETAINER WITH HALF COLLETTES | 4/6/8 |
| 3 | AD40LO5755137 | VALVE SPRING | 6 |
| 4 | AD40LO7625185 | WASHER D.19X25X1 | 6 |
| 6 | AD40LO6045111 | ROCKER ARM ASSY | 1 |
| 6 | KDISC. (AD40LO6045087) | | 1 |
| 7 | AD40LO3240033 | NUT M10X1,5-UNI.5588-8S+ZN.B | 4 |
| 8 | AD40LO7625130 | WASHER D19/10.2 1.0 THK | 4 |
| 9 | AD40LO3240008 | NUT M6-CI.8 type 1-ISO | 1 |
| 10 | AD40LO9850088 | ADJUSTER SCREW | 1 |
| 11 | AD40LO8615105 | SUPPORT | 4 |
| 13 | AD40LO1541193 | ROCKERARM | 6 |
| 14 | AD40LO1541220 | ROCKERARM | 3 |
| 15 | AD40LO3240151 | NUT M8X1 UNI 5588-8G | 1 |
| 16 | AD40LO9850110 | ADJUSTER SCREW | 1 |
| 17 | AD40LO8430061 | TAPER PIN D10 | 1 |
| 18 | AD40LO9000148 | PLUG D11 | 2 |
| 19 | AD40LO6800088 | STUD 10X45 UNI5914-66 | 4 |
| 21 | AD40LO8057003 | HALF COLLET TRW 083.006.007.00.1 | 12 |
| 27 | AD40LO4535015 | VALVE STEM SEAL | 6 |
| 28 | AD40LO9652157 | INTAKE VALVE | 3 |
| 29 | AD40LO9685150 | EXHAUST VALVE | 3 |

PAGURO - SPARE PARTS CATALOGUE
PAGURO 14000 - TIMING SYSTEM

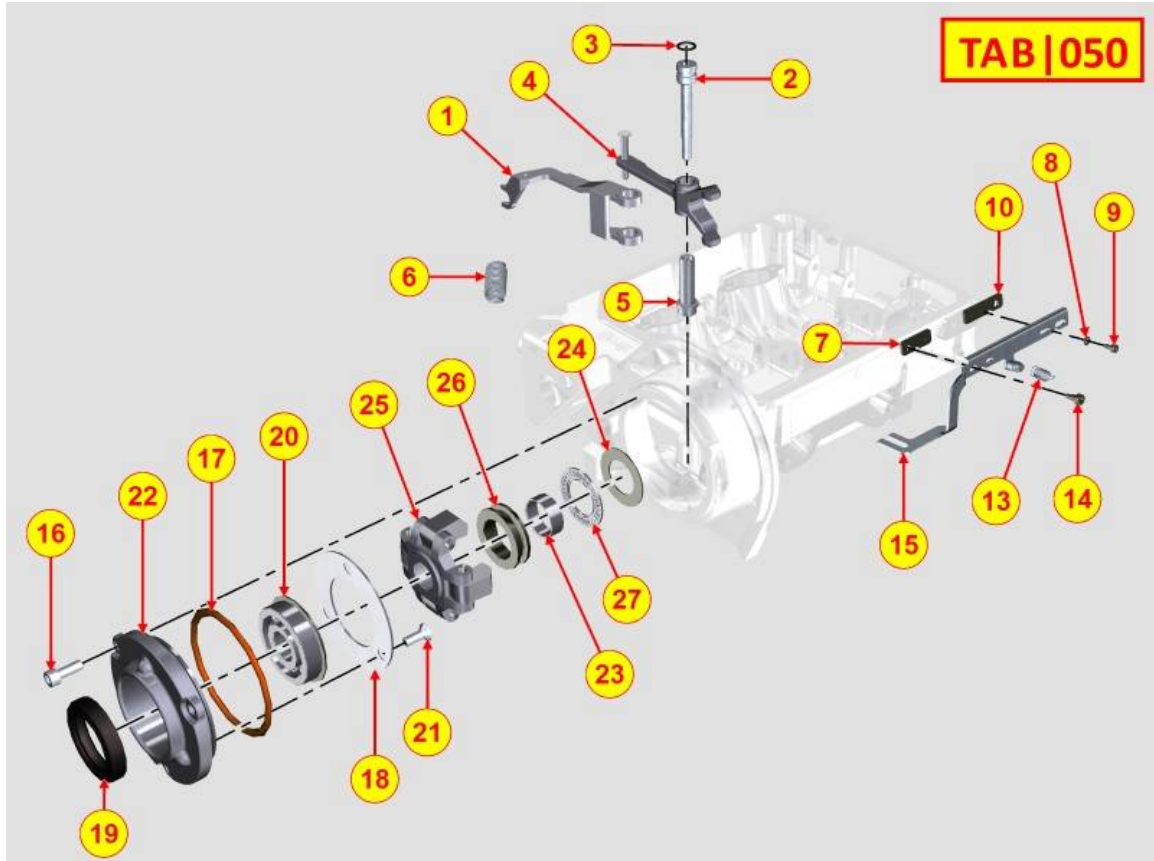




PAGURO - SPARE PARTS CATALOGUE
PAGURO 14000 - TIMING SYSTEM

| NO. | CODE: | DESCRIPTION | Q.TY |
|-----|---------------|----------------------------------|------|
| 1 | AD40LO9820142 | Hex bolt M10x25L, 1.25P | 1 |
| 2 | AD40LO7625045 | WASHER D. 11X33X5 | 1 |
| 3 | AD40LO3240033 | NUT M10X1,5- UNI.5588-8S+ZN.B | 1 |
| 4 | AD40LO7495010 | WASHER D. 10,5X32X4 | 1 |
| 5 | AD40LO6800090 | STUD M10X70RAD. CORTA U | 1 |
| 6 | AD40LO4110009 | BELT TENSIONER | 1 |
| 7 | AD40LO2440338 | TIMING BELT | 1 |
| 8 | AD40LO6975292 | TIMING DRIVING PULLEY | 1 |
| 9 | AD40LO7090012 | TIMING DRIVEN PULLEY | 1 |

PAGURO - SPARE PARTS CATALOGUE
PAGURO 14000 - SPEED GOVERNOR

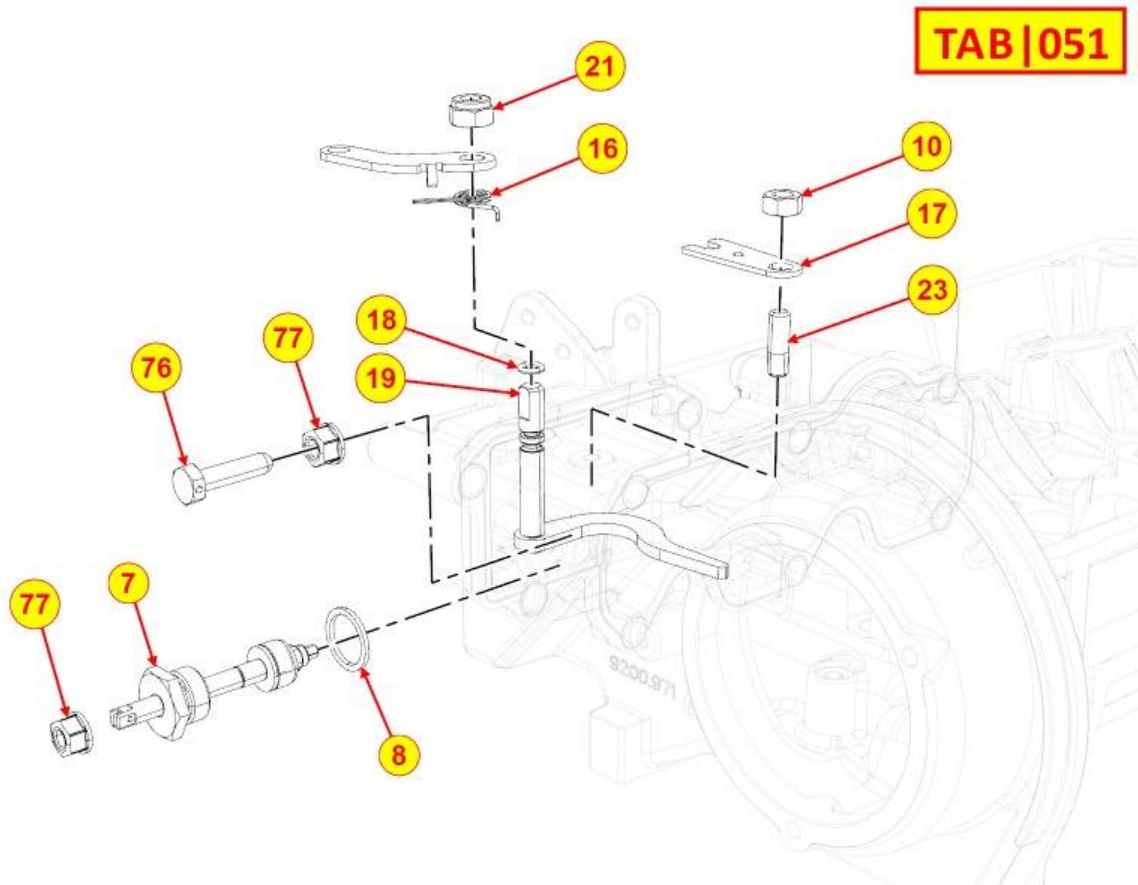




PAGURO - SPARE PARTS CATALOGUE
PAGURO 14000 - SPEED GOVERNOR

| NO. | CODE: | DESCRIPTION | Q.TY |
|------------|---------------------------|-------------------------------------|-------------|
| 1 | AD40LO4896360 | LEVER ASSEMBLY | 1 |
| 2 | AD40LO6110101 | REGULATOR LEVERS JURNAL | 1 |
| 3 | AD40LO1200037 | ORING 110 | 1 |
| 5 | AD40LO1954020 | SLEEVE | 1 |
| 6 | AD40LO5655210 | SPRING 2700/3000 G/1 | 1 |
| 7 | AD40LO6320071 | PLATE | 1 |
| 8 | AD40LO7626037 | WASHER 3,2X6X0.6 | 2/4/6 |
| 9 | AD40LO9732096 | ALLEN SCREW M3X6 UNI5931 12.9 | 4 |
| 10 | KDISC. (AD40LO6320073) | | 2 |
| 12 | KDISC. (AD40LO2675127) | | 1 |
| 13 | AD40LO5655257 | EXTRAFUEL SPRING | 1 |
| 14 | AD40LO9865202 | SPECIAL SCREW FOR PUMP RACK | 2 |
| 15 | AD40LO1380104 | INJECTION PUMP CONNECTING ROD | 1 |
| 16 | AD40LO9730010 | SOC HEAD CAP SCR M6X16L STEEL | 3 |
| 17 | AD40LO1202037 | ORING 3281 SILC. RUBBER | 1 |
| 18 | AD40LO6275166 | SPEED GOVERNOR RETAINER PLATE | 1 |
| 19 | AD40LO1213303 | OIL SEAL 52X35X9 | 1 |
| 20 | AD40LO3001066 | BALL BEARING 6304 NR RADIALE RIG | 1 |
| 21 | AD40LO9800162 | SOC HEAD SCREW M6X16 DRILOC 10.9 | 3 |
| 22 | AD40LO2690294 | SPEED GOVERNOR COVER | 1 |
| 23 | AD40LO1585085 | DU BUSH DIA 25X28X10 | 1 |
| 24 | AD40LO7352063 | TRUST WASHER AS25X42X1 | 1 |
| 25 | AD40LO8805048 | SPEED GOVERNOR ASSY | 1 |
| 26 | AD40LO5401250 | SLEEVE | 1 |
| 27 | AD40LO3110165 | TRUST NEEDLE BEARING AXK2542 | 1 |

PAGURO - SPARE PARTS CATALOGUE
PAGURO 14000 - CONTROLS



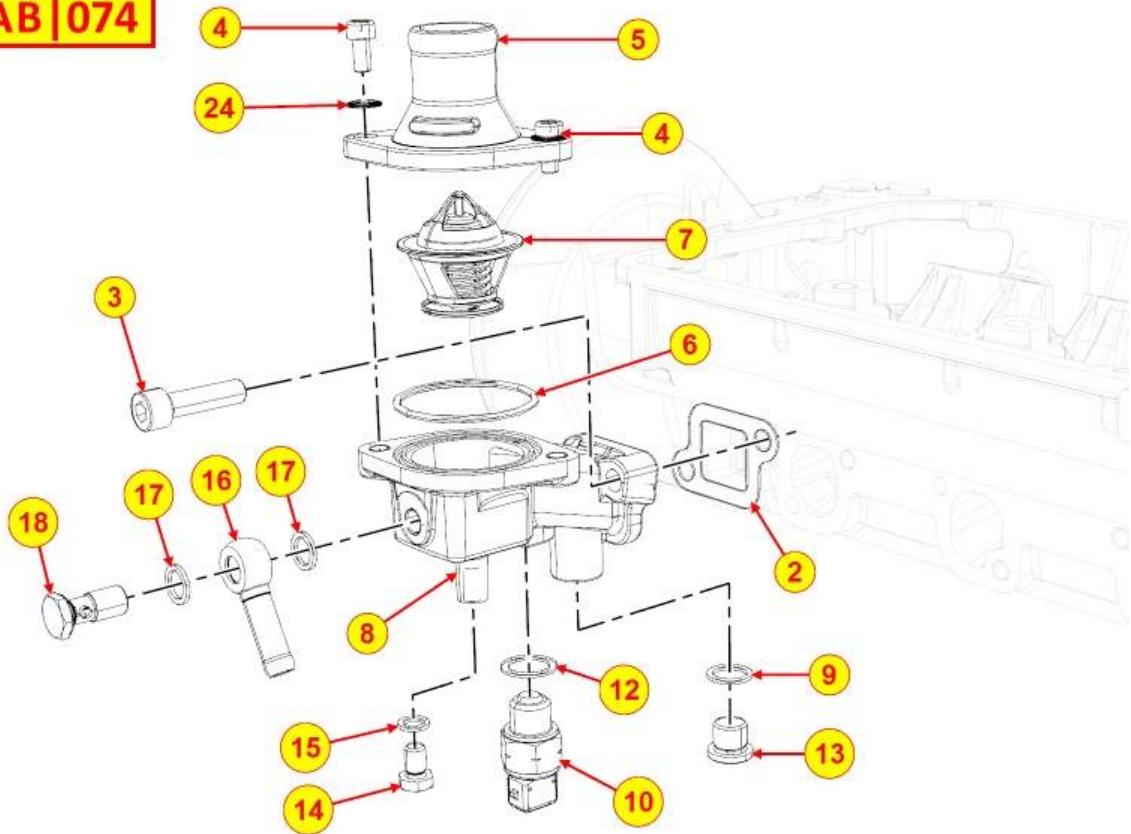


PAGURO - SPARE PARTS CATALOGUE
PAGURO 14000 - CONTROLS

| NO. | CODE: | DESCRIPTION | Q.TY |
|------------|---------------|--|-------------|
| 7 | AD40LO8576138 | TORQUE ADAPTOR FOCS 3000RPM | 1 |
| 8 | AD40LO4480046 | COPPER WASHER 16.2X20X1.5 | 1 |
| 10 | AD40LO3240008 | NUT M6-CI.8 type 1- ISO | 1 |
| 16 | AD40LO5660047 | LEVER SPRING | 1 |
| 17 | AD40LO6275114 | LOCKING STOP LEVER PLATE | 1 |
| 18 | AD40LO1200051 | RING | 1 |
| 19 | AD40LO5200413 | INTERNAL STOP LEVER | 1 |
| 20 | AD40LO5200414 | EXTERNAL STOP LEVER | 1 |
| 21 | AD40LO3203075 | LOCKNUT M.8 h. 8,5 | 1 |
| 23 | AD40LO6760044 | STUD 6X1X10 UNI 5911 | 1 |
| 76 | AD40LO1760128 | SCREW M6 FOR EXTERNAL LEVER SET UP | 1 |
| 77 | AD40LO3240153 | NUT M 6X1 SEAL LOCK | 2 |
| 80 | AD40LO7565004 | SPRING WASHER D11.1/6.1 1.3 TH | 2 |

PAGURO - SPARE PARTS CATALOGUE
PAGURO 14000 - THERMOSTAT UNIT

TAB | 074

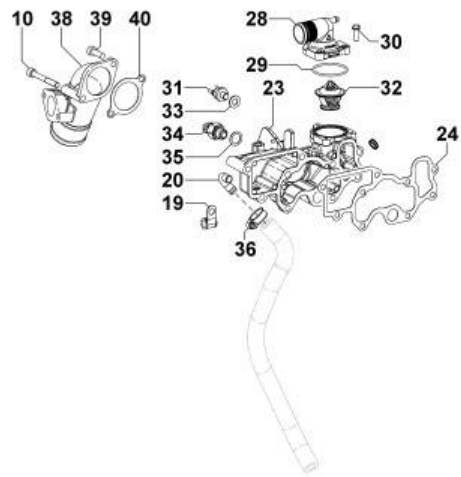
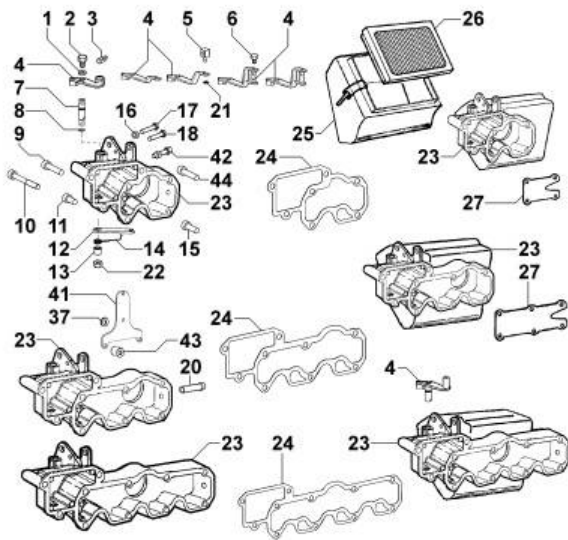




PAGURO - SPARE PARTS CATALOGUE
PAGURO 14000 - THERMOSTAT UNIT

| NO. | CODE: | DESCRIPTION | Q.TY |
|-----|---------------|--------------------------------------|------|
| 2 | AD40LO4460037 | TERMOSTAT BODY GASKET | 1 |
| 3 | AD40LO9732064 | SOC HEAD SCREW M8x30-5931.8G+Zn.B | 2 |
| 4 | AD40LO9732074 | SOC HEAD SCR M8X20L UNI5931 ST | 2 |
| 4 | AD40LO9732084 | SOC HEAD SCR M6X12L UNI5931 ST | 2 |
| 5 | AD40LO2750279 | THERMOSTAT COVER | 1 |
| 6 | AD40LO1200091 | ORING 3193 | 1 |
| 7 | AD40LO9195124 | WATER THERMOSTAT | 1 |
| 8 | AD40LO2871284 | THERMOSTAT BODY | 1 |
| 9 | AD40LO4670061 | COPPER WASHER D19/14.2 1.5 THK | 1 |
| 10 | AD40LO9195108 | THERMIST.- THERMOCONT. F16502 | 1 |
| 12 | AD40LO4670019 | COPPER WASHER D22X16.2 1 | 1 |
| 13 | AD40LO9040012 | OIL DRAIN PLUG M14 | 1 |
| 14 | AD40LO8965034 | PLUG | 1 |
| 15 | AD40LO4670058 | COPPER WASHER 8,2X12X1,5 | 1 |
| 16 | AD40LO7270238 | BANJO UNION | 1 |
| 17 | AD40LO4670059 | COPPER WASHER D14/10.2 1. | 2 |
| 18 | AD40LO1901193 | UNION BOLT M 10 | 1 |

PAGURO - SPARE PARTS CATALOGUE
PAGURO 14000 - AIR INLET MANIFOLD / AIR FILTER

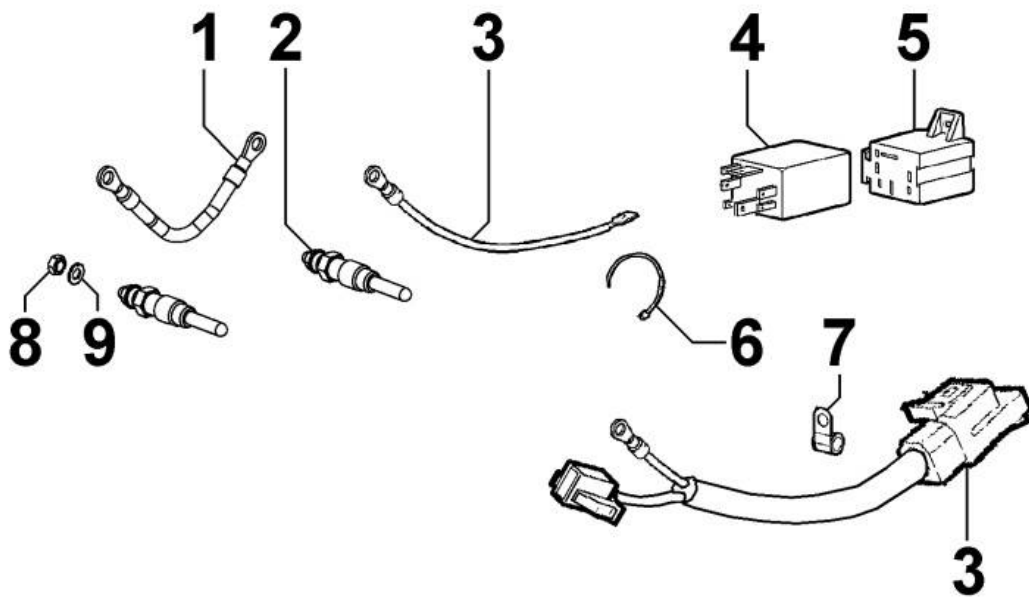




PAGURO - SPARE PARTS CATALOGUE
PAGURO 14000 - AIR INLET MANIFOLD / AIR FILTER

| NO. | CODE: | DESCRIPTION | Q.TY |
|-----|---------------|--------------------------------------|------|
| 1 | AD40LO7625285 | WASHER D.5,3 x D.14x1 | 1 |
| 1 | AD40LO7625380 | WASHER 5,1X14X3 | 1 |
| 2 | AD40LO1755001 | HEX HEAD SCREW M5X8 5739-8G+ZN.B | 1 |
| 2 | AD40LO1755101 | HEX HEAD SCREW M5X10 5739-8G+ZN.B | 1 |
| 4 | AD40LO5201343 | EXTERNAL ACC.LEVER | 1 |
| 7 | AD40LO6140550 | ACCELERATOR LEVER PIN | 1 |
| 8 | AD40LO1200052 | ORING | 1 |
| 10 | AD40LO9730035 | SOC HEAD SCREW M8X65-5931.8G+ZN.B | 1 |
| 11 | AD40LO9732064 | SOC HEAD SCREW M8x30-5931.8G+Zn.B | 3 |
| 12 | AD40LO5200674 | INTERNAL ACCELERATOR LEVER | 1 |
| 13 | AD40LO1957014 | BUSH | 1 |
| 14 | AD40LO5660065 | Spring for accelerator lever | 1 |
| 15 | AD40LO9730032 | SOC HEAD CAP SCR M8X45L 8.8 | 4 |
| 16 | AD40LO3240008 | NUT M6-CI.8 type 1- ISO | 2 |
| 18 | AD40LO1760023 | BOLT | 2 |
| 18 | AD40LO1760029 | HEX HEAD SCREW M6X30-5739-8G+ZN.B | 1 |
| 20 | AD40LO9599157 | PIPE R9599-116 | 1 |
| 22 | AD40LO3203050 | SELF LOCKING NUT M6 X 1 | 1 |
| 23 | AD40LO2486266 | INTAKE MANIFOLD | 1 |
| 24 | AD40LO4420081 | INTAKE MANIFOLD GASKET | 1 |
| 39 | AD40LO9732063 | SOC HEAD CAP SCR M8X35L 8.8 | 1 |

PAGURO - SPARE PARTS CATALOGUE
PAGURO 14000 - GLOW PLUGS / CONTROL UNIT

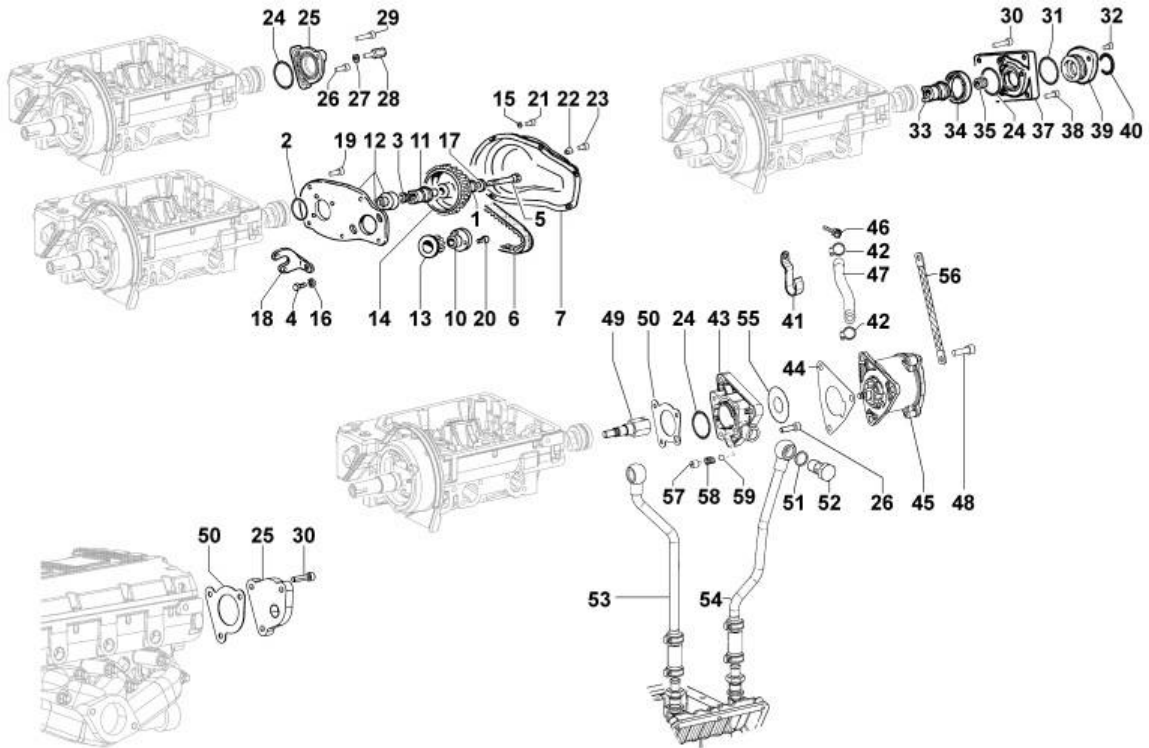




PAGURO - SPARE PARTS CATALOGUE
PAGURO 14000 - GLOW PLUGS / CONTROL UNIT

| NO. | CODE: | DESCRIPTION | Q.TY |
|-----|----------------------------------|-----------------------------------|-------|
| 1 | AD40LO2185548 | CONNECTION CABLE | 2 |
| 2 | AD40LO2100089 (AD40LO2100098) | GLOW PLUG | 3 |
| 6 | AD40LO2471019 | NYLON COLLAR PLT2I-MO 3,6x203 | 1 |
| 8 | AD40LO3240004 (AD40LO3240005) | NUT M5 UNI 5588 6s PG Zinc Pla | 2/3/4 |
| 9 | AD40LO7626066 | WASHER | 2/3/4 |

PAGURO - SPARE PARTS CATALOGUE
PAGURO 14000 - 3rd PTO





PAGURO - SPARE PARTS CATALOGUE
PAGURO 14000 - 3rd PTO

| NO. | CODE: | DESCRIPTION | Q.TY |
|------------|---------------|--|-------------|
| 24 | AD40LO1200233 | ORING 40,95X2,62 | 2 |
| 26 | AD40LO9730416 | SOCKET HEAD SCREW M6X20 WITH DRYLOC | 3 |

PAGURO - SPARE PARTS CATALOGUE
PAGURO 14000 - CRANKSHAFT

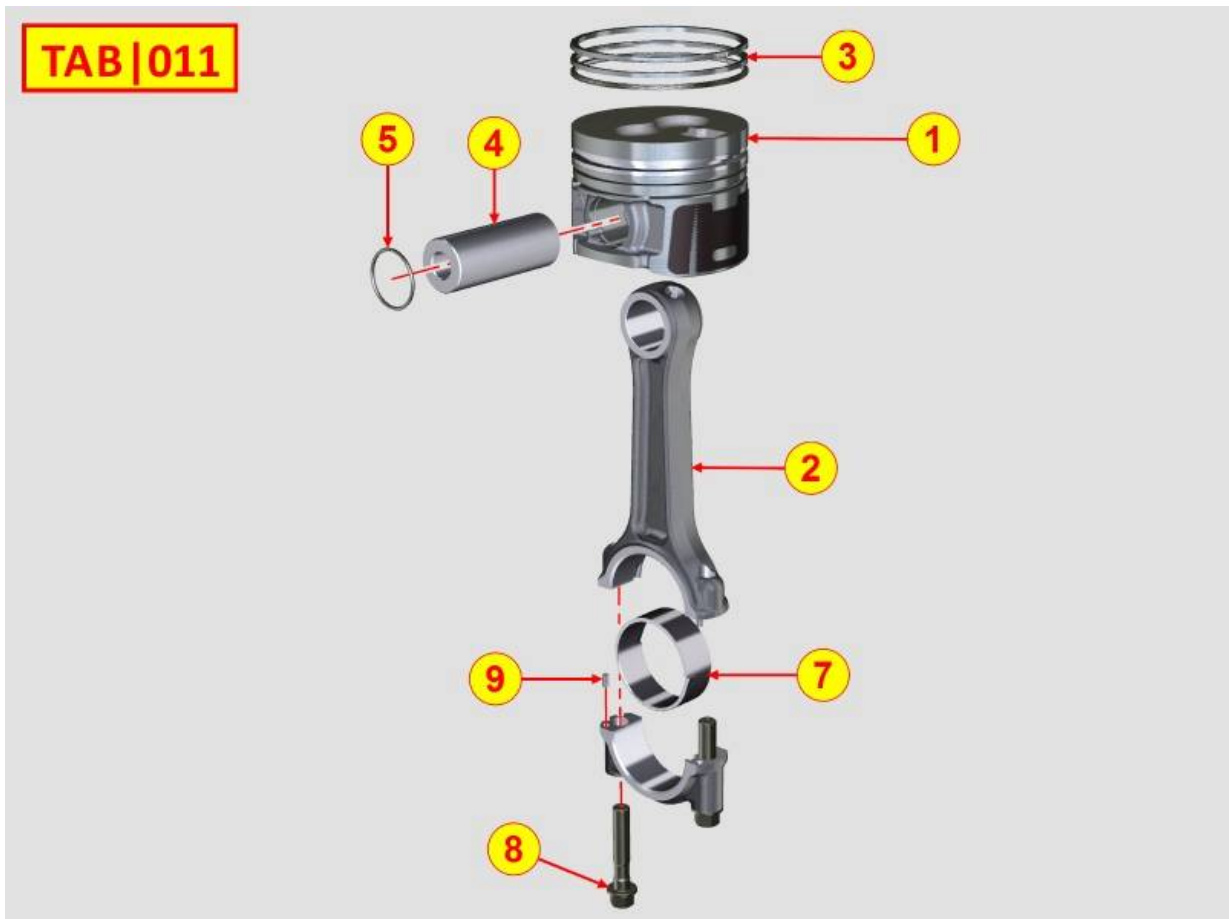




PAGURO - SPARE PARTS CATALOGUE
PAGURO 14000 - CRANKSHAFT

| NO. | CODE: | DESCRIPTION | Q.TY |
|------------|---------------|-------------------------------|-------------|
| 1 | AD40LO1051105 | CRANKSHAFT | 1 |
| 2 | AD40LO8430004 | TAPER PIN 3x12 DIN 1481 | 1 |
| 3 | AD40LO2280119 | KEY 5X4 | 1 |
| 4 | AD40LO9080132 | PLUG AVSEAL D6 02961-00607 | 3 |
| 5 | AD40LO2280149 | KEY FOR OIL PUMP ROTOR 8MM | 1 |

PAGURO - SPARE PARTS CATALOGUE
PAGURO 14000 - PISTON / CONNECTING ROD

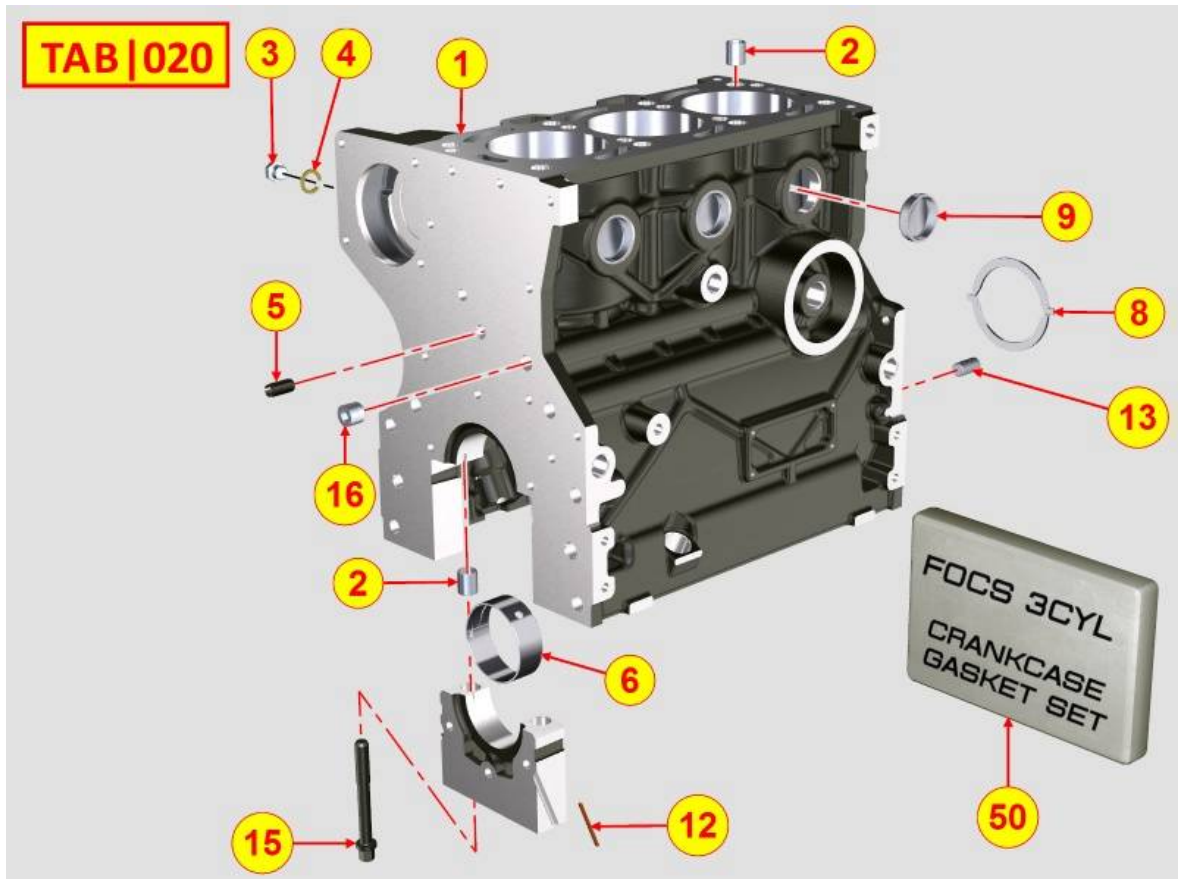




PAGURO - SPARE PARTS CATALOGUE
PAGURO 14000 - PISTON / CONNECTING ROD

| NO. | CODE: | DESCRIPTION | Q.TY |
|------------|---------------|--|-------------|
| 1 | AD40LO6501512 | PISTON SET STD | 3 |
| 1 | AD40LO6501513 | COMPLETE PISTON FOCS 1404 +0,50 | 3 |
| 1 | AD40LO6501514 | COMPLETE PISTON FOCS 1404 +1,00 | 3 |
| 2 | AD40LO1526226 | CONNECTING ROD ASSY | 3 |
| 3 | AD40LO8211248 | RINGS STAND. | 2/3/4 |
| 3 | AD40LO8211249 | SEGMENTS SERIES STD FOCS 1404 +0,50 | 2/3/4 |
| 3 | AD40LO8211250 | SEGMENTS SERIES STD FOCS 1404 +1.00 | 2/3/4 |
| 4 | AD40LO8480081 | PISTON PIN 20X55 f.10,5 | 3 |
| 5 | AD40LO1261099 | PISTON CIRCLIP | 6 |
| 6 | AD40LO1630038 | SMALL END BUSH | 2/3/4 |
| 7 | AD40LO1640116 | BEARING STD | 2/3/4 |
| 7 | AD40LO1640117 | UNDER SIZE CONNECTING ROD - 0,25 | 2/3/4 |
| 7 | AD40LO1640118 | UNDER SIZE CONNECTING ROD - 0,50 | 2/3/4 |
| 8 | AD40LO1770101 | CONROD SCREW FL 8X1X42 R12 | 4/6/8 |

PAGURO - SPARE PARTS CATALOGUE
PAGURO 14000 - CRANKCASE





PAGURO - SPARE PARTS CATALOGUE
PAGURO 14000 - CRANKCASE

| NO. | CODE: | DESCRIPTION | Q.TY |
|-----|---------------|---------------------------------|-------|
| 1 | AD40LO1511271 | LDW1003 CRANKCASE ASSEMBLY | 1 |
| 2 | AD40LO1970140 | CYL DOWEL D13/11 15 LONG | 2 |
| 3 | AD40LO8965048 | HEX PLUG M10X1 F.ZN12I | 1 |
| 4 | AD40LO4670060 | COPPER WASHER | 1 |
| 5 | AD40LO8430105 | ELASTIC DOWEL PIN 8X16 DIN 1481 | 1 |
| 6 | AD40LO1611193 | SUPP.BEARING STD | 3/4/5 |
| 6 | AD40LO1611194 | BEARING -0,25 | 3/4/5 |
| 6 | AD40LO1611195 | BEARING -0,50 | 3/4/5 |
| 8 | AD40LO1257158 | ANELLO SPALLAMENTO STD 1404 | 2 |
| 8 | AD40LO1257159 | THRUST BEARING +0.1 | 2 |
| 8 | AD40LO1257160 | THRUST BEARING +0.2 | 2 |
| 9 | AD40LO8990022 | PLUG D.30 | 4 |
| 12 | AD40LO4400054 | BEARING CUP RUBBER SEAL | 4 |
| 13 | AD40LO8400108 | DOWEL PIN D.10X20 UNI 1707 | 2 |
| 16 | AD40LO9080182 | PLUG AVSEAL D10 02961-01012 | 1 |
| 20 | AD40LO4670059 | COPPER WASHER D14/10.2 1 | 1 |
| 50 | AD40LO8205109 | CRANKCASE GASKET SET | 1 |

PAGURO - SPARE PARTS CATALOGUE
PAGURO 14000 - FLYWHEEL SIDE SUPPORT

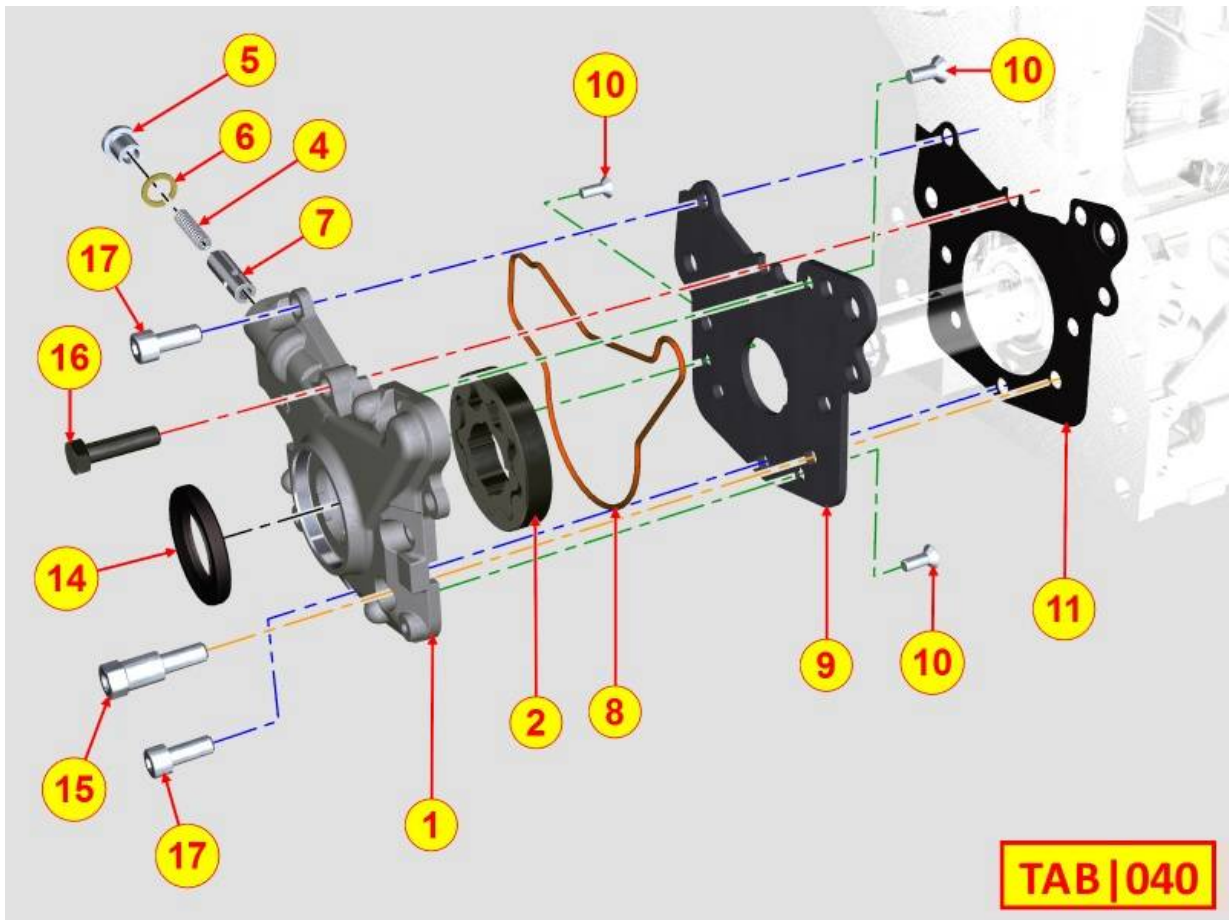




PAGURO - SPARE PARTS CATALOGUE
PAGURO 14000 - FLYWHEEL SIDE SUPPORT

| NO. | CODE: | DESCRIPTION | Q.TY |
|------------|---------------|----------------------------------|-------------|
| 1 | AD40LO3790078 | FLANGE | 1 |
| 2 | AD40LO4501156 | FLYWHEEL FALGE GASKET | 1 |
| 3 | AD40LO9730010 | SOC HEAD CAP SCR M6X16L STEEL | 6 |
| 4 | AD40LO1213347 | OIL SEAL 70X88X8 | 1 |

PAGURO - SPARE PARTS CATALOGUE
PAGURO 14000 - OIL PUMP

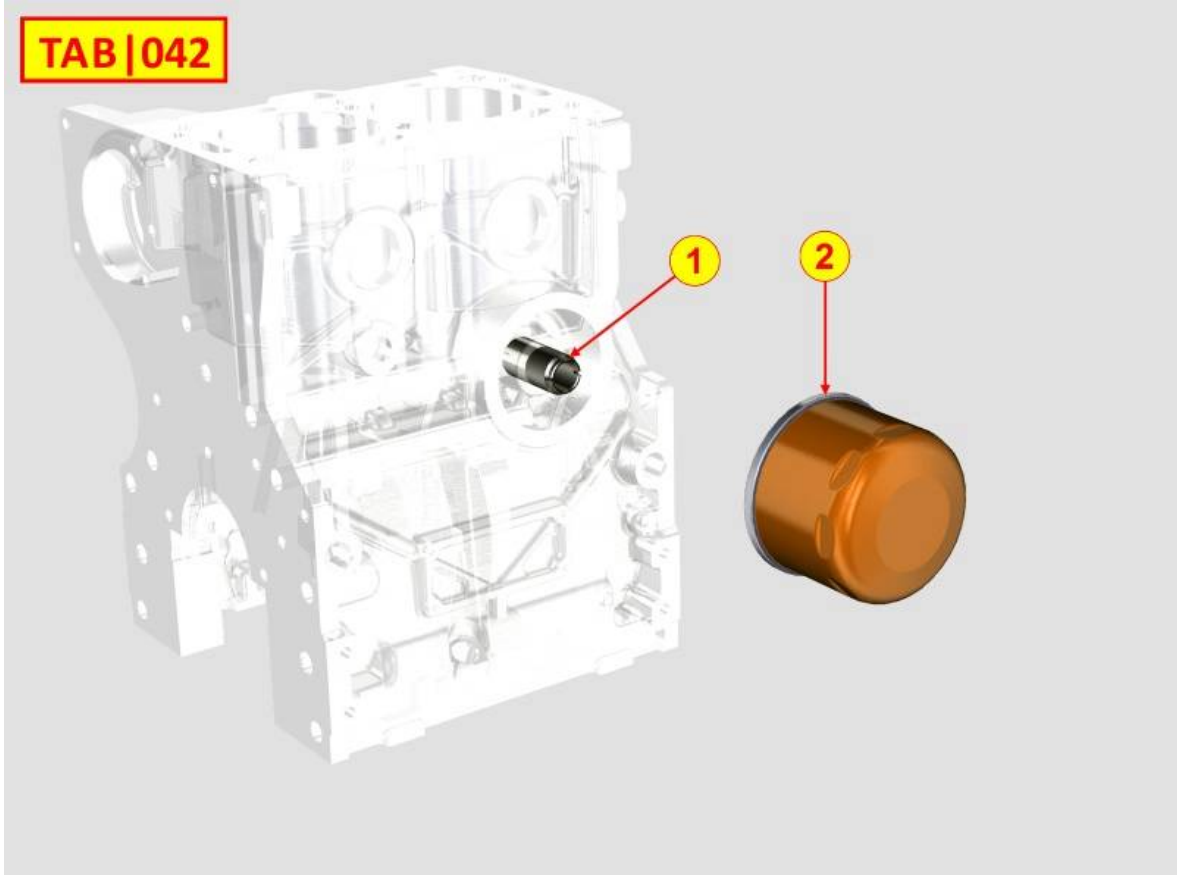




PAGURO - SPARE PARTS CATALOGUE
PAGURO 14000 - OIL PUMP

| NO. | CODE: | DESCRIPTION | Q.TY |
|-----|---------------|--------------------------------|------|
| 1 | AD40LO6605131 | OIL PUMP WITH ROTOR 8MM | 1 |
| 5 | AD40LO9015005 | BY PASS VALVE PLUG | 1 |
| 6 | AD40LO4670060 | COPPER WASHER | 1 |
| 7 | AD40LO6495045 | BY PASS VALVE PISTON | 1 |
| 8 | AD40LO1200292 | OIL PUMP COVER GASKET | 1 |
| 10 | AD40LO9800061 | CAPSCREW | 3 |
| 11 | AD40LO4580216 | OIL PUMP GASKET | 1 |
| 14 | AD40LO1213343 | OIL SEAL 32X50X6 PER AL | 1 |
| 15 | AD40LO9865174 | SPCIAL SCREW | 2 |
| 16 | AD40LO1770007 | HEX SCREW M8X30-5737-8G+ZN.B | 1 |
| 17 | AD40LO9732074 | SOC HEAD SCR M8X20L UNI5931 ST | 6 |

PAGURO - SPARE PARTS CATALOGUE
PAGURO 14000 - OIL FILTER

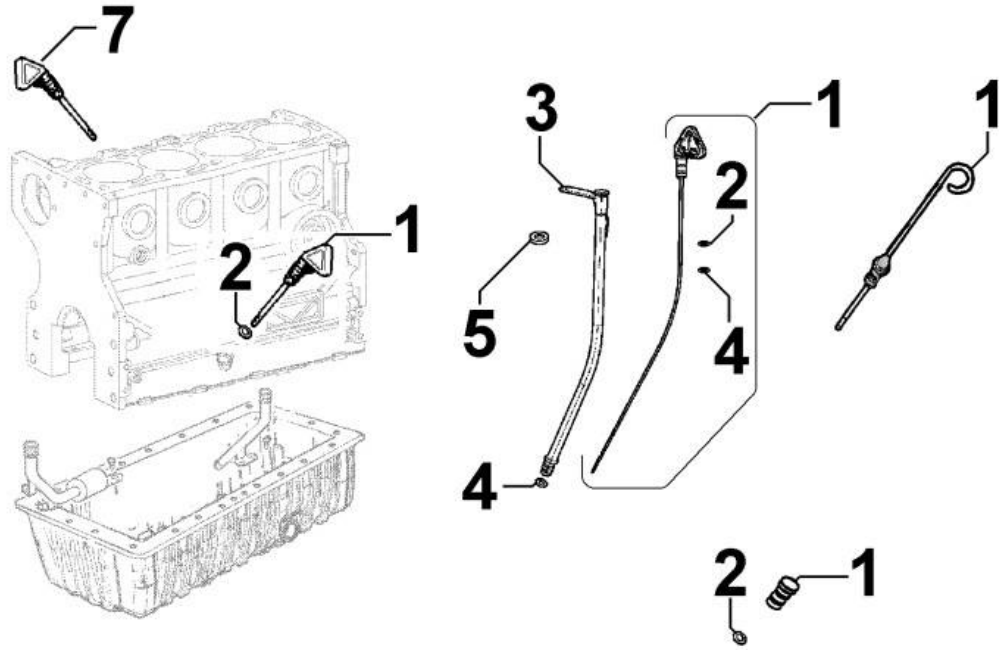




PAGURO - SPARE PARTS CATALOGUE
PAGURO 14000 - OIL FILTER

| NO. | CODE: | DESCRIPTION | Q.TY |
|-----|----------------------------------|-----------------------------------|------|
| 1 | AD40LO7265021 | OIL FLTER CONNECTION | 1 |
| 2 | AD40LO2175283 (AD40LO2175107) | OIL CARTRID. SPARE PART KOHLER | 1 |

PAGURO - SPARE PARTS CATALOGUE
PAGURO 14000 - OIL DIPSTICK



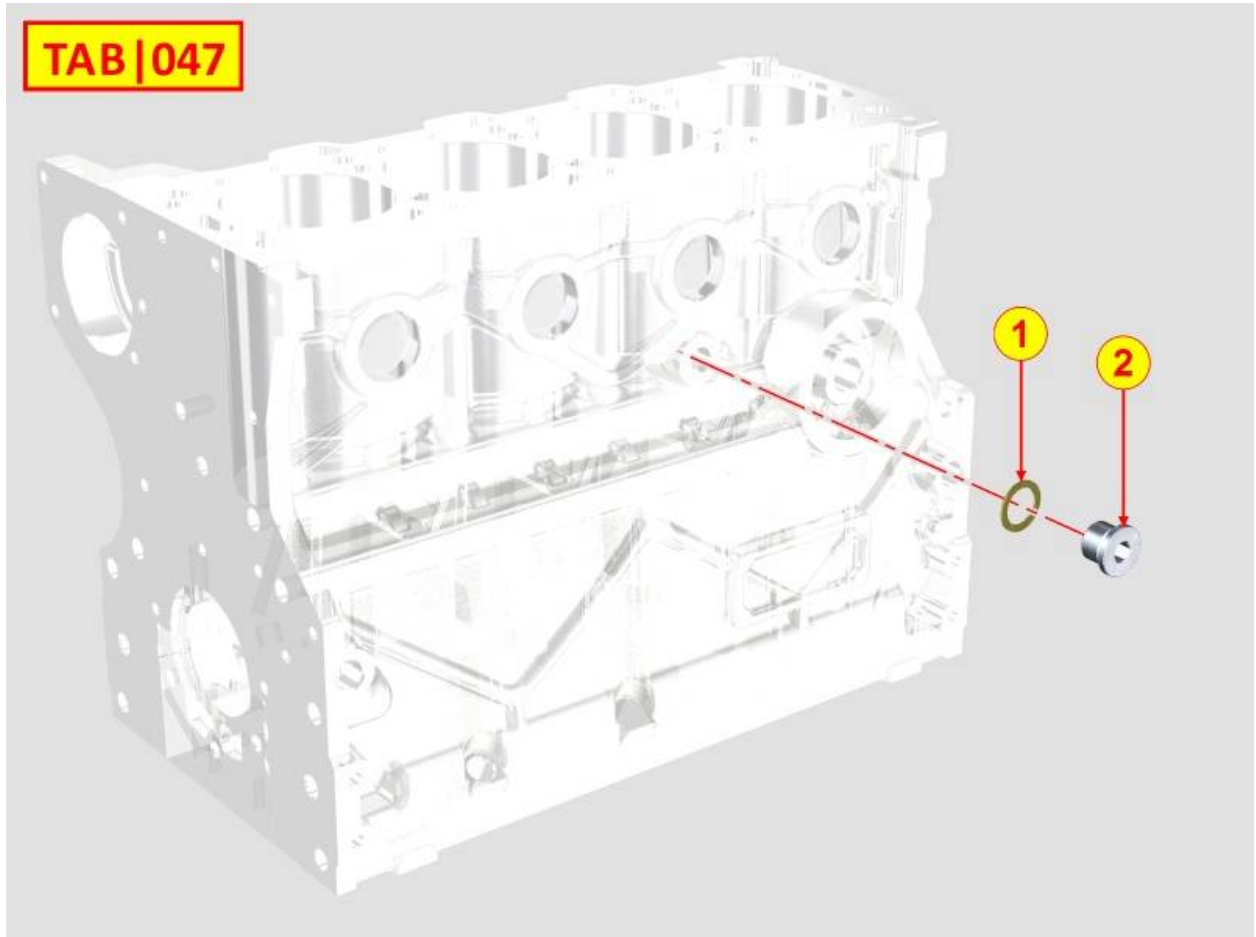


PAGURO - SPARE PARTS CATALOGUE
PAGURO 14000 - OIL DIPSTICK

| NO. | CODE: | DESCRIPTION | Q.TY |
|-----|---------------|--|------|
| 3 | AD40LO9330139 | COMPLETE DIPSTICK TUBE (FOCS L.MARINE) | 1 |
| 4 | AD40LO1200001 | ORING 108-GOM. NITRIL D2000 | 2 |



PAGURO - SPARE PARTS CATALOGUE
PAGURO 14000 - OIL COOLER

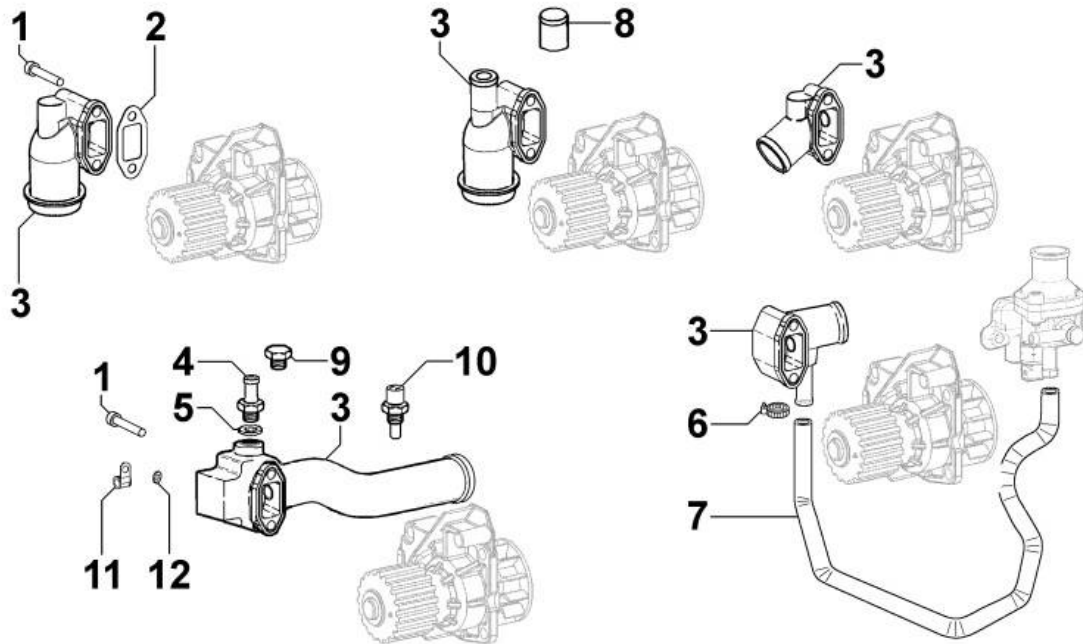




PAGURO - SPARE PARTS CATALOGUE
PAGURO 14000 - OIL COOLER

| NO. | CODE: | DESCRIPTION | Q.TY |
|------------|---------------|-----------------------------------|-------------|
| 1 | AD40LO4670019 | COPPER WASHER D22X16.2 1 | 1 |
| 2 | AD40LO9040031 | HEX PLUG M16X1.5 DIN 908 + ZNB | 1 |

PAGURO - SPARE PARTS CATALOGUE
PAGURO 14000 - COOLANT INLET FLANGE

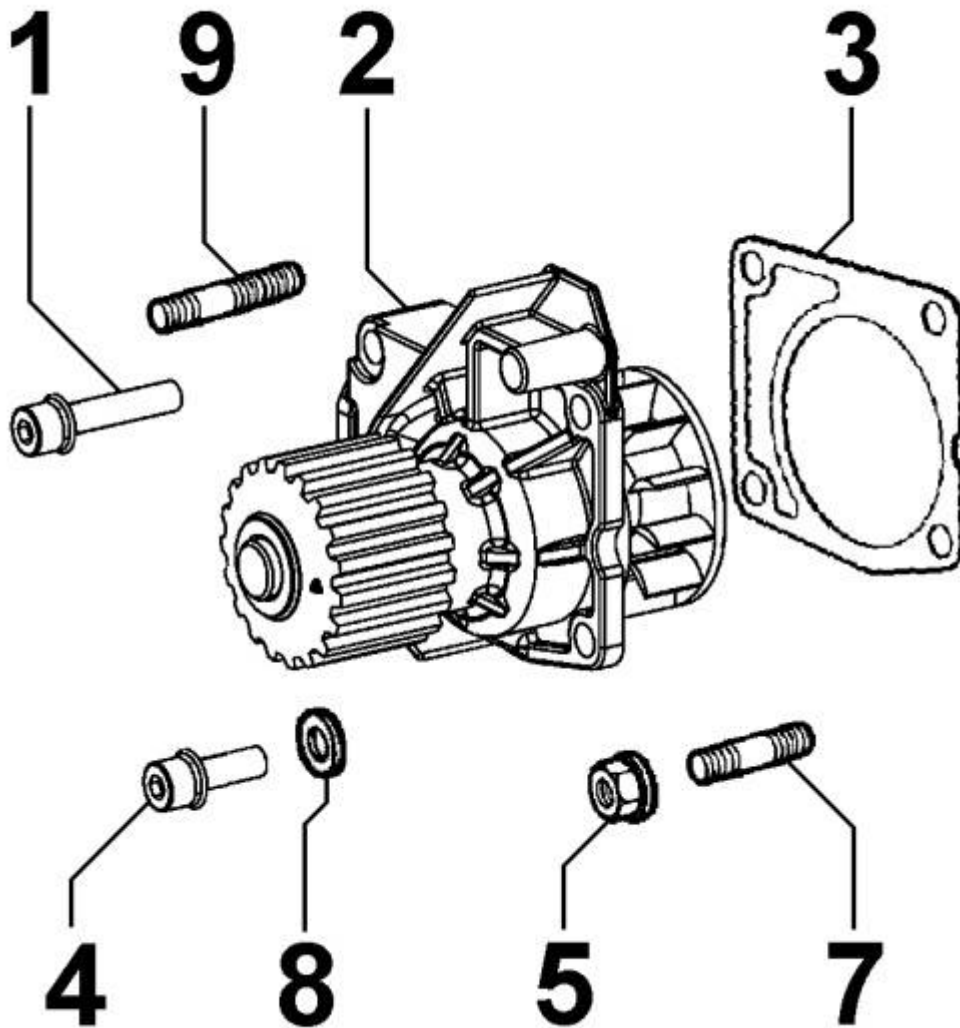




PAGURO - SPARE PARTS CATALOGUE
PAGURO 14000 - COOLANT INLET FLANGE

| NO. | CODE: | DESCRIPTION | Q.TY |
|-----|---------------|-----------------------------------|------|
| 1 | AD40LO9730018 | HSHC SCREW ISO 4762 M6X45 | 2 |
| 2 | AD40LO4501158 | WATER PUMP INLET FLANGE GASKET | 1 |
| 3 | AD40LO7330286 | WAT.PUMP ENTRY UNION(LOMB.MA.) | 1 |
| 5 | AD40LO4670061 | COPPER WASHER D19/14.2 1.5 THK | 1 |
| 10 | AD40LO9195078 | THERMOSTAT | 1 |

PAGURO - SPARE PARTS CATALOGUE
PAGURO 14000 - COOLANT PUMP

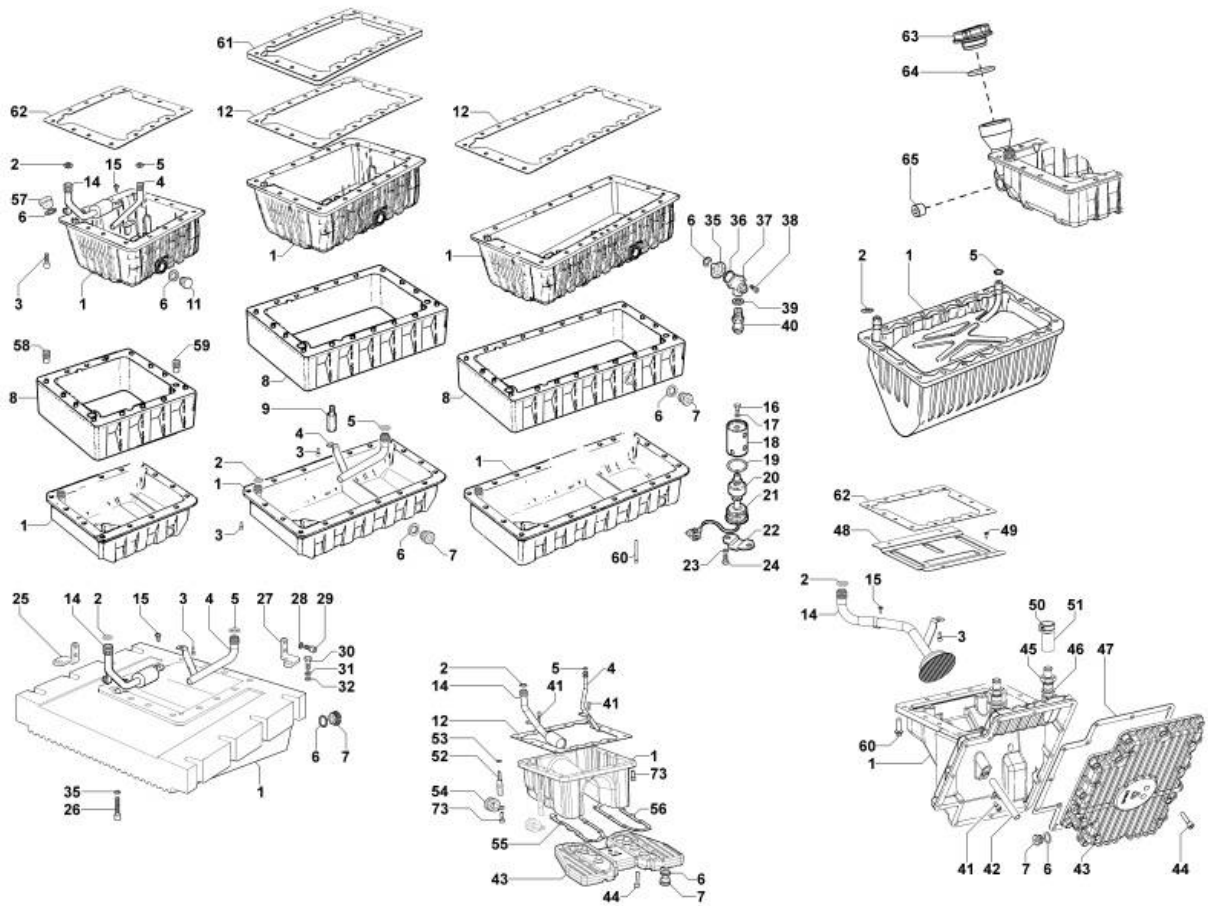




PAGURO - SPARE PARTS CATALOGUE
PAGURO 14000 - COOLANT PUMP

| NO. | CODE: | DESCRIPTION | Q.TY |
|------------|---------------|---------------------------------|-------------|
| 1 | AD40LO1770178 | THERMOSTAT | 2 |
| 2 | AD40LO6584540 | WATER PUMP ASSLY | 1 |
| 3 | AD40LO4580215 | WATER PUMP GASKET STEEL FOAM | 1 |
| 4 | AD40LO1770160 | HEX FLANG HEAD M8x16-8G+ZN.B | 2 |

PAGURO - SPARE PARTS CATALOGUE
PAGURO 14000 - OIL PAN

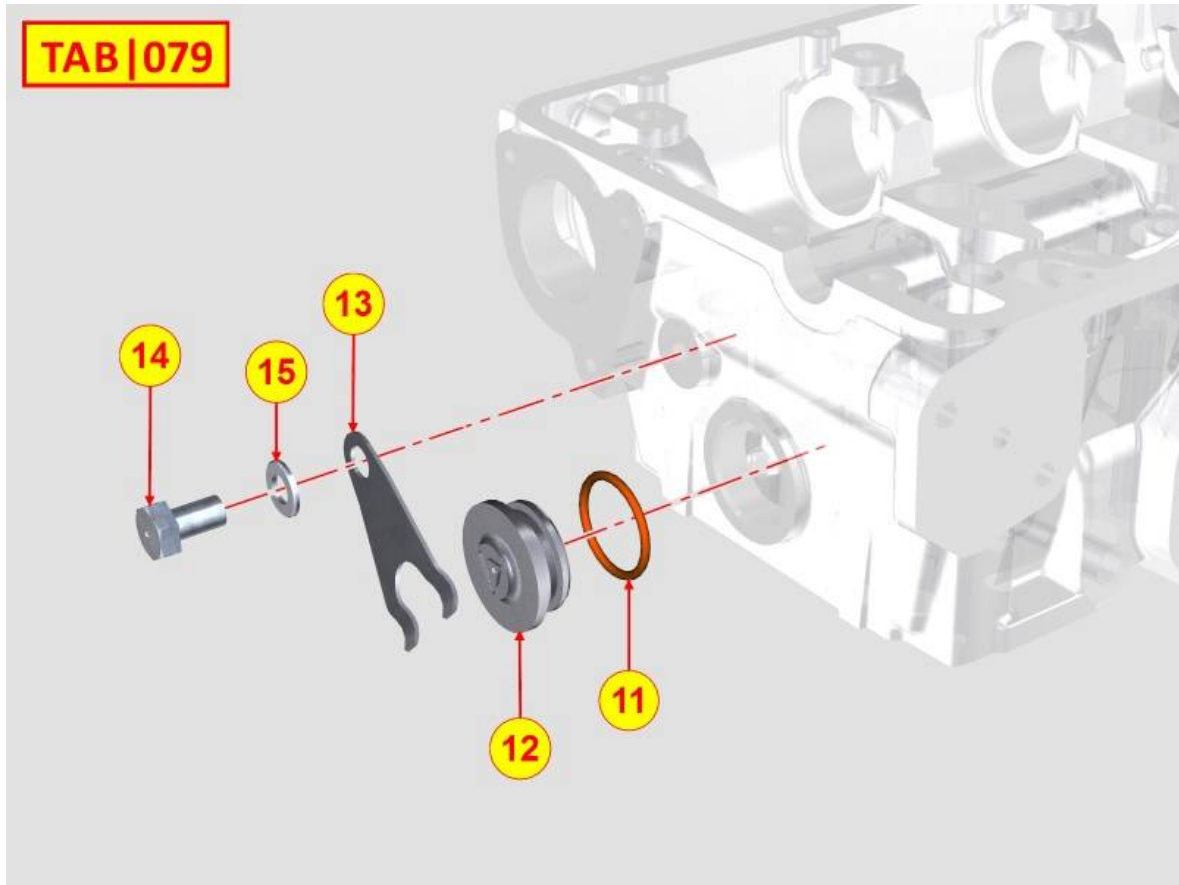




PAGURO - SPARE PARTS CATALOGUE
PAGURO 14000 - OIL PAN

| NO. | CODE: | DESCRIPTION | Q.TY |
|------------|---------------|------------------------------------|-------------|
| 1 | AD40LO6645551 | OIL SUMP | 1 |
| 2 | AD40LO1200030 | ORING 116-SILICONIC RUBBER | 1 |
| 3 | AD40LO1760130 | HEX FLANG HEAD SCRE M6X12-8.8+Zn.B | 19 |
| 4 | AD40LO9485272 | OIL RETURN PIPE | 1 |
| 5 | AD40LO1200274 | OR D.8X3 FOR OIL RETURN PIPE | 1 |
| 11 | AD40LO9040035 | OIL DRAIN PAN | 1 |
| 35 | AD40LO4170044 | NUT (L.MARINE) | 1 |

PAGURO - SPARE PARTS CATALOGUE
PAGURO 14000 - FITTING FOR CAB HEATING



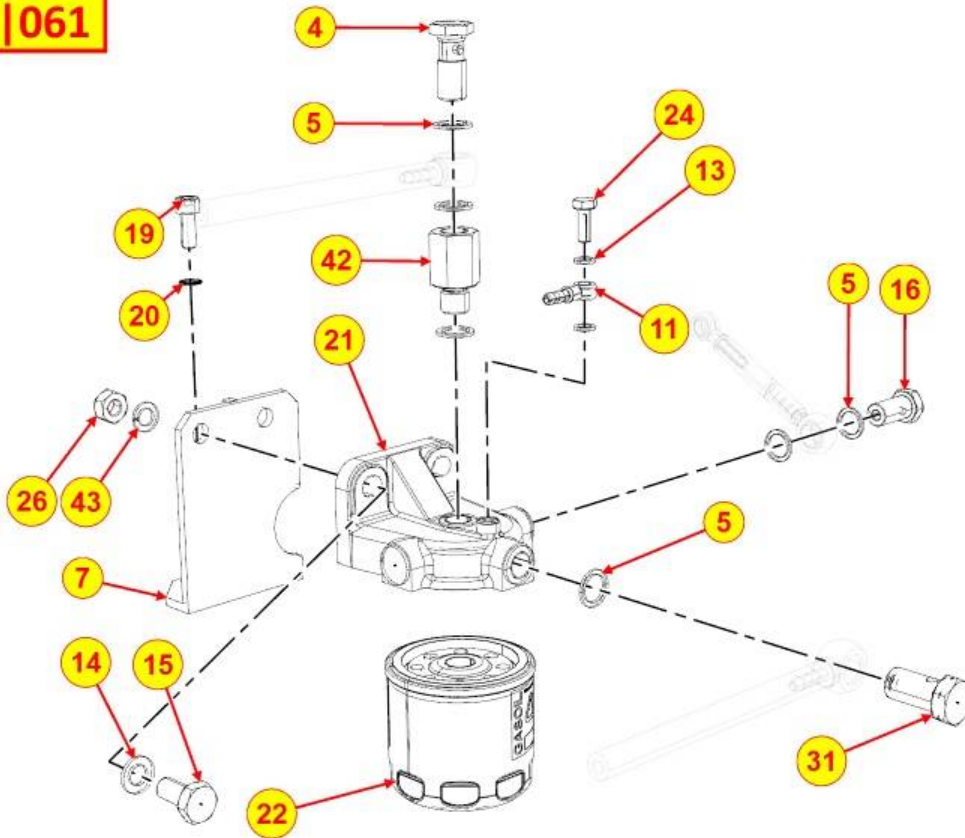


PAGURO - SPARE PARTS CATALOGUE
PAGURO 14000 - FITTING FOR CAB HEATING

| NO. | CODE: | DESCRIPTION | Q.TY |
|------------|---------------|--------------------|-------------|
| 12 | AD40LO9065007 | CYLINDER HEAD PLUG | 1 |

PAGURO - SPARE PARTS CATALOGUE
PAGURO 14000 - FUEL FILTER

TAB | 061



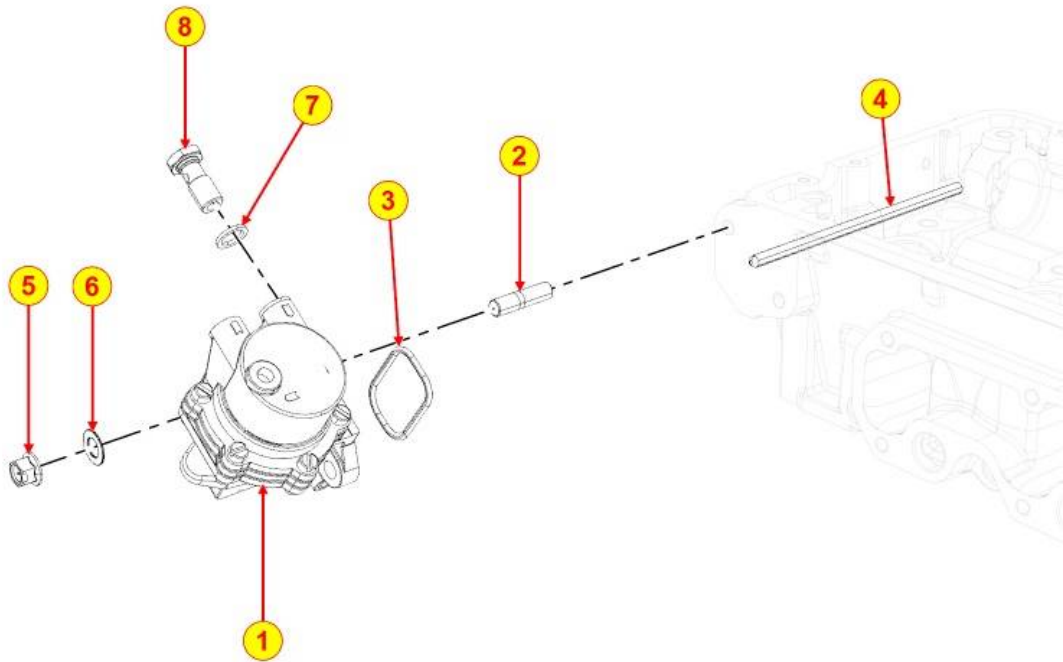


PAGURO - SPARE PARTS CATALOGUE
PAGURO 14000 - FUEL FILTER

| NO. | CODE: | DESCRIPTION | Q.TY |
|------------|---------------|-------------------------------------|-------------|
| 5 | AD40LO4670061 | COPPER WASHER D19/14.2 1.5 THK | 7 |
| 7 | AD40LO8760110 | SUPPORT (L.MARINE) GREY | 1 |
| 11 | AD40LO7270108 | BANJO D.6 | 1 |
| 13 | AD40LO4670062 | COPPER WASHER D10/6.2 1.5 THK | 2 |
| 14 | AD40LO7625019 | WASHER 10X18X2 | 2 |
| 15 | AD40LO9730045 | ALLEN SCREW 10X30- 5931-12.9+dac | 2 |
| 16 | AD40LO1901032 | Banjo bolt 14X1 | 1 |
| 20 | AD40LO7565007 | SPRING WASHER D14.2/8.2 | 2 |
| 21 | AD40LO3730125 | FUEL FILTER | 1 |
| 22 | AD40LO2175288 | FUEL FILTER | 1 |
| 22 | AD40LO2175288 | FUEL FILTER | 1 |
| 26 | AD40LO3240033 | NUT M10X1,5- UNI.5588-8S+ZN.B | 2 |
| 31 | AD40LO9680049 | FUEL FILTER VALVE | 1 |
| 43 | AD40LO7565011 | LOCK WASHER M10 | 2 |

PAGURO - SPARE PARTS CATALOGUE
PAGURO 14000 - FUEL FEED PUMP

TAB | 062

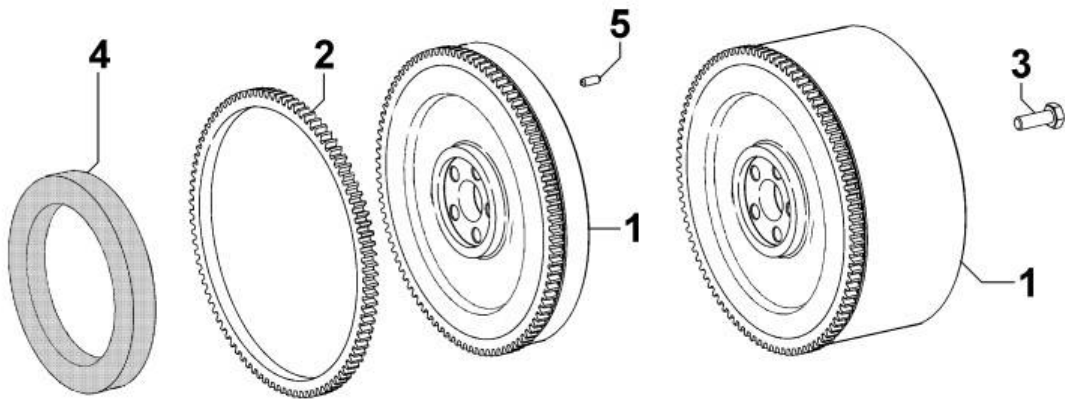




PAGURO - SPARE PARTS CATALOGUE
PAGURO 14000 - FUEL FEED PUMP

| NO. | CODE: | DESCRIPTION | Q.TY |
|------------|---------------|------------------------------|-------------|
| 1 | AD40LO6585151 | FUEL FEED PUMP | 1 |
| 2 | AD40LO6780008 | STUD M8X20 | 2 |
| 3 | AD40LO1200087 | ORING 3150 | 1 |
| 4 | AD40LO7200721 | FUEL PUMP PUSH ROD | 1 |
| 5 | AD40LO3240164 | NUT | 2 |
| 6 | AD40LO7555029 | BEL WASHER D15/8.4 0.8 T | 2 |
| 7 | AD40LO4670059 | COPPER WASHER D14/10.2 1. | 4 |
| 8 | AD40LO1901193 | UNION BOLT M 10 | 2 |

PAGURO - SPARE PARTS CATALOGUE
PAGURO 14000 - FLYWHEEL

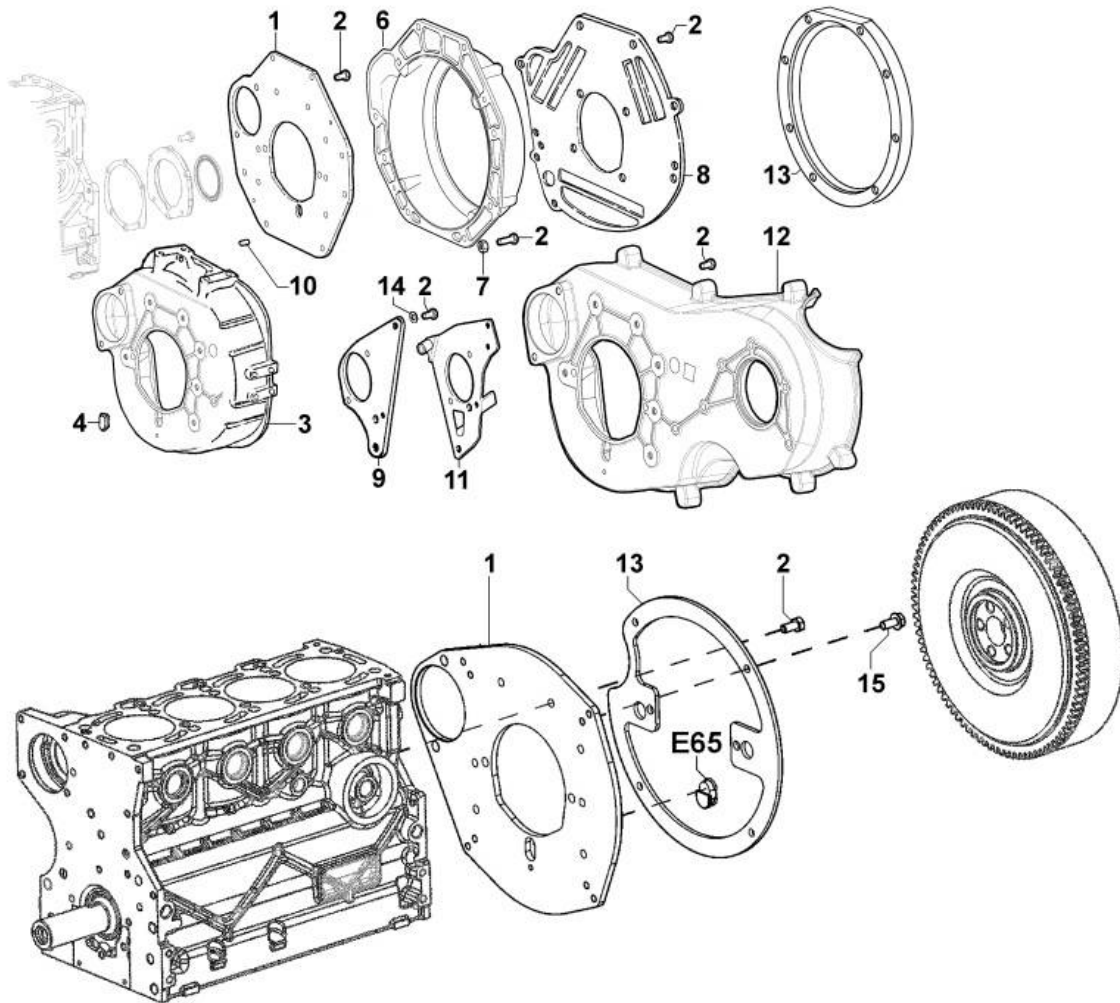




PAGURO - SPARE PARTS CATALOGUE
PAGURO 14000 - FLYWHEEL

| NO. | CODE: | DESCRIPTION | Q.TY |
|------------|---------------|-------------------------------|-------------|
| 3 | AD40LO1780097 | Hex. Screw M10 X 1.25 x 30 | 5 |

PAGURO - SPARE PARTS CATALOGUE
PAGURO 14000 - ENGINE FLANGE /BACKPLATE

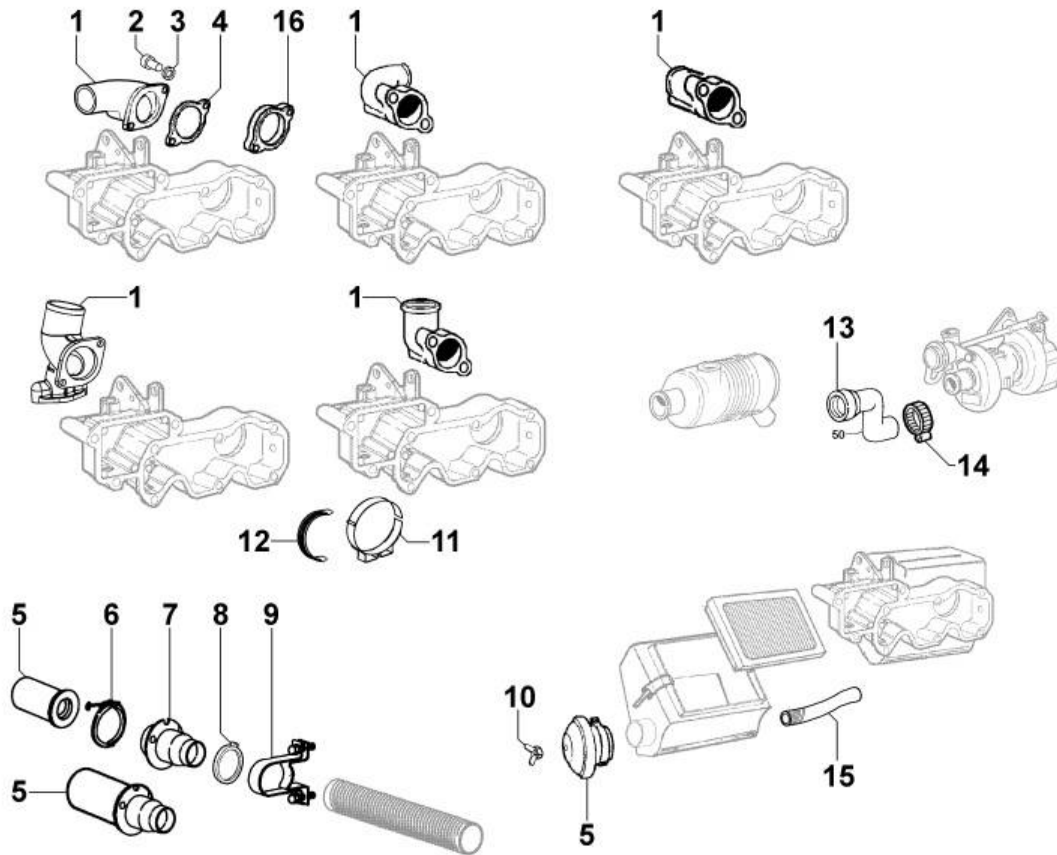




PAGURO - SPARE PARTS CATALOGUE
PAGURO 14000 - ENGINE FLANGE /BACKPLATE

| NO. | CODE: | DESCRIPTION | Q.TY |
|-----|---------------|-------------------------------------|------|
| 2 | AD40LO1770056 | HEX HEAD SCRE M8X18-5739-8G+ZN.B | 9 |

PAGURO - SPARE PARTS CATALOGUE
PAGURO 14000 - AIR INLET ACCESORIES

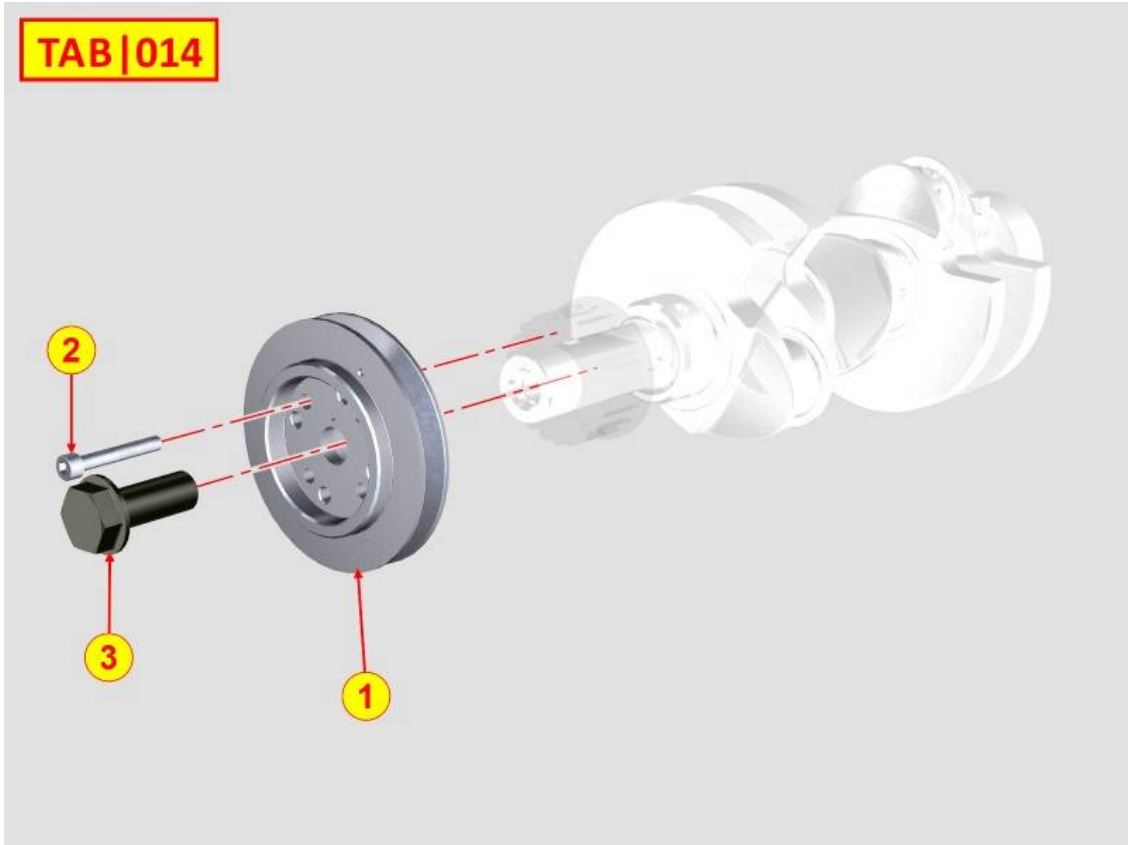




PAGURO - SPARE PARTS CATALOGUE
PAGURO 14000 - AIR INLET ACCESORIES

| NO. | CODE: | DESCRIPTION | Q.TY |
|-----|----------------------------------|-----------------------------|------|
| 1 | AD40LO3866153 (AD40LO3866083) | FLANGE GREY | 1 |
| 2 | AD40LO1770005 | HEX HEAD BOLT | 2 |
| 3 | AD40LO7555029 | BEL WASHER D15/8.4 0.8 T | 2 |
| 4 | AD40LO4501081 | Intake Elbow Gasket | 1 |

PAGURO - SPARE PARTS CATALOGUE
PAGURO 14000 - PULLEYS / BELT

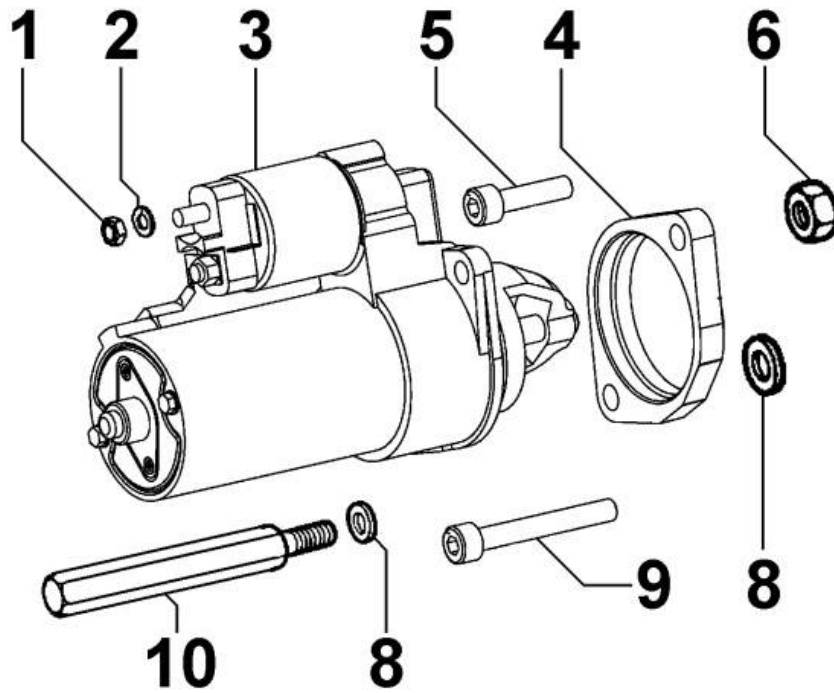




PAGURO - SPARE PARTS CATALOGUE
PAGURO 14000 - PULLEYS / BELT

| NO. | CODE: | DESCRIPTION | Q.TY |
|-----|---------------|---|------|
| 1 | AD40LO7051143 | Crankshaft pulley (driving pulley) 1 gro | 1 |
| 2 | AD40LO9732016 | SOC HEAD CAP SCR M6X40L 8.8 | 4 |
| 3 | AD40LO9865319 | CRANKSHAFT BOLT | 1 |

PAGURO - SPARE PARTS CATALOGUE
PAGURO 14000 - STARTING MOTOR





PAGURO - SPARE PARTS CATALOGUE
PAGURO 14000 - STARTING MOTOR

| NO. | CODE: | DESCRIPTION | Q.TY |
|-----|---------------|---|------|
| 1 | AD40LO3240020 | NUT M8X1,25 UNI 5589-6S+ZN.B | 1 |
| 2 | AD40LO7565007 | SPRING WASHER D14.2/8.2 | 1 |
| 3 | AD40LO5840162 | STARTER MOTOR | 1 |
| 3 | AD40LO5840224 | STARTER MOTOR 1.7KW | 1 |
| 4 | AD40LO3810024 | FLANGE | 1 |
| 5 | AD40LO9730046 | SOC HEAD SCREW M10X35- 5931.8G+ZN.B | 2 |



PAGURO - SPARE PARTS CATALOGUE
PAGURO 14000 - SPECIAL DETACHED COMPONENTS

| NO. | CODE: | DESCRIPTION | Q.TY |
|-----|---------------|-------------------------------------|------|
| | AD40LO3630145 | CLAMP d.16-25 SX9C-W4 VITE TIPO | 2 |
| | AD40LO3630148 | CLAMP (L.MARINE | 1 |
| | AD40LO9400098 | BLOW-BY DRAIN HOSE | 1 |
| | AD40LO9680034 | BREATHING VALVE ASSY | 1 |
| | AD40LO9730231 | SCREW | 1 |
| | AD40LO9730279 | ALLEN SCREW M6X40-5931-INOX | 4 |
| | AD40LO6927707 | TIMING BELT COVER WACKER/TEREX 1003 | 1 |
| | AD40LO9000078 | PLUG D.9-10 | 1 |
| | AD40LO9000134 | PLUG | 1 |
| | AD40LO1950008 | VALVE SPRING | 1 |
| | AD40LO2471014 | COLLAR N 10 | 1 |
| | AD40LO3205078 | NUT | 1 |
| | AD40LO1200041 | ORING D8.04/4.48 1.78 T | 1 |
| | AD40LO1200328 | ORING | 3 |
| | AD40LO1202047 | ORING | 1 |
| | AD40LO1400346 | DIPSTICK 903 | 1 |



PAGURO - SPARE PARTS CATALOGUE





PAGURO - SPARE PARTS CATALOGUE



VTE S.r.l.
via Luciano Lama, 5
33050 Fiumicello - Udine - Italia
Tel.: +39 0431 96488
Web-site: www.volpitemcno.com