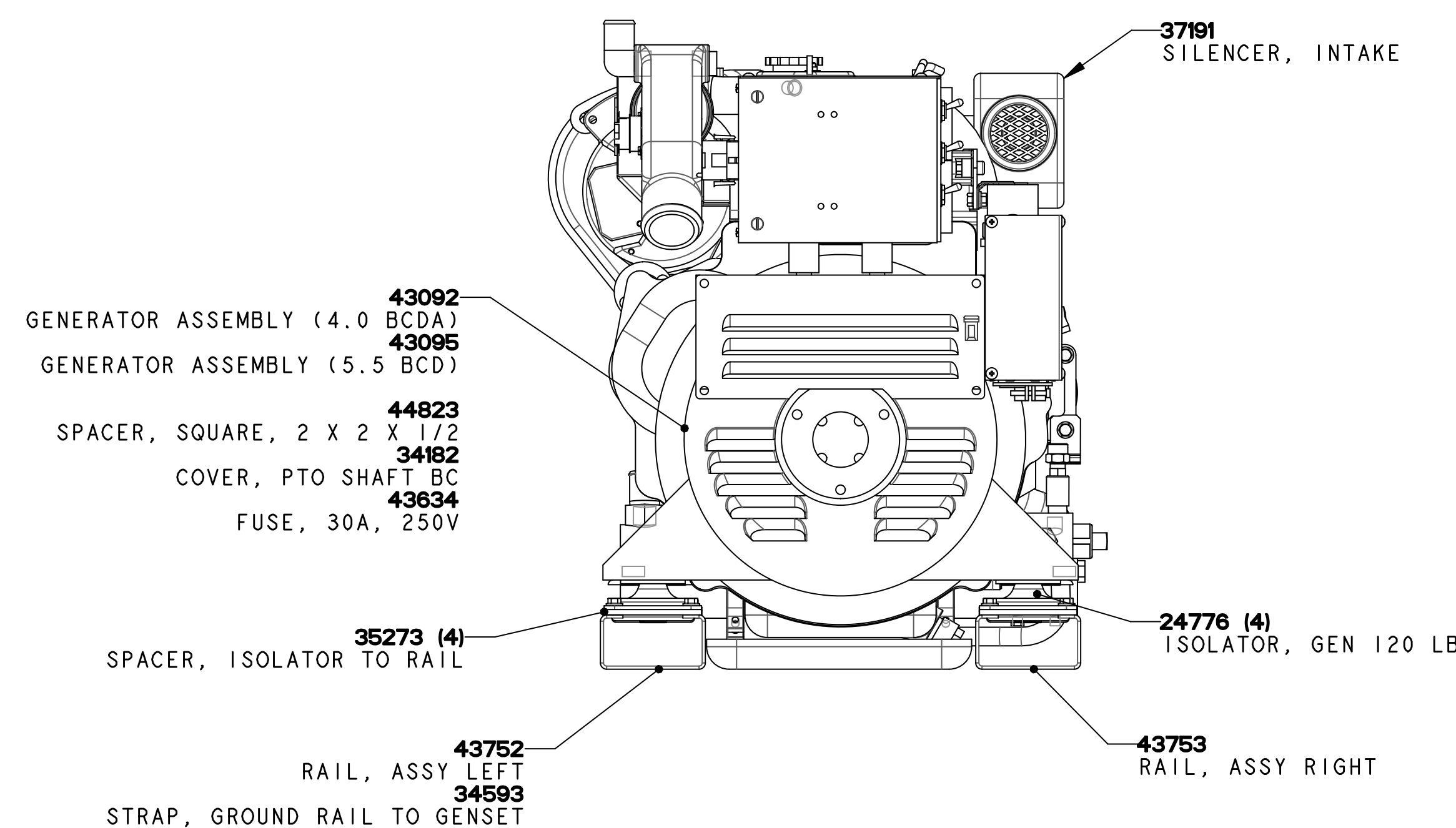
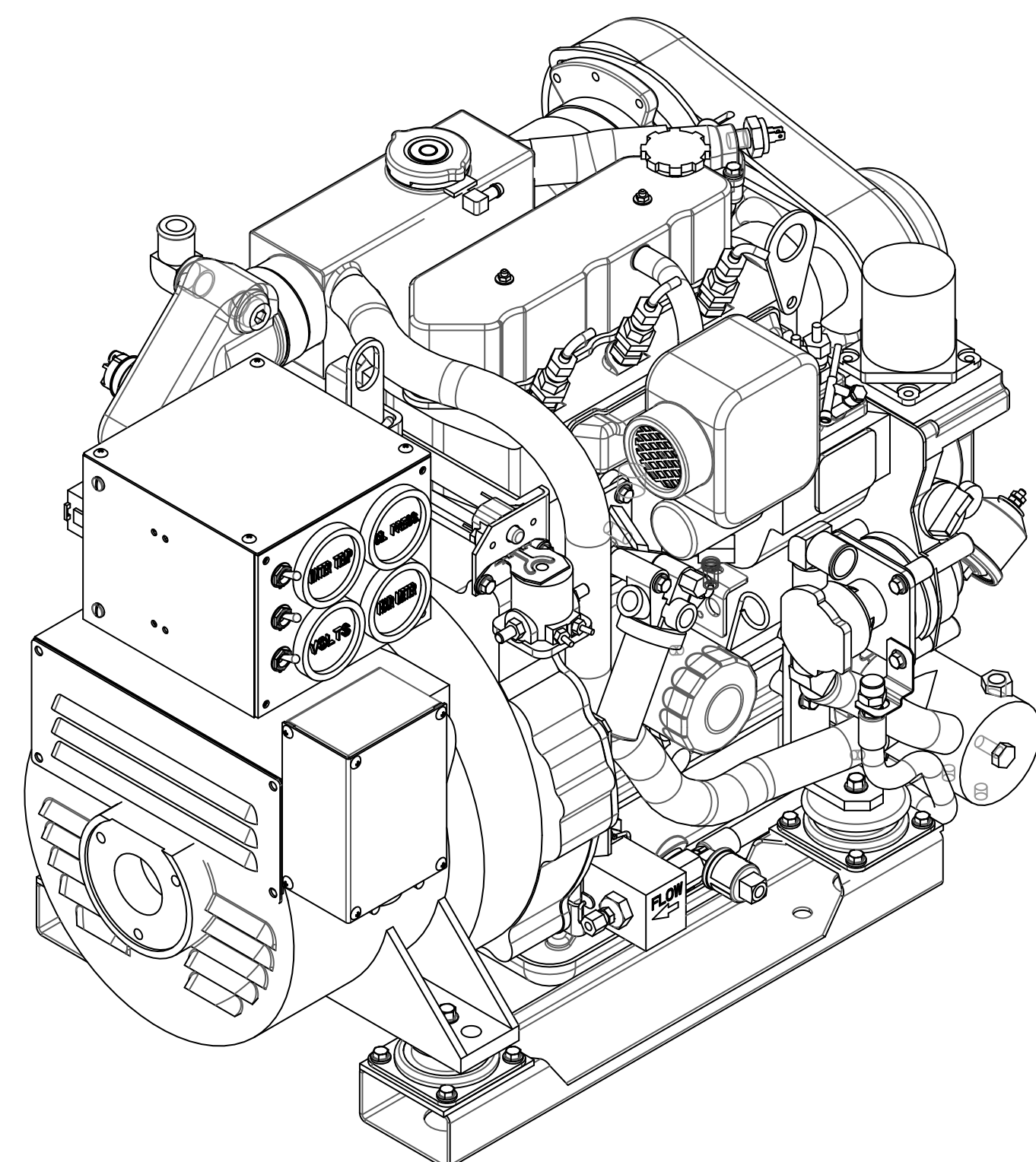
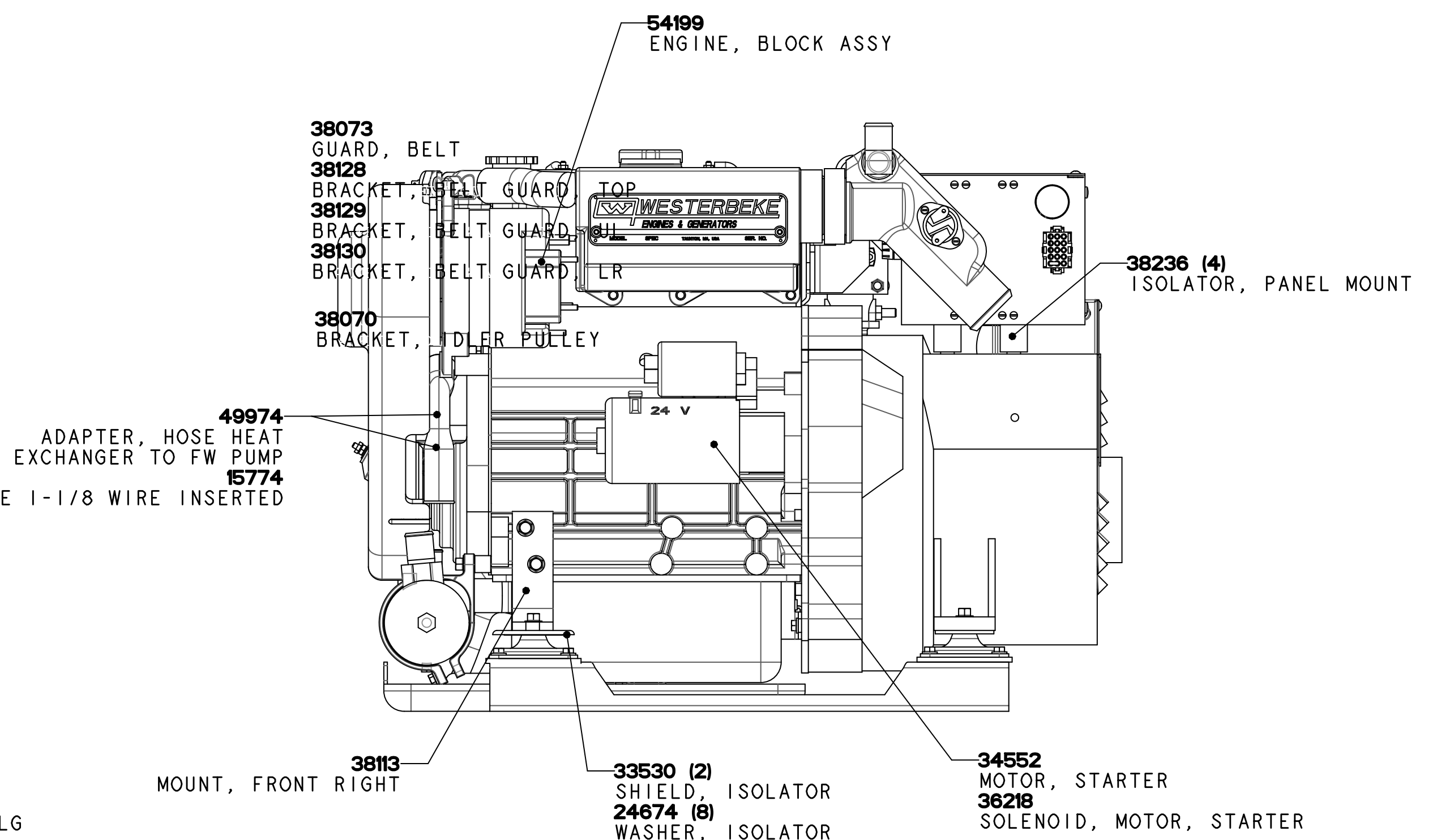
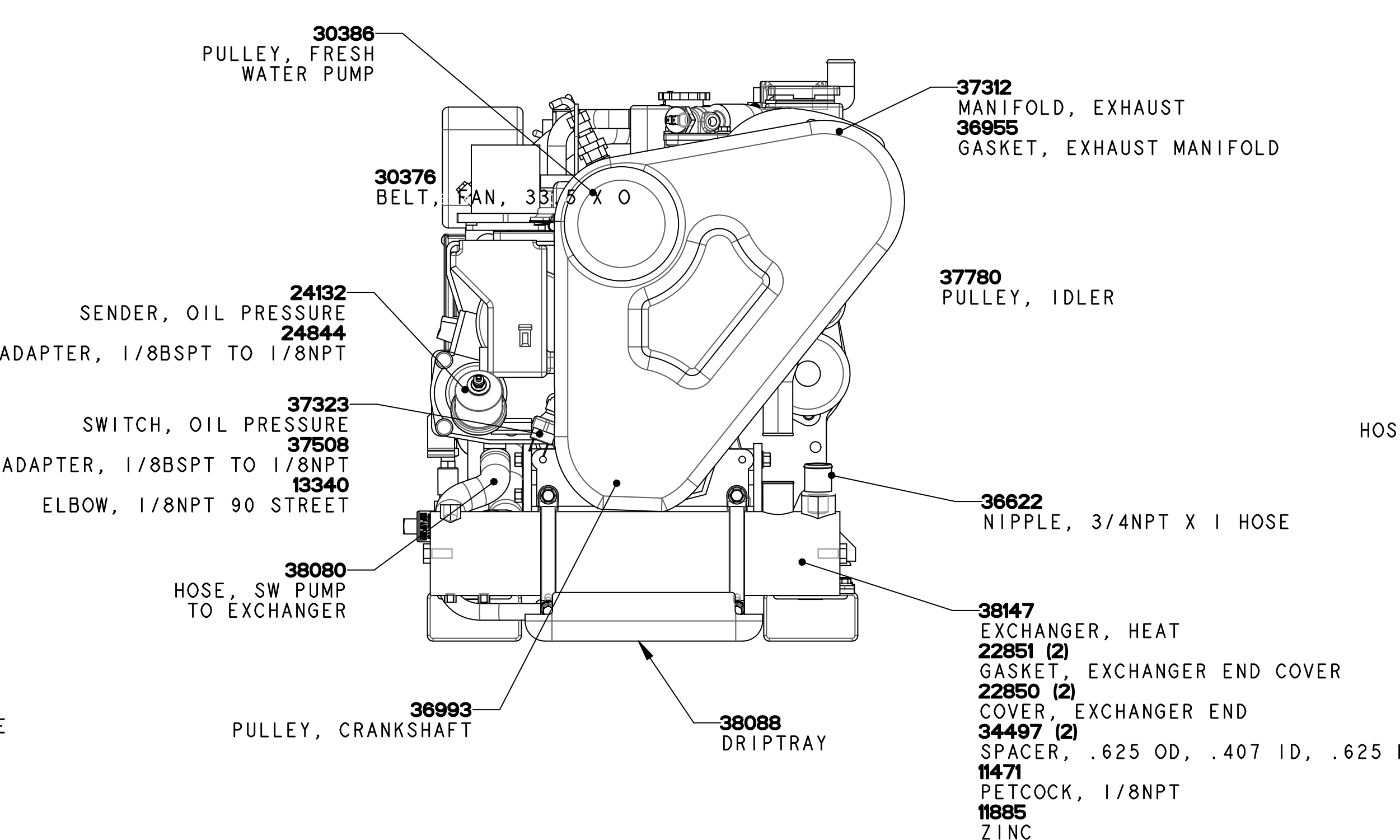
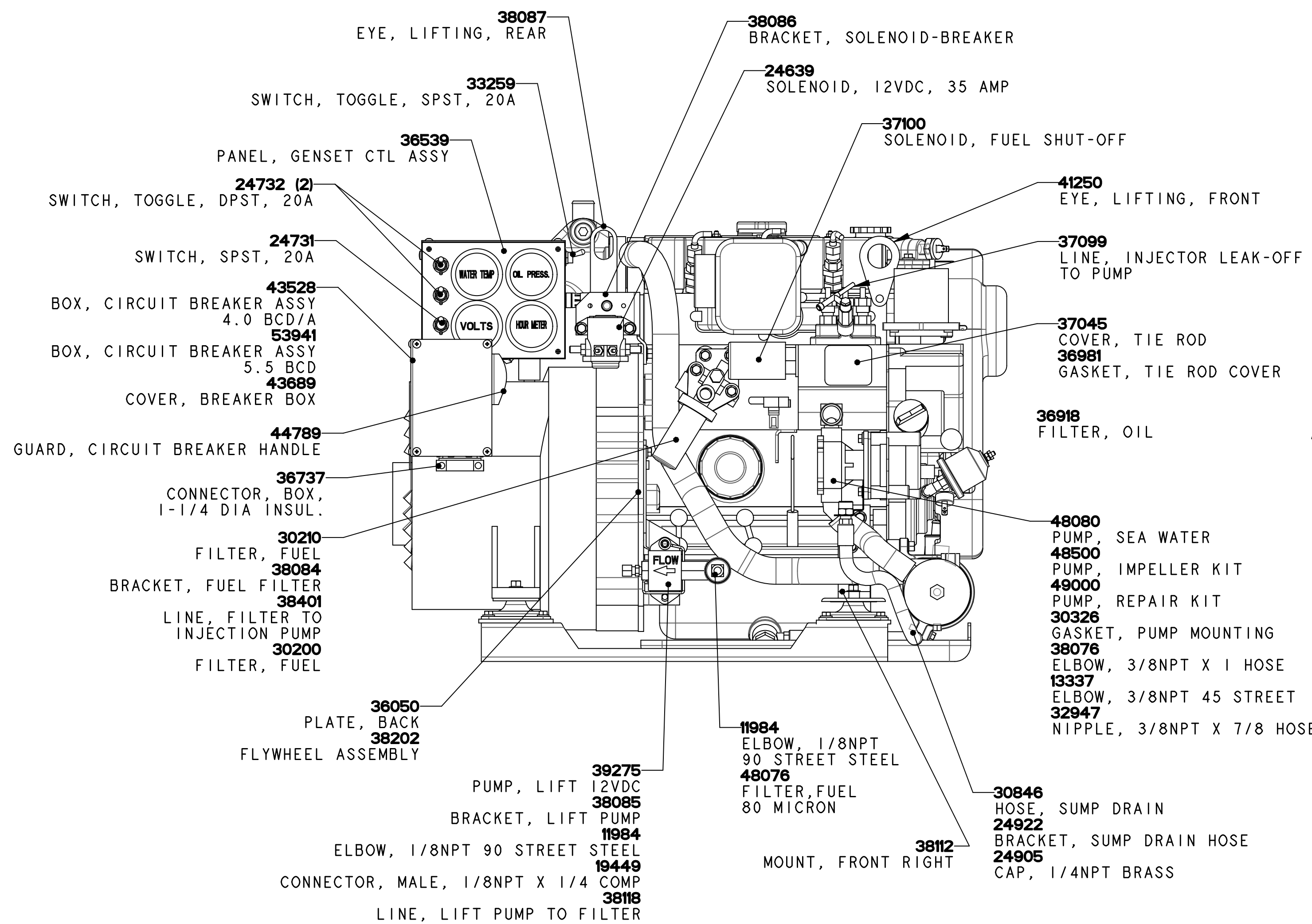


FAST MOVING PARTS			
30376	BELT, FAN, 33.5 X 0	13758	PAINT, RED AEROSOL
24306	CAP, PRESSURE	42307	PAINT, WHITE AEROSOL
36539	CHARGER, BATTERY 4.0 BCDA (TO 31023)	36539	PANEL, GENSET CONTROL
35981	CHARGER, BATTERY 5.5 BCD (TO 31018)	--	--
43096	CHARGER, BATTERY 4.0 BCD (FROM 31024)	--	--
43096	CHARGER, BATTERY 5.5 BCD (FROM 31019)	--	--
43422	CIRCUIT BREAKER, 25 AMP	24943	PANEL, REMOTE START/STOP
45596	CIRCUIT BREAKER, 30 AMP	24732	PREHEAT & START SWITCH
41081	DIODE	37015	PUMP, FRESH WATER
37072	DIPSTICK	39275	PUMP, FUEL LIFT
30257	ELECTRONIC VOLTAGE REGULATOR	48500	PUMP, IMPELLER KIT
33259	EMERGENCY STOP SWITCH	30326	PUMP, SEA WATER MOUNTING GASKET
32923	EXHAUST TEMPERATURE SWITCH	36957	PUMP, FRESH WATER MOUNTING GASKET
30548	FILTER, ELECTRIC LIFT PUMP	49000	PUMP, SEA WATER REPAIR KIT
30200	FILTER, FUEL OIL	48080	PUMP, SEA WATER
36918	FILTER, LUBE OIL	45050	HOSE KIT
37121	FUEL HARDWARE KIT	43649	RECTIFIER
37117	GASKET SET, COMPLETE	40078	REMOTE LUBE OIL FILTER
37116	GASKET SET, UPPER	37191	SILENCER, AIR INTAKE
36425	GASKET, EX ELBOW TO MANIFOLD	37000	SOLENOID, FUEL SHUT-OFF
36969	GASKET, HEAD	24639	SOLENOID, PREHEAT
36988	GASKET, OIL PAN	38350	SPARE PARTS KIT A
36961	GLOWPLUG	38351	SPARE PARTS KIT B
30760	HARNESS, 15 FT, EXT 8 PIN	34552	STARTER MOTOR
38147	HEAT EXCHANGER	36218	STARTER SOLENOID
22850	HEAT EXCHANGER END CAP	24731	SWITCH, STOP
22851	HEAT EXCHANGER GASKET	24777	TANK, COOLANT RECOVERY
37103	INJECTION PUMP	37043	THERMOSTAT
37091	INJECTOR	36956	THERMOSTAT MOUNTING GASKET
36935	INJECTOR NOZZLE	37007	VALVE COVER GASKET
38429	INJECTOR RETURN LINE	37605	VOLTMETER
24776	ISOLATOR, FRONT & REAR	37402	WATER INJ. EXHAUST ELBOW 45
45305	MANUAL, OPERATOR	33342	WATER INJ. EXHAUST ELBOW 90
43268	MANUAL, INSTALL MARINE ENG/GEN	37601	WATER TEMPERATURE METER
37603	OIL PRESSURE METER	35109	WATER TEMPERATURE METER
24132	OIL PRESSURE SENDER	39550	WATER TEMPERATURE SENDER
37323	OIL PRESSURE SWITCH	11885	ZINC
ITEMS NOT SHOWN			
43841	HARNESS, GENSET, SRC		



DRAWING SHOWS UPDATE FOR MODEL 4.0 BCDA AND 5.5 BCD. REFER #48506 (4.0 BCD PART LIST DRAWING) AND #38677 (5.0 BCDA PARTS BOOK) FOR OTHER PARTS.

TOLERANCES		WESTERBEKE	
(UNLESS OTHERWISE NOTED)			
INCHES	MILLIMETERS	TITLE	DG PARTS - 4.0 BCDA, 5.5 BCD
.XX ± .02	.XX ± 1.0	PARTS LIST DRAWING	
.XXX ± .005	.XX ± .13		
CAST			
FINISH			
DIMENSIONS		APPROVED BY	DATE
INCHES	SCALE 0.250		
MILLIMETERS	SHT. 1 OF 1		
(WHEN APPLICABLE)			