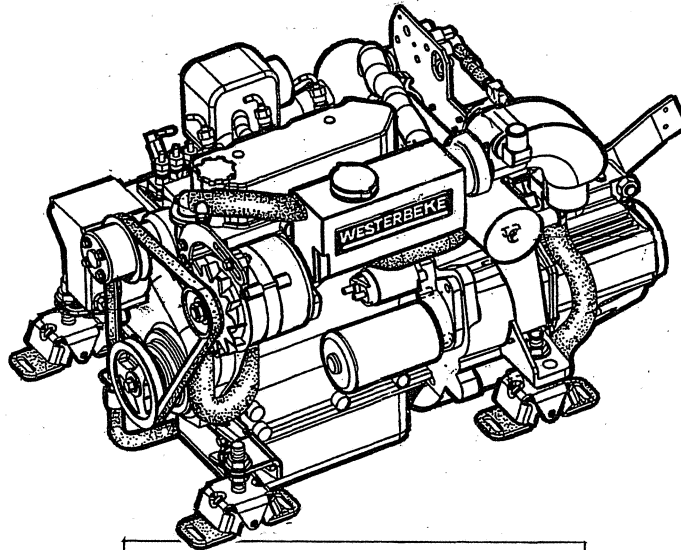


PARTS LIST

MARINE DIESEL ENGINES

20B TWO and 30B/30C THREE



PUBLICATION. NO:037115
REVISION. 3
APRIL 2018

 WESTERBEKE

WESTERBEKE CORPORATION • 150 JOHN HANCOCK ROAD
MYLES STANDISH INDUSTRIAL PARK • TAUNTON MA 02780
WEB SITE: WWW.WESTERBEKE.COM

 *Member National Marine Manufacturers Association*

IMPORTANT

Product Software Disclaimer

Product software of all kinds, such as brochures, drawing, technical data, operator's and workshop manuals, parts lists and parts price lists, and other information, instructions and specifications provided from sources other than Westerbeke, is not within Westerbeke's control and; accordingly, is provided to Westerbeke customers only as a courtesy and service. Westerbeke cannot be responsible for the content of such software, makes no warranties or representations with respect thereto, including the accuracy, timeliness or completeness thereof, and will in no event be liable for any type of damages or injury incurred in connection with, or arising out of, the furnishing or use of such software.

For example, components and subassemblies incorporated in Westerbeke's products and supplied by others (such as engine blocks, fuel systems and components, transmissions, electrical components, pumps and other products) are generally supported by their manufacturers with their own software, and Westerbeke must depend on such software for the design of Westerbeke's own product software. Such software may be outdated and no longer accurate. Routine changes made by Westerbeke's suppliers, of which Westerbeke rarely has notice in advance, are frequently not reflected in the supplier's software until after such changes take place.

Westerbeke customers should also keep in mind the time span between printings of Westerbeke product software and the unavoidable existence of earlier, non-current, Westerbeke software editions in the field. Additionally, most Westerbeke products include customer-requested special features that frequently do not include complete documentation.

In summation, product software provided with Westerbeke products, whether from Westerbeke or other suppliers, must not and cannot be relied upon exclusively as the definitive authority on the respective product. It not only makes good sense but is imperative that appropriate representatives of Westerbeke or the supplier in question be consulted to determine the accuracy and currency of the product software being consulted by the customer.

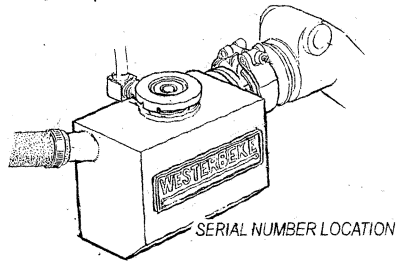


TABLE OF CONTENTS

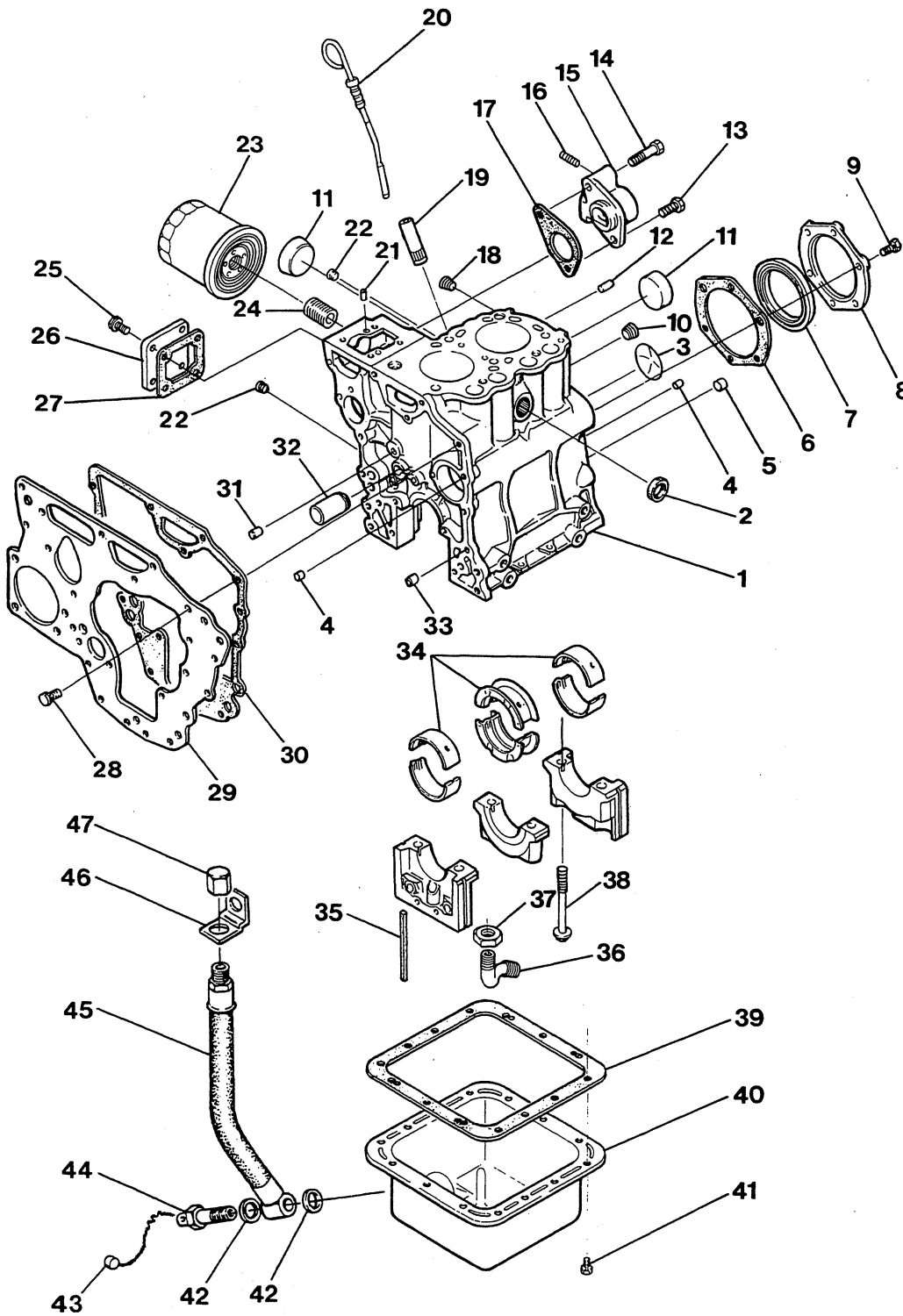
CYLINDER BLOCK 20B TWO	2	FUEL SYSTEM, 20B TWO	26
PARTS LIST.....	3	PARTS LIST.....	27
CYLINDER BLOCK 30B/C THREE	4	FUEL SYSTEM, 30B/C THREE	28
PARTS LIST.....	5	PARTS LIST.....	29
CYLINDER HEAD, VALVES, ROCKER SHAFT, 20B TWO	6	FUEL SYSTEM, 30B/C THREE	30
PARTS LIST.....	7	PARTS LIST.....	31
CYLINDER HEAD, VALVES, ROCKER SHAFT, 30B THREE	8	ELECTRICAL SYSTEM, 20B TWO, 30B/C THREE	32
PARTS LIST.....	9	PARTS LIST.....	33
CAMSHAFT / TIMING SYSTEM, 20B TWO 30B/C THREE	10	RAW WATER PUMP, 20B TWO, 30B/C THREE & LIST	34
PARTS LIST.....	11	RAW WATER PUMP & LIST (FROM MARCH 2004)	35
CRANKCASE / PISTONS & LIST 20B TWO	12	INSTRUMENT PANELS 20B TWO, 30B/C THREE	36
CRANKCASE / PISTONS & LIST 30B/C THREE	13	PARTS LIST.....	37
COOLING SYSTEM 20B TWO	14	JS TRANSMISSION & BACKEND, 20B TWO, 30B/C THREE	38
PARTS LIST.....	15	PARTS LIST.....	39
COOLING SYSTEM 20B TWO	16	HBW TRANSMISSION & BACKEND, 20B TWO, 30B/C THREE	40
PARTS LIST.....	17	PARTS LIST.....	41
COOLING SYSTEM 30B/C THREE	18	Y-DRIVE TRANSMISSION & BACKEND, 20B TWO, 30B/C THREE	42
PARTS LIST.....	19	PARTS LIST.....	43
COOLING SYSTEM 30B/C THREE	20	TRANSMISSION SHIFTING BRACKET & LIST	44
PARTS LIST.....	21	MISCELLANEOUS PARTS LIST	45
GOVERNOR, 20B TWO, 30B/C THREE	22		
PARTS LIST.....	23		
FUEL SYSTEM, 20B TWO	24		
PARTS LIST.....	25		

ORDERING PARTS

When ordering parts always provide the serial number of the engine and/or generator, the part number, description, and quantity.



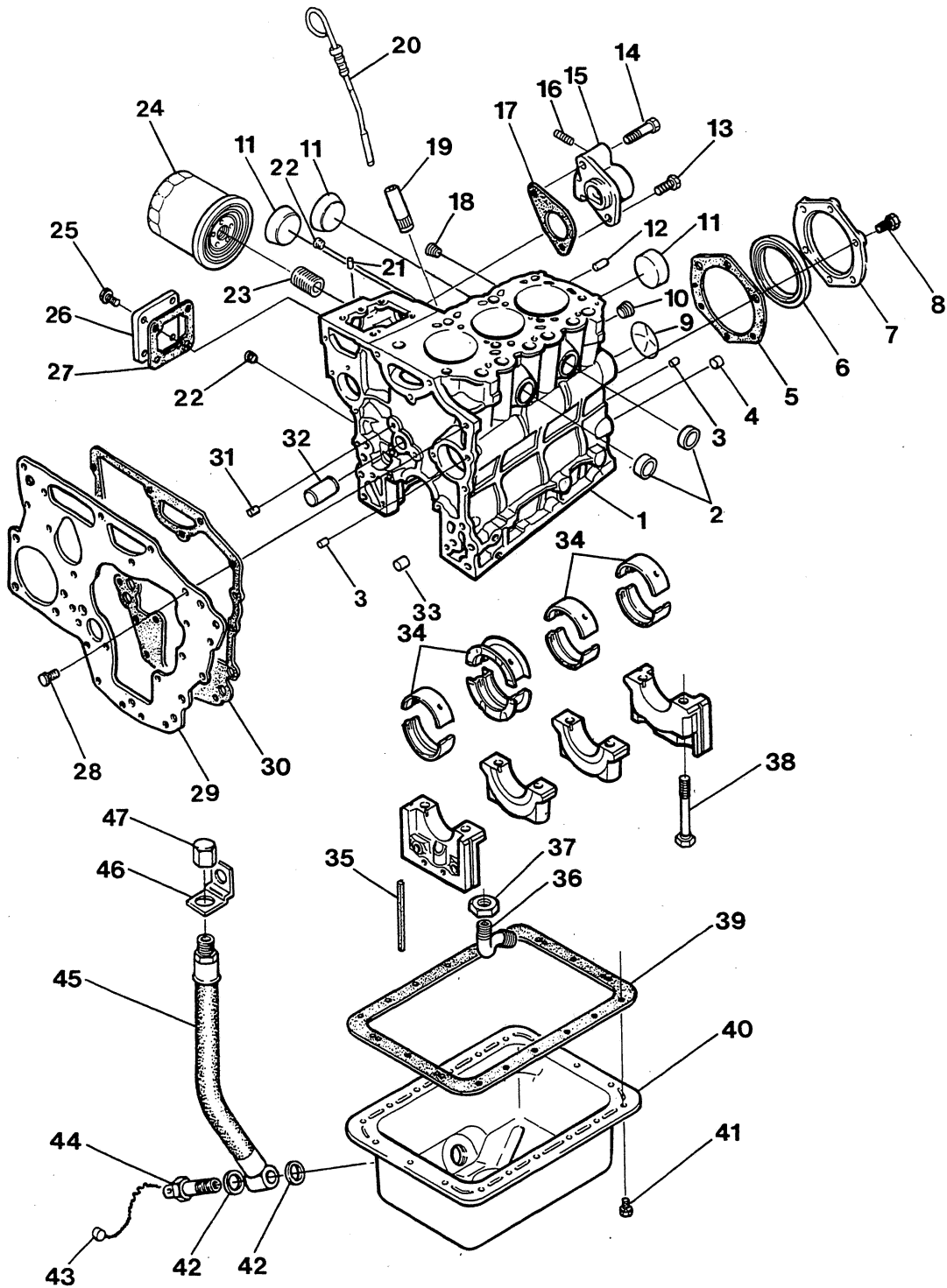
WESTERBEKE 20B TWO - CYLINDER BLOCK



WESTERBEKE 20B TWO - CYLINDER BLOCK

Item	Part No.	Quantity	Name/Description
1-1	037173	1	BLOCK, ASSEMBLY INCLUDING HEAD
1-2	036985	1	BLOCK, BARE
2	024373	1	PLUG, EXPANSION 25MM DIN 443
3	036940	2	PLUG, EXPANSION 35MM DIN 470
4	033212	2	DOWEL, TUBULAR 6 X 9
5	030708	3	DOWEL, TUBULAR 10 X 9
6	036963	1	GASKET, OIL SEAL FLANGE
7	036917	1	SEAL, OIL
8	036945	1	FLANGE, OIL SEAL
9	018804	6	CAPSCREW M 6 X 20 DIN 933
10	030712	1	1/4 BSPT DIN 906
11	033657	2	PLUG, EXPANSION 40MM DIN 443
12	030272	1	DOWEL
13	017196	1	CAPSCREW M 8 X 20 DIN 933
14	024948	1	CAPSCREW, M 8 X 45 DIN 931
15	037074	1	ADAPTER, LIFT PUMP
16	018248	2	STUD, M 6 X 16 DIN 939
17	036987	1	GASKET, LIFT PUMP ADAPTER TO BLOCK
18	013341	1	PLUG, 1/4 NPT HEX HEAD BRASS (<i>Block Drain</i>)
19	037073	1	TUBE, DIPSTICK
20	037072	1	DIPSTICK
21	016943	1	DOWEL
22	030239	2	PLUG, 1/16
23	036918	3	FILTER, OIL
24	030214	1	NIPPLE, OIL FILTER
25-1	031810	4	CAPSCREW, M 6 X 14 DIN 933
25-2	031783	4	LOCKWASHER, M 6 DIN 127
26	037045	1	COVER, TIE ROD
27	036981	1	GASKET, TIE ROD COVER
28-1	031810	7	CAPSCREW, M 6 X 14 DIN 933
28-2	031783	7	LOCKWASHER, 6 DIN 127
29	036997	1	PLATE, FRONT
30	037004	1	GASKET, FRONT PLATE
31	030707	2	DOWEL, TUBULAR 8 X 13
32	037005	2	SHAFT, IDLER
33	037114	1	DOWEL, TUBULAR 6 X 13
34-1	037031	1	BEARING, SET-MAIN STD
34-2	037064	1	BEARING, SET-MAIN 0.25 MM
34-3	037068	2	BEARING, SET-MAIN 0.50 MM
35	036962	4	SEAL, SIDE MAIN BEARING CAP
36	03706	1	STRAINER, OIL PICKUP INCLUDING NUT
37	031809	1	NUT, M14 X 1.5 JAM
38	036916	6	BOLT, MAIN BEARING CAP
39	037032	1	GASKET, SUMP
40	037094	1	SUMP, LUBE OIL
41-1	031825	14	CAPSCREW, M 6 X 12 DIN 933
41-2	031783	14	LOCKWASHER, M 6 X 12 DIN 127
42	036493	2	WASHER, SUMP DRAIN BANJO
43	037393	1	SEAL, LEAD WIRE
44	036819	1	BOLT, BANJO-SUMP DRAIN (<i>M 18 X 1.5</i>)
45	033056	1	HOSE, SUMP DRAIN
46	024922	1	BRACKET, SUMP DRAIN HOSE
47	024905	1	CAP, SUMP DRAIN HOSE

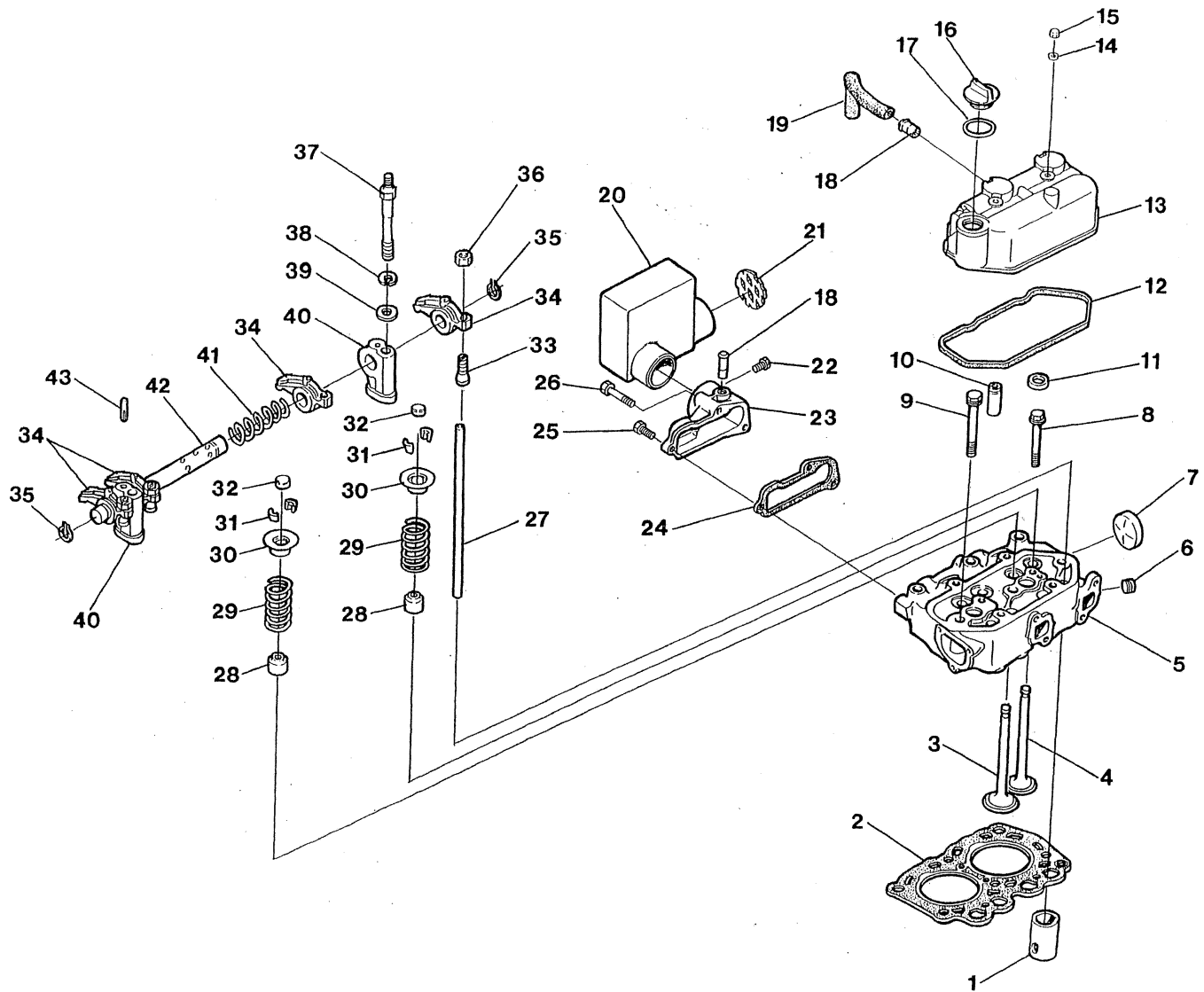
WESTERBEKE 30B/C THREE - CYLINDER BLOCK



WESTERBEKE 30 B/C THREE - CYLINDER BLOCK

Item	Part No.	Quantity	Name/Description
1-1	037604	1	BLOCK, ASSEMBLY INCLUDING HEAD
1-2	036984	1	BLOCK, BARE
2	024373	2	PLUG, EXPANSION 25MM DIN 443
3	033212	2	DOWEL, TUBULAR 6 X 9
4	030708	2	DOWEL, TUBULAR 10 X 9
5	036963	3	GASKET, OIL SEAL FLANGE
6	036917	1	SEAL, OIL
7	036945	1	FLANGE, OIL SEAL
8	018804	6	CAPSCREW M 6 X 20 DIN 933
9	036940	1	PLUG, EXPANSION 35MM DIN 470
10	030712	1	PLUG, 1/4 BSPT DIN 906
11	033657	3	PLUG, EXPANSION 40MM DIN 443
12	030272	1	DOWEL
13	017196	1	CAPSCREW, M 8 X 20 DIN 933
14	024948	1	CAPSCREW, M 8 X 45 DIN 931
15	037074	1	ADAPTER, LIFT PUMP
16	018249	2	STUD, M 6 X 16 DIN 939
17	036987	1	GASKET, LIFT PUMP ADAPTER TO BLOCK
18	013341	1	PLUG, 1/4 NPT HEX HEAD BRASS (BLOCK DRAIN)
19	037073	1	TUBE, DIPSTICK
20	037072	1	DIPSTICK
21	036943	2	DOWEL
22	030239	3	PLUG, 1/16
23	030214	1	NIPPLE, OIL FILTER
24	036918	1	FILTER, LUBE OIL
25-1	031810	4	CAPSCREW, M 6 X 14 DIN 933
25-2	031783	4	LOCKWASHER, N 6 DIN 127
26	037045	4	COVER, TIE ROD
27	036981	1	GASKET, TIE ROD COVER
28-1	031810	7	CAPSCREW, M 6 X 14 DIN 933
28-2	031783	7	LOCKWASHER, M 6 DIN 127
29	036997	1	PLATE, FRONT
30	037004	1	GASKET, FRONT PLATE
31	030707	2	DOWEL, TUBULAR 8 X 13
32	037005	1	SHAFT, IDLER
33	037114	1	DOWEL, TUBULAR 6 X 13
34-1	037018	1	BEARING, SET-MAIN STD
34-2	037062	1	BEARING, SET-MAIN 0.25 MM
34-3	037063	1	BEARING, SET-MAIN 0.50 MM
35	036962	4	SEAL, SIDE MAIN BEARING CAP
36	037068	1	STRAINER, OIL PICKUP INCLUDING NUT
37	031809	1	NUT, M14 X 1.5 JAM
38-1	036916	8	BOLT, MAIN BEARING CAP
38-2	056140	1	BOLT, MAIN BEARING CAP <i>from serial # 186680</i>
39-1	036988	1	GASKET, LUBE OIL SUMP
39-2	056141	1	GASKET, LUBE OIL SUMP <i>from serial # 186680</i>
40	037095	1	SUMP, LUBE OIL
40-1	056157	1	SUMP, LUBE OIL <i>from serial # 186680</i>
41-1	031825	18	CAPSCREW, M 6 X 12 DIN 933
41-2	031783	18	LOCKWASHER, M 6 DIN 127
42	036493	2	WASHER, SUMP DRAIN BANJO
43	037393	1	SEAL, LEAD WIRE
44	036819	1	BOLT, BANJO-SUMP DRAIN
45-1	033691	1	HOSE, SUMP DRAIN
45-2	034746	1	HOSE, SUMP DRAIN V-DRIVE
46	024922	1	BRACKET, SUMP DRAIN HOSE
47	024905	1	CAP, SUMP DRAIN HOSE

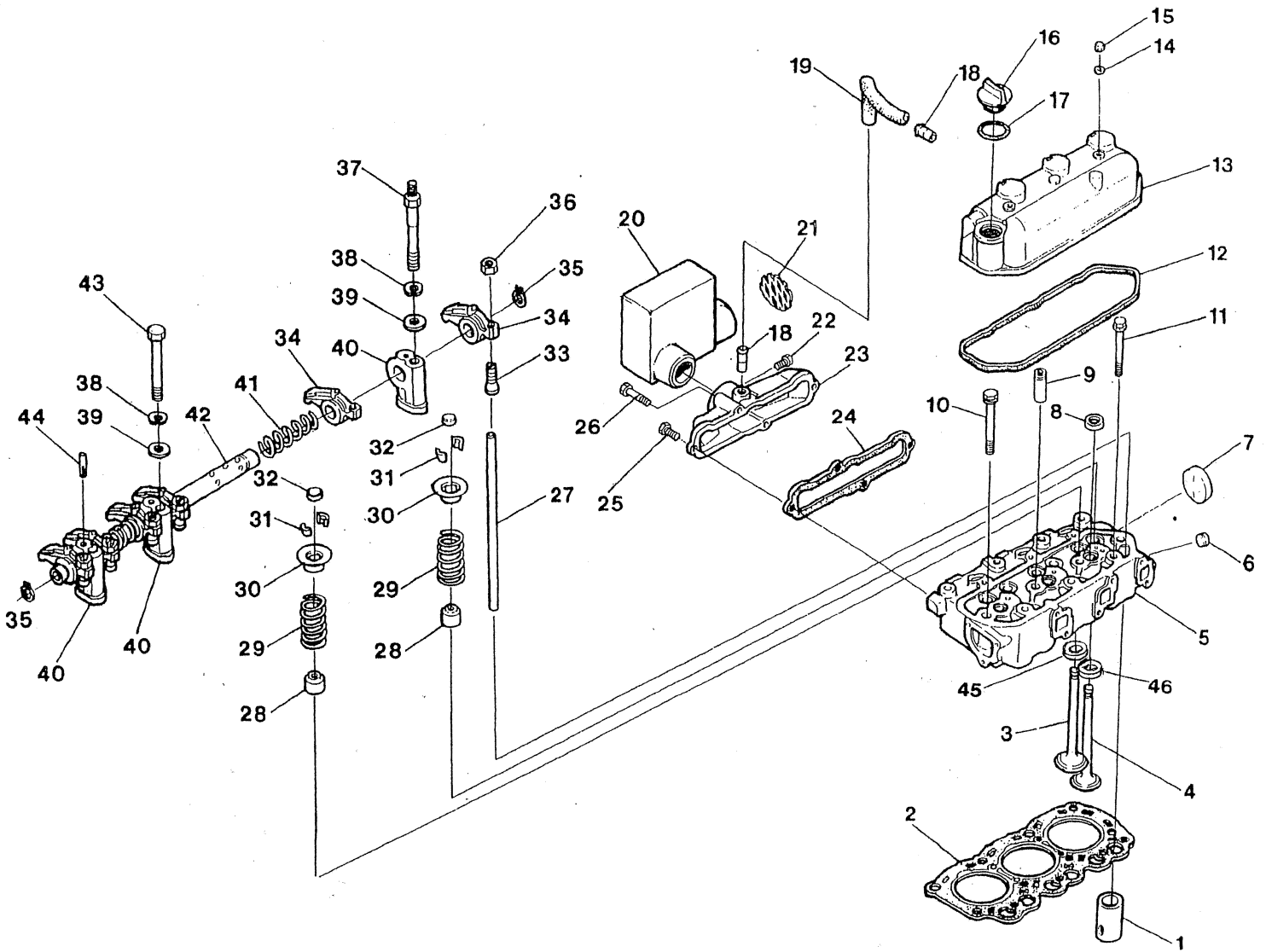
WESTERBEKE 20B TWO - CYLINDER HEAD - VALVES - ROCKER SHAFT



WESTERBEKE 20B TWO - CYLINDER HEAD - VALVES - ROCKER SHAFT

Item	Part No.	Quantity	Name/Description
1	037056	4	TAPPET
2	036977	1	GASKET, CYLINDER HEAD
3	036958	2	VALVE, INTAKE
4	036959	2	VALVE, EXHAUST
5	037085	1	HEAD, CYLINDER INCLUDING GUIDES
6	030711	1	PLUG, 1/8 BSPT DIN 906
7	033657	1	PLUG, EXPANSION 40MM DIN 443
8	036919	2	BOLT, CYLINDER HEAD M 8 X 70
9	036954	6	BOLT, CYLINDER HEAD M10 X 83
10	033134	4	GUIDE, VALVE
11	024369	2	PLUG, EXPANSION 20MM DIN 443
12	037039	1	GASKET, ROCKER COVER
13	037052	1	COVER, ROCKER
14	031784	2	WASHER, M 6 DIN 125
15	036936	2	NUT, CAP M 6
16-1	033126	1	CAP, OIL FILLER INCLUDING O-RING (<i>Metal</i>)
16-2	041487	1	CAP, OIL FILL (<i>Rubber</i>)
17	033123	1	O-RING, OIL FILLER CAP
18	030219	2	NIPPLE, BREATHER HOSE
19	037046	1	HOSE, BREATHER
20	037191	1	SILENCER, AIR INTAKE
21	034620	1	SCREEN, AIR INTAKE SILENCER
22-1	017012	1	CAPSCREW, M 6 X 16 DIN 933
22-2	031783	1	LOCKWASHER, M 6 DIN 127
22-3	031784	1	WASHER, M 6 DIN 125
23	037041	1	MANIFOLD, INTAKE
24	037042	1	GASKET, INTAKE MANIFOLD TO HEAD
25	018804	1	CAPSCREW, M 6 X 20 DIN 933
26	034642	2	CAPSCREW, M 6 X 45 DIN 931
27	037026	4	PUSHROD
28	030242	4	SEAL, VALVE STEM
29	036986	4	SPRING, VALVE
30	033149	4	SEAT, VALVE SPRING
31	030241	8	COLLET, VALVE SPRING
32	036979	4	CAP, VALVE STEM
33	037029	4	SCREW, ROCKER ADJUSTING
34	037027	4	ROCKER,
35	033124	2	SNAPRING,
36	031801	4	NUT, M 6 JAM
37	037053	2	BOLT, ROCKER BRACKET
38	031786	2	LOCKWASHER, M 8 DIN 127
39	031787	2	WASHER, M 8 DIN 125
40	033152	2	BRACKET, ROCKER
41	033151	1	SPRING, ROCKER SHAFT
42	036971	1	SHAFT, ROCKER
43	036960	1	PIN, GROOVED

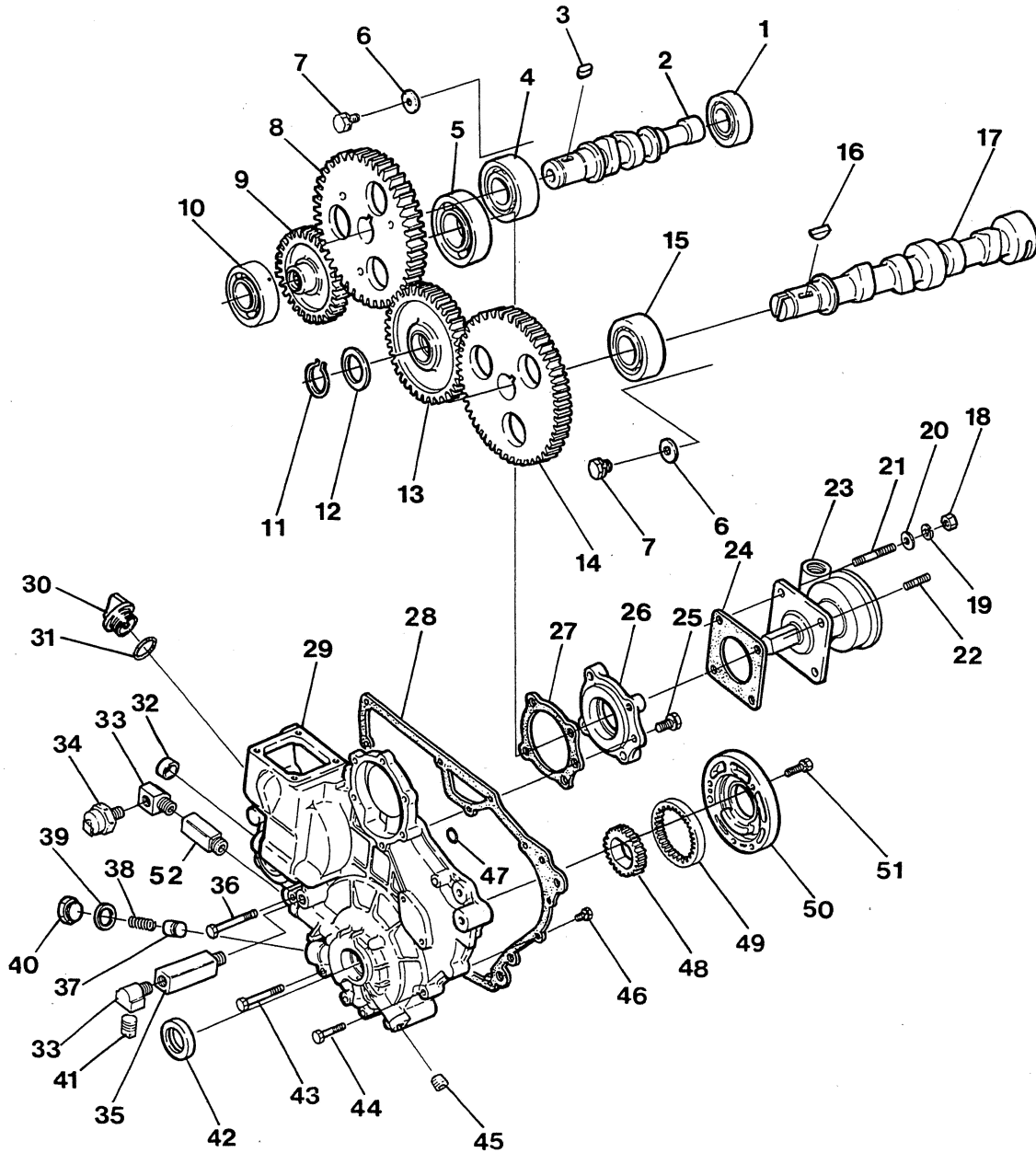
WESTERBEKE 30B/C THREE - CYLINDER HEAD - VALVES - ROCKER SHAFT



WESTERBEKE 30B/C THREE - CYLINDER HEAD - VALVES - ROCKER SHAFT

Item	Part No.	Quantity	Name/Description
1	037056	6	TAPPET
2	036969	1	GASKET, CYLINDER HEAD
3	036958	3	VALVE, INTAKE
4-1	036959	3	VALVE, 24.7 MM DIAMETER
4-2	056139	3	VALVE, EXHAUST - 24.72 MM DIAMETER
5-1	037084	1	HEAD, CYLINDER INCLUDING GUIDES
5-2	056137	1	HEAD, CYLINDER INCLUDING GUIDES & VALVE SEAT INSERTS
6	030711	1	PLUG, 1/8 BSPT DIN 906
7	033657	1	PLUG, EXPANSION 40MM DIN 443
8	024369	3	PLUG, EXPANSION 20MM DIN 443
9	033134	6	GUIDE, VALVE
10	036954	8	BOLT, CYLINDER HEAD M10 X 83
11	036919	3	BOLT, CYLINDER HEAD M 8 X 70
12	037007	1	GASKET, ROCKER COVER
13-1	037087	1	COVER, ROCKER
13-2	056138	1	COVER, ROCKER INCLUDING GASKET FROM SERIAL # 32840
14	031784	2	WASHER, M 6 DIN 125
15	036936	2	NUT, CAP M 6
16-1	033126	1	CAP, OIL FILLER INCLUDING O-RING
16-2	041487	1	CAP, OIL FILL (Rubber)
17	033123	1	O-RING, OIL FILLER CAP
18	030219	2	NIPPLE, BREATHER HOSE
19	037046	1	HOSE, BREATHER
20	036342	1	SILENCER, AIR INTAKE
21	034620	1	SCREEN, AIR INTAKE SILENCER
22-1	017012	1	CAPSCREW, M 6 X 16 DIN 933
22-2	031783	1	LOCKWASHER, M 6 DIN 127
22-3	031784	1	WASHER, M 6 DIN 125
23	037008	1	MANIFOLD, INTAKE
24	036980	1	GASKET, INTAKE MANIFOLD TO HEAD
25	018804	2	CAPSCREW, M 6 X 20 DIN 933
26	034642	2	CAPSCREW, M 6 X 45 DIN 931
27	037026	6	PUSHROD
28	030242	6	SEAL, VALVE STEM
29	036986	6	SPRING, VALVE
30	033149	6	SEAT, VALVE SPRING
31	030241	12	COLLET, VALVE SPRING
32	036979	6	CAP, VALVE STEM
33	037029	6	SCREW, ROCKER ADJUSTING
34	037027	6	ROCKER
35	033124	2	SNAPRING
36	031801	6	NUT, M 6 JAM
37	037053	2	BOLT, ROCKER BRACKET
38	031786	3	LOCKWASHER, M 8 DIN 127
39	031787	3	WASHER, M 8 DIN 125
40	033152	3	BRACKET, ROCKER
41	033151	2	SPRING, ROCKER SHAFT
42	036967	1	SHAFT, ROCKER
43	031225	1	CAPSCREW, M 8 X 60 DIN 931
44	036960	1	PIN, GROOVED
45	056155	3	SEAT, EXHAUST VALVE CYLINDER HEAD 056137
46	056156	3	SEAT, INTAKE VALVE CYLINDER HEAD 056137

WESTERBEKE 20B TWO - 30B/C THREE - CAMSHAFT - TIMING SYSTEM

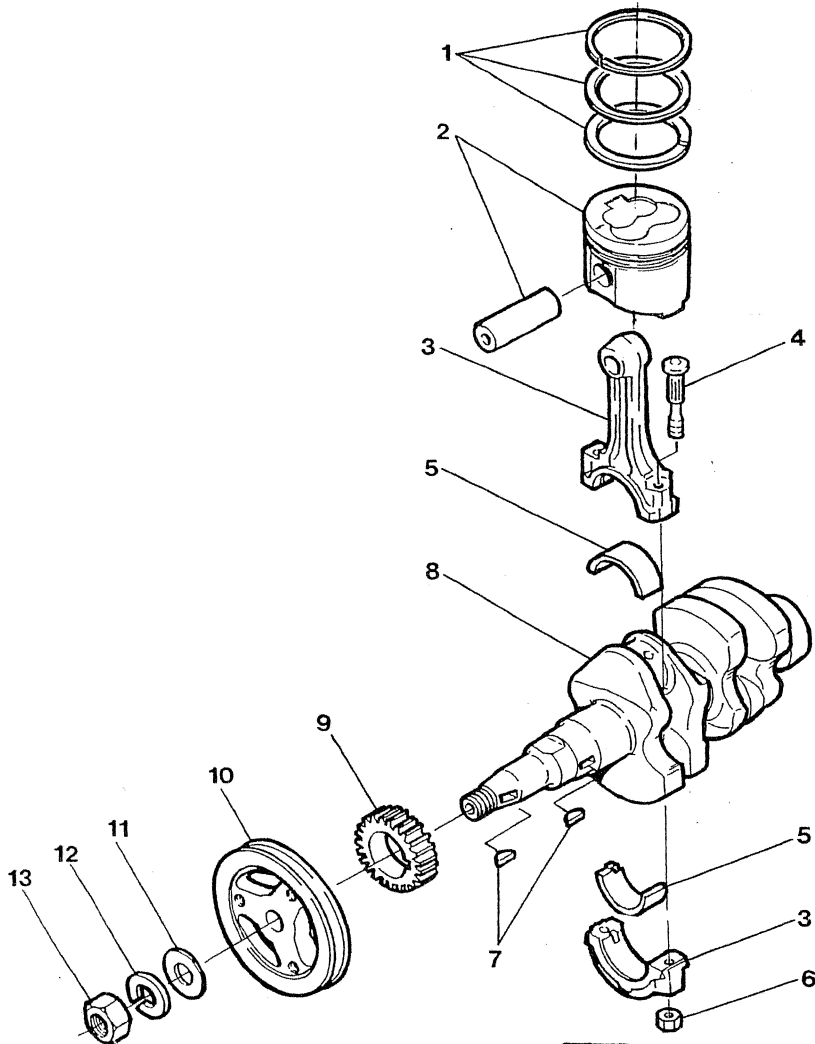


WESTERBEKE 20B TWO - 30B/C THREE - CAMSHAFT - TIMING SYSTEM

Item	Part No.	Quantity	Name/Description
1	036949	1	BEARING, BALL
2-1	037076	1	CAMSHAFT, INJECTION PUMP 2 CYLINDER
2-2	037075	1	CAMSHAFT, INJECTION PUMP 3 CYLINDER
3	030273	1	KEY
4	036948	1	BEARING, BALL
5	036950	1	BEARING, BALL
6	036970	1	WASHER, CAMSHAFT RETAINING
7-1	031825	2	CAPSCREW, M 6 X 12 DIN 933
7-2	031783	2	LOCKWASHER, M 6 DIN 127
8	037006	2	GEAR, INJECTION PUMP CAMSHAFT
9	036996	1	GEAR, SEA WATER PUMP DRIVE
10	036948	1	BEARING, BALL
11	030280	1	SNAPRING, 20
12	036978	1	SPACER
13	037025	1	GEAR, IDLER
14	036995	1	GEAR, CAMSHAFT
15	036948	1	BEARING, BALL
16	030274	1	KEY, WOODRUFF
17-1	036972	1	CAMSHAFT, 2 CYLINDER
17-2	037017	1	CAMSHAFT, 3 CYLINDER
18	018242	1	NUT, M 8 DIN 934
19	031786	4	LOCKWASHER, M 8 DIN 127
20	031787	4	WASHER, M 8 DIN 125
21	031281	4	STUD, M 8 X 40 DIN 939
22	015828	3	STUD, M 8 X 22 DIN 939
23-1	033636	1	PUMP, SEA WATER (Early Models)
23-2	048080	1	PUMP, SEAWATER (Current Models)
24	030326	1	GASKET, SEA WATER PUMP MOUNTING
25-1	013630	1	CAPSCREW, M 8 X 25 DIN 933
25-2	031786	1	LOCKWASHER, M 8 DIN 127
26	036946	1	HOUSING, BEARING
27	036982	1	GASKET, HOUSING
28	037019	1	GASKET, GEAR CASE
29	037086	1	CASE, GEAR
30-1	033126	1	CAP, OIL FILLER INCLUDING O-RING (Metal)
30-2	041487	1	CAP, OIL FILLER (Rubber)
31	033123	1	O-RING, OIL FILLER CAP
32	036968	1	CAP, SEALING
33	013340	2	ELBOW, 1/8 NPT STREET 90
34-1	034761	1	SWITCH, OIL PRESSURE 1 TERMINAL TO 12/88
34-2	037323	1	SWITCH, OIL PRESSURE 2 TERNINAL FROM 12/88
35	024844	1	ADAPTER, 1/8 BSPT TO 1/8 NPT
36	034397	1	CAPSCREW, M 6 X 65 DIN 931
37	030244	1	PLUNGER, OIL RELIEF VALVE
38	037030	1	SPRING, OIL RELIEF VALVE
39	03022S	1	GASKET, OIL RELIEF VALVE PLUG
40	030461	1	PLUG, OIL RELIEF VALVE
41-1	011615	1	PLUG, 1/8 NPT
41-2	024132	1	SENDER, OIL PRESSURE-OPTIONAL ADMIRAL PANEL
42	036915	1	SEAL, OIL
43	030146	1	CAPSCREW, M 6 X 55 DIN 931
44	031824	4	CAPSCREW, M 6 X 35 DIN 933
45	030712	3	PLUG, 1/4 BSPT DIN 906
46-1	031810	1	CAPSCREW, M 6 DIN 933
46-2	031783	4	LOCKWASHER, M 6 X 14 DIN 933
47	036938	4	O-RING, M 6 DIN 127
48	037050	2	GEAR, OIL PUMP INNER
49	037051	1	GEAR, OIL PUMP OUTER
50	037070	1	HOUSING, OIL PUMP
51-1	013590	3	CAPSCREW, M 6 X 30 DIN 933
51-2	031783	3	LOCKWASHER, M 6 DIN 127
52	037508	1	ADAPTER, 1/8 BSPT TO 1/8 NPT

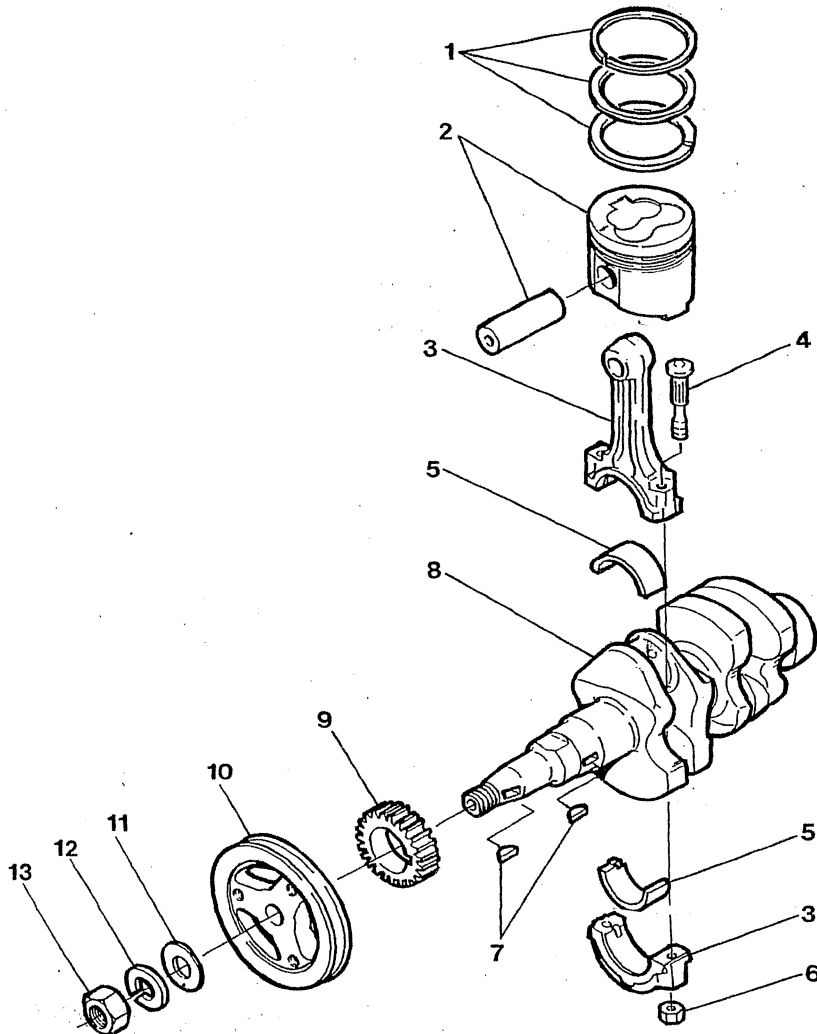
WESTERBEKE 20B TWO - CRANKSHAFT - PISTONS

Item	Part No.	Quantity	Name/Description
1-1	037047	2	RING SET, PISTON STD
1-2	037060	2	RING SET, PISTON 0.25 MM
1-3	037061	2	RING SET, PISTON 0.50 MM
2-1	037071	2	PISTON, INCLUDING PIN STD (18MM PIN)
2-2	037058	2	PISTON, INCLUDING PIN 0.25 MM (18MM PIN)
2-3	037059	2	PISTON, INCLUDING PIN 0.50 MM (18MM PIN)
2-4	052437	2	PISTON, INCLUDING PIN STD (21MM PIN)
2-5	052438	2	PISTON, INCLUDING PIN 0.25 MM (21MM PIN)
2-6	052439	2	PISTON, INCLUDING PIN 0.50 MM (21MM PIN)
3-1	037077	2	ROD, CONNECTING INCLUDING BOLT & NUT
3-2	052440	2	ROD, CONNECTING INCLUDING BOLT & NUT
4	036914	4	BOLT, CONNECTING ROD
5-1	037069	2	BEARING, SET-CONNECTING ROD STD
5-2	037066	2	BEARING, SET-CONNECTING ROD 0.25 MM
5-3	037067	2	BEARING, SET-CONNECTING ROD 0.50 MM
6	030231	4	NUT, CONNECTING ROD BOLT
7	030274	2	KEY, WOODRUFF
8	036992	1	CRANKSHAFT
9	036994	1	GEAR, CRANKSHAFT
10	037083	1	PULLEY, CRANKSHAFT
11	037167	1	WASHER, M 16
12	037168	1	LOCKWASHER, M 16
13	033538	1	NUT, M 16 JAM

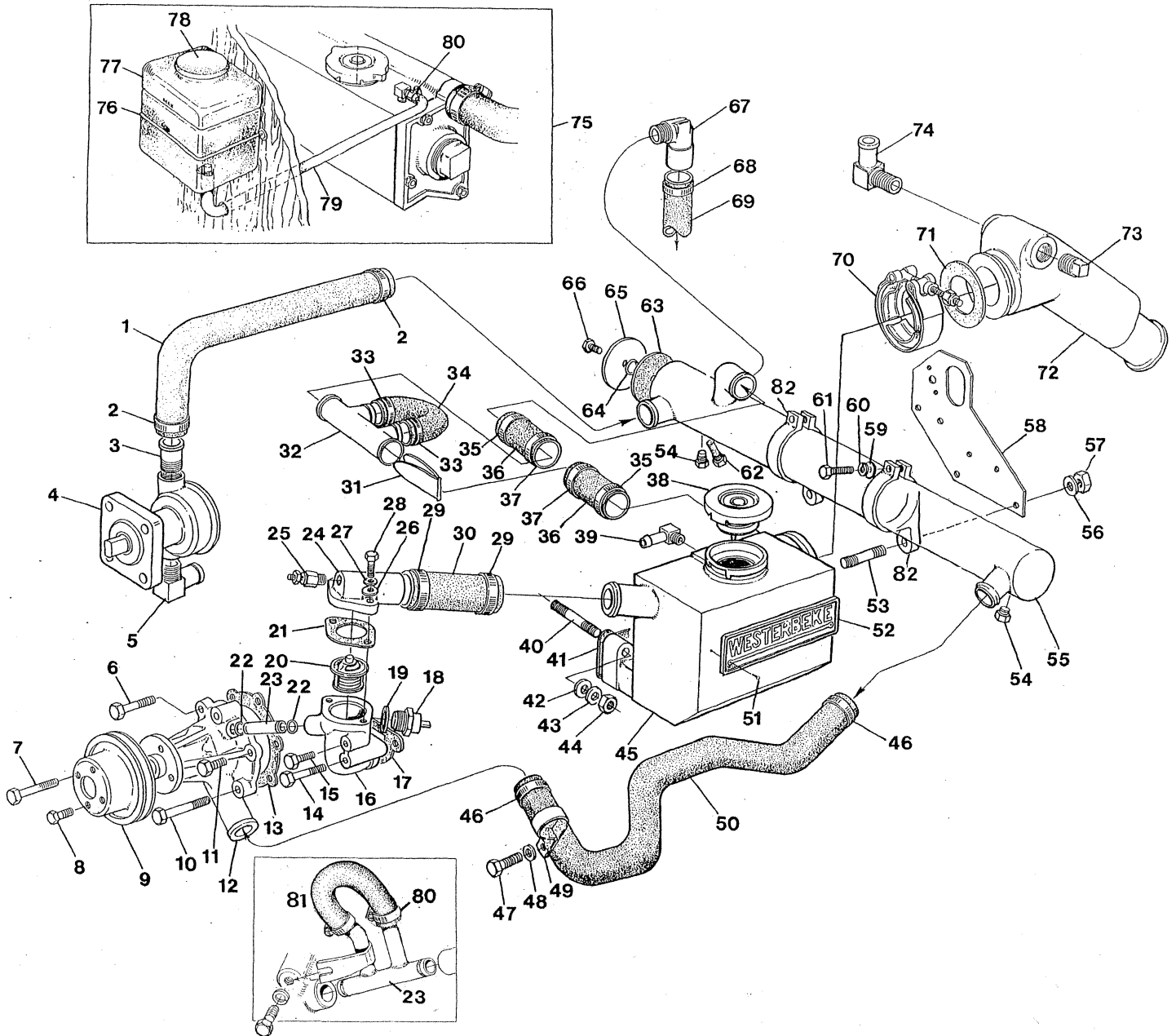


WESTERBEKE 30B/C THREE - CRANKSHAFT - PISTONS

Item	Part No.	Quantity	Name/Description
1-1	037047	3	RING SET, PISTON STD
1-2	037060	3	RING SET, PISTON 0.25 MM
1-3	037061	3	RING SET, PISTON 0.50 MM
2-1	037071	3	PISTON, INCLUDING PIN STD
2-2	037058	3	PISTON, INCLUDING PIN 0.25 MM
2-3	037059	3	PISTON, INCLUDING PIN 0.50 MM
3	037077	3	ROD, CONNECTING INCLUDING BOLT & NUT
4	036914	6	BOLT, CONNECTING ROD
5-1	037069	3	BEARING, SET-CONNECTING ROD STD
5-2	037066	3	BEARING, SET-CONNECTING ROD 0.25 MM
5-3	037067	3	BEARING, SET-CONNECTING ROD 0.50 MM
6	030231	6	NUT, CONNECTING ROD BOLT
7	030274	2	KEY, WOODRUFF
8-1	036991	1	CRANKSHAFT, TO DECEMBER 1992
8-2	040926	1	CRANKSHAFT, FROM DECEMBER 1992
9	036994	1	GEAR, CRANKSHAFT
10-1	036993	1	PULLEY, CRANKSHAFT 36991
10-2	040925	1	PULLEY, CRANKSHAFT 40926
11	037167	1	WASHER, M16
12	037168	1	LOCKWASHER, M16
13	033538	1	NUT, M16 JAM



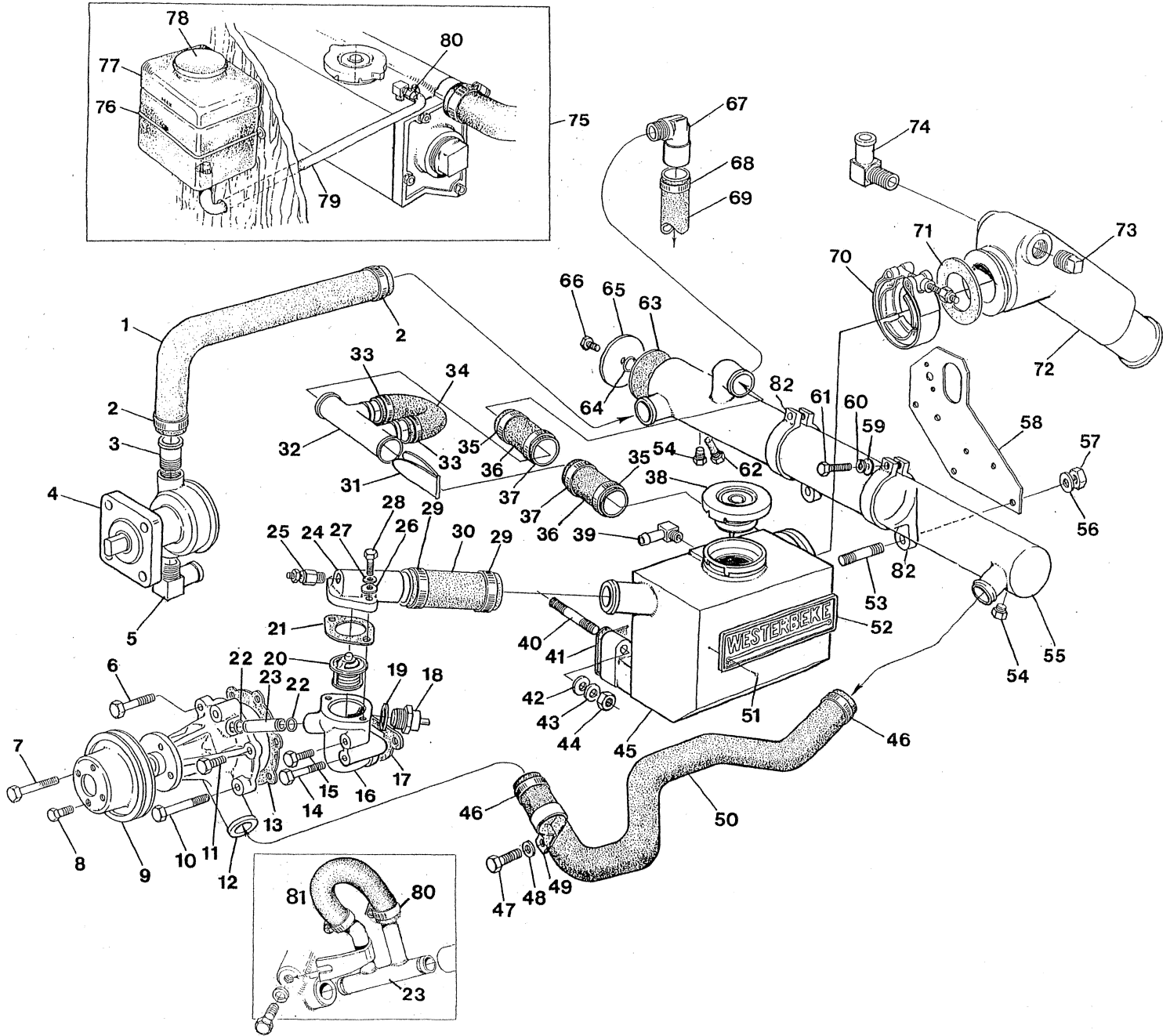
WESTERBEKE 20B TWO-COOLING SYSTEM



WESTERBEKE 20B TWO- COOLING SYSTEM

Item	Part No.	Quantity	Name/Description
1	037157	1	HOSE, SEA WATERPUMP TO EXCHANGER
2	011386	2	CLAMP, HOSE 12
3	034712	1	NIPPLE, 3/8 NPT TO 7/8 HOSE
4	033636	1	PUMP, SEA WATER
5	036612	1	ELBOW, 1/8 NPT TO 1 HOSE
6	031824	1	CAPSCREW, M 6 X 35 DIN 933
7	034642	1	CAPSCREW, M 6 X 45 DIN 931
8-1	031825	4	CAPSCREW, M 6 X 12 DIN 933
8-2	031783	4	LOCKWASHER, M 6 DIN 127
9	030386	1	PULLEY, FRESH WATER PUMP
10	030146	2	CAPSCREW, M 6 X 55 DIN 931
11	018804	2	CAPSCREW, M 6 X 20 DIN 933
12	037015	1	PUMP, FRESH WATER
13	036957	1	GASKET, FRESH WATER PUMP
14	033351	1	CAPSCREW, M 6 X 60 DIN 931
15	018804	2	CAPSCREW, M 6 X 20 DIN 933
16	037057	1	HOUSING, THERMOSTAT LOWER
17	037016	1	GASKET, THERMOSTAT HOUSING LOWER
18	037493	1	SWITCH, WATER TEMPERATURE INCLUDING GASKET
19	037162	1	GASKET, WATER TEMPERATURE SWITCH
20	037043	1	THERMOSTAT
21	036956	1	GASKET, THERMOSTAT
22	036937	2	O-RING, 9MM
23-1	036947	1	LINE, THERMOSTAT BYPASS
23-2	042743	1	BY-PASS, WATER HEATER
24	036228	1	HOUSING, THERMOSTAT
25-1	019369	1	PLUG, 1/8 NPT BRASS
25-2	035109	1	SENDER, WATER TEMPERATURE -OPTIONAL ADMIRAL PANEL
25-3	037453	1	BUSHING, 1/4 NPT TO 1/8 NPT
26	031784	2	WASHER, M 6 DIN 125
27	031783	2	LOCKWASHER, M 6 DIN 127
28	018804	2	CAPSCREW, M 6 X 20 DIN 933
29	011405	2	CLAMP, HOSE 16
30	037383	1	HOSE, THERMOSTAT TO MANIFOLD
31	030165	1	SPRING, FLOW CONTROL
32	037152	1	HOUSING, FLOW CONTROL 3/4 HOSE CONNECTION
33	011386	1	CLAMP, HOSE 12
34	036654	1	HOSE, RETURNBEND 3/4 - WHEN HEATER NOT INSTALLED
35	011405	1	CLAMP, HOSE 16
36-1	036556	1	HOSE, FLOWCONTROL 1 1/8 ID
36-2	042739	1	HOSE, MANIFOLD TO HEAT EXCHANGER
37	021878	2	CLAMP, HOSE 20
38	024306	1	CAP, PRESSURE
39	024907	1	ELBOW, COOLANT RECOVERY TANK CONNECTION
40	015830	4	STUD, M 8 X 25 DIN 939
41	036973	1	GASKET, MANIFOLD TO HEAD
42	031787	4	WASHER, M 8 DIN 125
43	031786	4	LOCKWASHER, M 8 DIN 127
44	018242	4	NUT, M 8 DIN 934
45	037311	1	MANIFOLD, EXHAUST

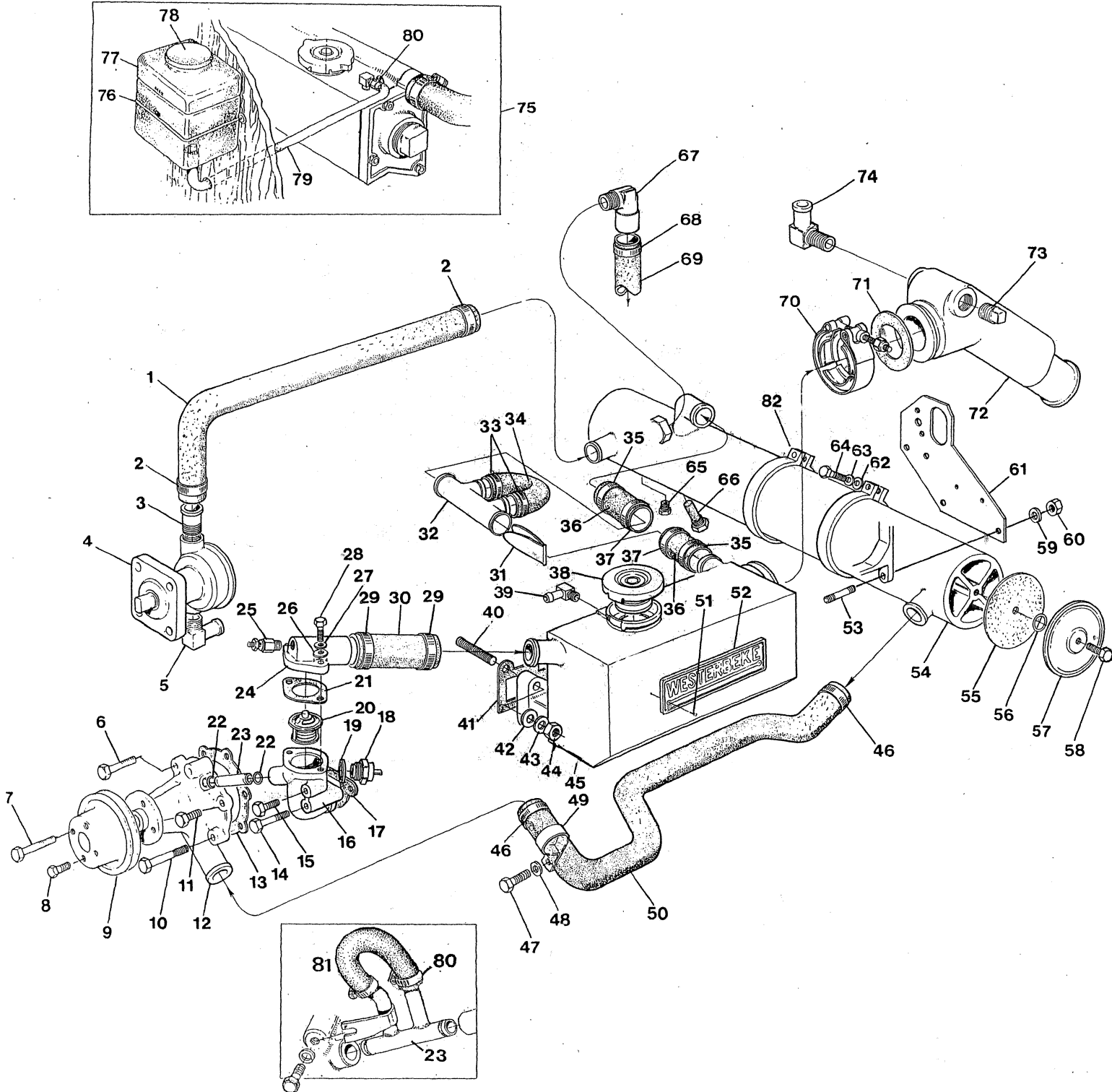
WESTERBEKE 20B TWO-COOLING SYSTEM



WESTERBEKE 20B TWO- COOLING SYSTEM

Item	Part No.	Quantity	Name/Description
46	011405	2	CLAMP, HOSE 16
47	031825	1	CAPSCREW, M 6 X 12 DIN 933
48-1	031781	1	LOCKWASHER, M 6 DIN 127
48-2	031784	1	WASHER, M 6 DIN 125
49	013741	1	CLAMP, SUPPORT HOSE
50	037506	1	HOSE, EXCHANGER TO PUMP
51	031935	2	SCREW, 8-32 X 1/4 SS OVAL
52	036809	1	NAMEPLATE
53-1	015830	1	STUD, 11 8 X 25 DIN 939
53-2	015831	1	STUD, 11 8 X 32 DIN 939
54	019369	2	PLUG, 1/8 NPT BRASS 1
55	037587	1	EXCHANGER, HEAT
56	031786	2	LOCKWASHER, M 8 DIN 127
57	018242	2	NUT, M 8 DIN 934
58	—	1	BRACKET, FUEL FILTER REFER TO FUEL PAGE
59	031753	2	WASHER, FLAT 1/4
60	031752	2	LOCKWASHER, 1/4
61	031506	2	CAPSCREW, 1/4NC X 1-1/4
62	011885	1	ZINC
63	033298	1	GASKET, EXCHANGER END COVER
64	019321	1	O-RING
65	033297	1	COVER, EXCHANGERE END
66	033402	1	CAPSCREW, 5/16NC X 1/2 BRASS
67	036614	1	ELBOW, 3/4 NPT TO 1 HOSE
68	011405	1	CLAMP, HOSE 16
69	037154	1	HOSE, EXCHANGER TO JS TRANSMISSION
70	036541	1	CLAMP, EXHAUST ELBOW TO MANIFOLD
71	036425	1	GASKET, EXHAUST ELBOW TO HANIFOLD
72-1	037401		ELBOW KIT, WATER INJECTED EXHAUST 90 DEG INCL. 70-74
72-2	037402	1	ELBOW KIT, WATER INJECTED EXHAUST 45 DEG INCL. 70-74
73-1	036849	1	PLUG, 3/4 NPT ELBOW 036732
73-1	035747	1	PLUG, 1/2 NPT ELBOW 036547
74-1	036614	1	ELBOW, 3/4 NPT TO 1 HOSE ELBOW 036732
74-2	036616	1	ELBOW, 1/2 NPT TO 1 HOSE ELBOW 036547
75	024977	1	KIT, COOLANT RECOVERY TANK
76	024786	1	STRAP, COOLANT RECOVERY TANK MOUNTING
77	024704	1	TANK, COOLANT RECOVERY
78	024858	1	CAP, COOLANT RECOVERY TANK
79	056526	30	HOSE, INCHES REQUIRED (5/16 ID)
80	024906	4	CLAMP, HOSE (MINI #4)
81	042742	1	HOSE, HEATER BY-PASS
82	034952	2	CLAMP, HEAT EXCHANGER MOUNTING

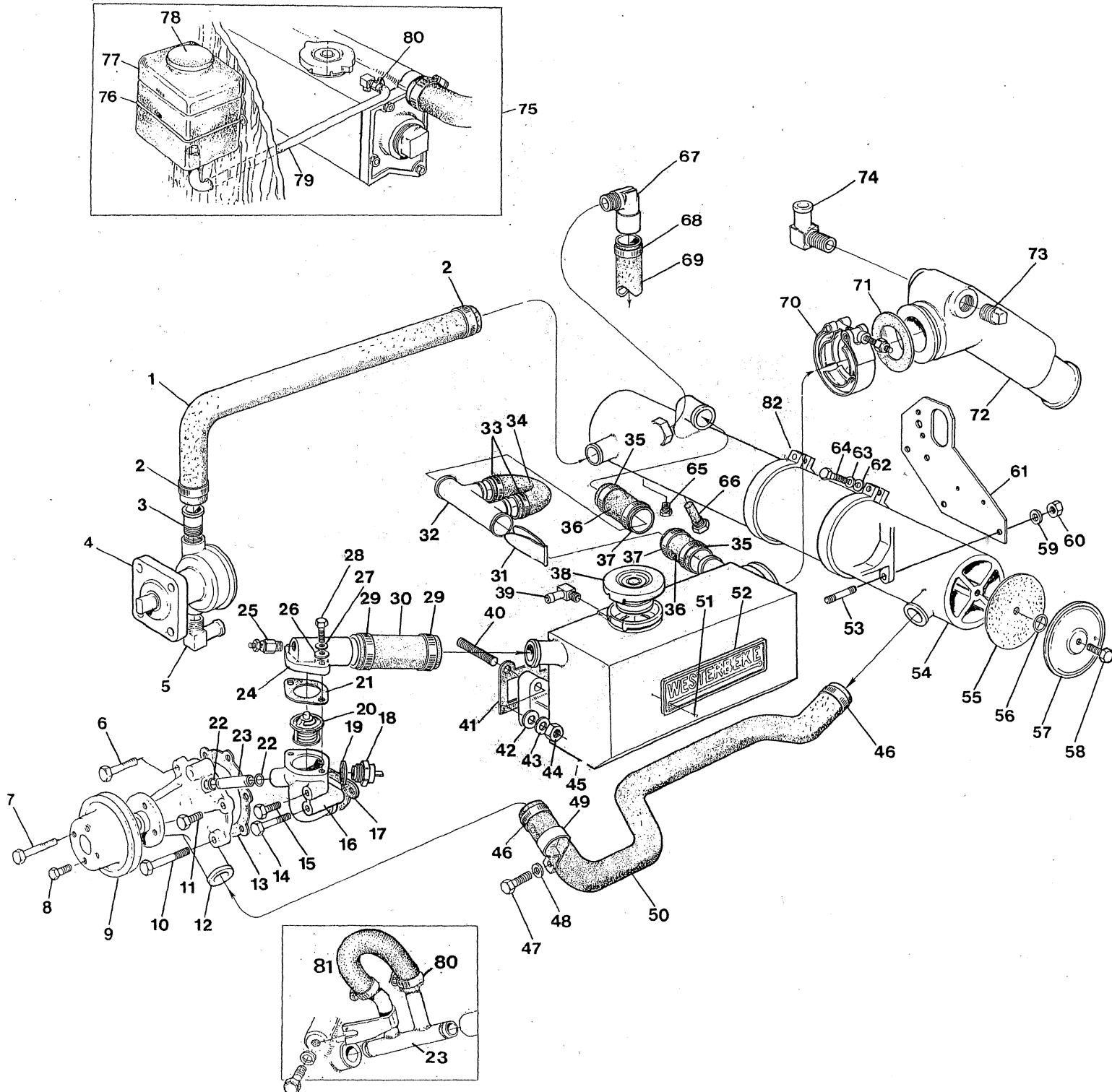
WESTERBEKE 30B/C THREE - COOLING SYSTEM



WESTERBEKE 30B/C THREE - COOLING SYSTEM

Item	Part No.	Quantity	Name/Description
1	037158	1	HOSE, SEA WATER PUMP TO EXCHANGER
2	011386	2	CLAMP, HOSE 12
3	034712	1	NIPPLE, 3/8 NPT TO 7/8 HOSE
4	033636	1	PUMP, SEA WATER
5	036612	1	ELBOW, 3/8 NPT TO I HOSE
6	031824	1	CAPSCREW, M 6 X 35 DIN 933
7	034642	1	CAPSCREW, M 6 X 45 DIN 931
8-1	031825	4	CAPSCREW, M 6 X 12 DIN 933
8-2	031783	4	LOCKWASHER, M 6 DIN 127
9	030386	1	PULLEY, FRESH WATER PUMP
10	030146	2	CAPSCREW, M 6 X 55 DIN 931
11	018804	2	CAPSCREW, M 6 X 20 DIN 933
12	037015	1	PUMP, FRESH WATER
13	0369S7	1	GASKET, FRESH WATER PUMP
14	033351	1	CAPSCREW, M 6 X 60 DIN 931
15	018804	2	CAPSCREW, M 6 X 20 DIN 933
16	037057	1	HOUSING, THERMOSTAT LOWER
17	037016	1	GASKET, THERMOSTAT HOUSING LOWER
18	037493	1	SWITCH, WATER TEMPERATURE INCLUDING GASKET
19	037162	1	GASKET, WATER TEMPERATURE SWITCH
20	037043	1	THERMOSTAT
21	036956	1	GASKET, THERMOSTAT
22	036937	2	O-RING
23-1	036947	1	LINE, THERMOSTAT BYPASS
23-2	042743	1	BY-PASS, WATER HEATER
24	036228	1	HOUSING, THERMOSTAT
25-1	019369	1	PLUG, 1/8 NPT BRASS
25-2	035109	1	SENDER, WATER TEMPERATURE-OPTIONAL ADMIRAL PANEL
25-3	037453	1	BUSHING, 1/4 NPT TO 1/8 NPT
26	031784	2	WASHER, M 6 DIN 125
27	031783	2	LOCKWASHER, M 6 DIN 127
28	018804	2	CAPSCREW, M 6 X 20 DIN 933
29	011405	2	CLAMP HOSE 16
30	037383	1	HOSE, THERMOSTAT TO MANIFOLD
31	030165	1	SPRING, FLOWCONTROL
32	037152	1	HOUSING, FLOWCONTROL 3/4 HOSE CONNECTION
33	011386	2	CLAMP, HOSE 12
34	036654	1	HOSE, RETURNBEND 3/4 WHEN HEATER NOT INSTALLED
35	011405	2	CLAMP, HOSE 16
36-1	039885	2	HOSE FLOWCONTROL 1 1/8 ID
36-1	042739	1	HOSE, MANIFOLD TO EXCHANGER
37	021878	2	CLAMP, HOSE 20
38	024306	1	CAP, PRESSURE
39	024907	1	ELBOW, COOLANT RECOVERY TANK CONNECTION
40	015830	6	STUD, M 8 X 25 DIN 939
41	036955	1	GASKET, MANIFOLD TO HEAD
42	011787	4	WASHER, M 8 DIN 125
43	031786	4	LOCKWASHER M 8 DIN 127
44	018242	4	NUT, M 8 DIN 934
45	037312	1	MANIFOLD, EXHAUST

WESTERBEKE 30B/C THREE - COOLING SYSTEM

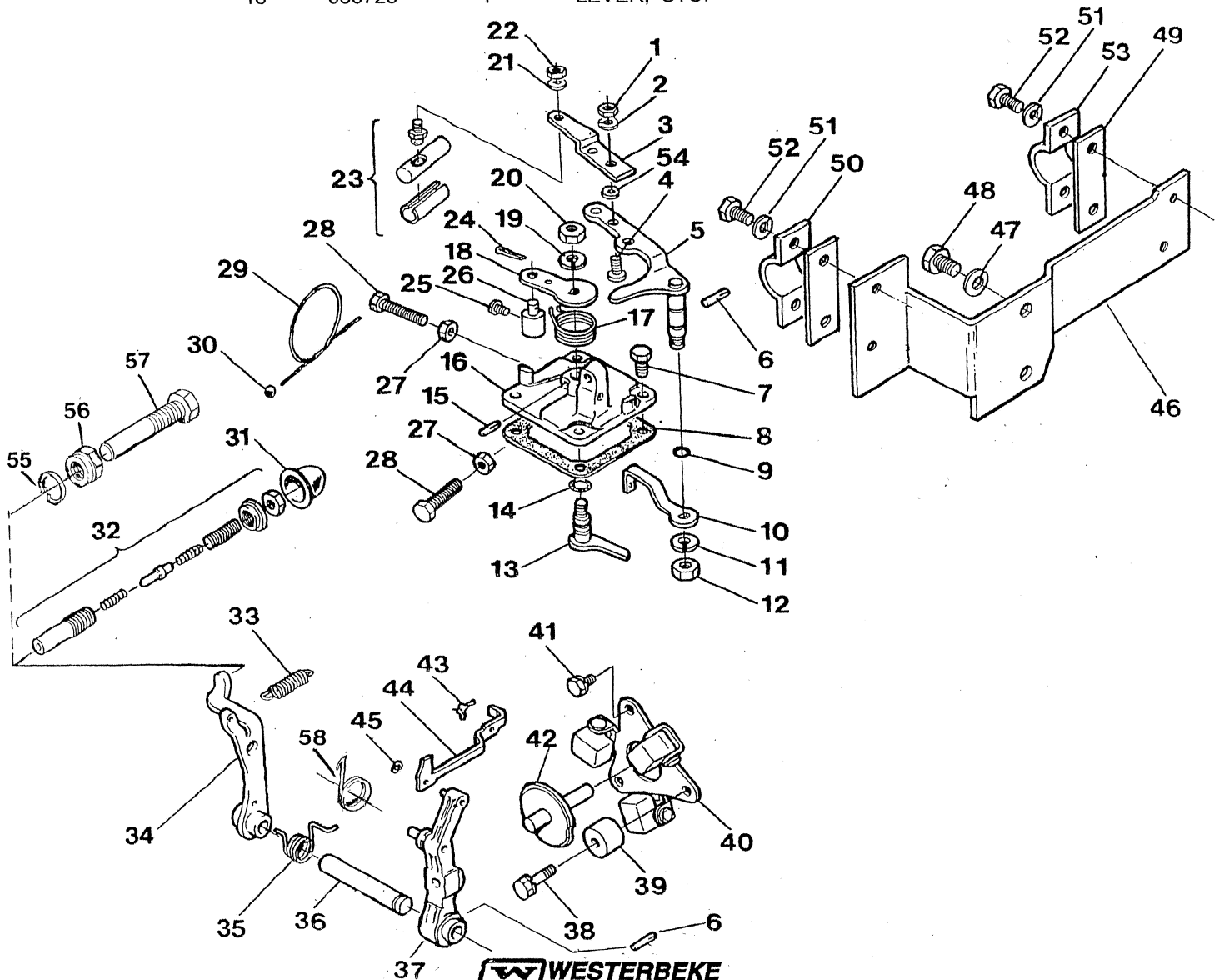


WESTERBEKE 30B/C THREE - COOLING SYSTEM

Item	Part No.	Quantity	Name/Description
46	011405	2	CLAMP, HOSE 16
47	031825	1	CAPSCREW, 6 X 12 DIN 933
48-1	031783	1	LOCKWASHER, M 6 DJN 127
48-2	031784	1	WASHER, M 6 DIN 125
49	012292	1	CLAMP, SUPPORT HOSE
50	036691	1	HOSE, EXCHANGER TO PUMP 1 1/8 ID
51	031935	2	SCREW, 8-32 X 1/4 SS OVAL HEAD
52	035411	1	NAMEPLATE
53-1	015830	1	STUD, M 8 X 25 DIN 939
53-2	015831	1	STUD, M 8 X 32 DIN 939
54-1	037564	1	EXCHANGER, HEAT (COPPER)
54-2	044194	1	EXCHANGER, HEAT (CUPRO-NICKLE)
55	022851	2	GASKET, EXCHANGER END COVER
56	019321	2	O-RING
57	022850	2	COVER, EXCHANGER END
58	022852	2	CAPSCREW, 1/8 NC X 1/2 BRASS
59	031786	2	LOCKWASHER, M 8 DIN 127
60	018242	2	NUT, M 8 DIN 934
61	—	1	BRACKET, FUEL FILTER REFER TO FUEL PAGE
62	031753	2	WASHER, FLAT 1/4
63	031752	2	LOCKWASHER, 1/4
64	031506	2	CAPSCREW, 1/4 NC X 1-1/4
65-1	019369	1	PLUG, 1/8 NPT BRASS
65-2	011471	1	PETCOCK, 1/8 NPT
66	011885	1	ZINC
67	036614	1	ELBOW, 3/4 NPT TO 1 HOSE
68	011405	1	CLAMP, HOSE 16
69	037154	1	HOSE, EXCHANGER TO JS TRANSMISSION
70	036541	1	CLAMP, EXHAUST ELBOW TO MANIFOLD
71	036425	1	GASKET, EXHAUST ELBOW TO MANIFOLD
72-1	037401	1	ELBOW KIT, WATER INJECTED EXHAUST 90 DEG INCL 70-74
72-2	037402	1	ELBOW KIT, WATER INJECTED EXHAUST 45 DEG INCL 70-74
73-1	036849	1	PLUG, 3/4 NPT ELBOW 036732
73-2	035747	1	PLUG, 1/2 NPT ELBOW 036547
74-1	036614	1	ELBOW, 3/4 NPT TO 1 HOSE ELBOW 036732
74-2	036616	1	ELBOW, 1/2 NPT TO 1 HOSE ELBOW 036547
75	024977	1	KIT, COOLANT RECOVER TANK
76	024786	1	STRAP, COOLANT RECOVERY TANK MOUNTING
77	024704	1	TANK, COOLANT RECOVERY
78	024858	1	CAP, COOLANT RECOVERY TANK
79	056527	30	HOSE, INCHES REQUIRED (5/16 ID)
80	024906	4	CLAMP, HOSE (MINI #4)
81	042742	1	HOSE, HEATER BY-PASS
82	034434	2	CLAMP, HEAT EXCHANGE MOUNTINGS

WESTERBEKE 20B TWO - 30B/C THREE - GOVERNOR SYSTEM

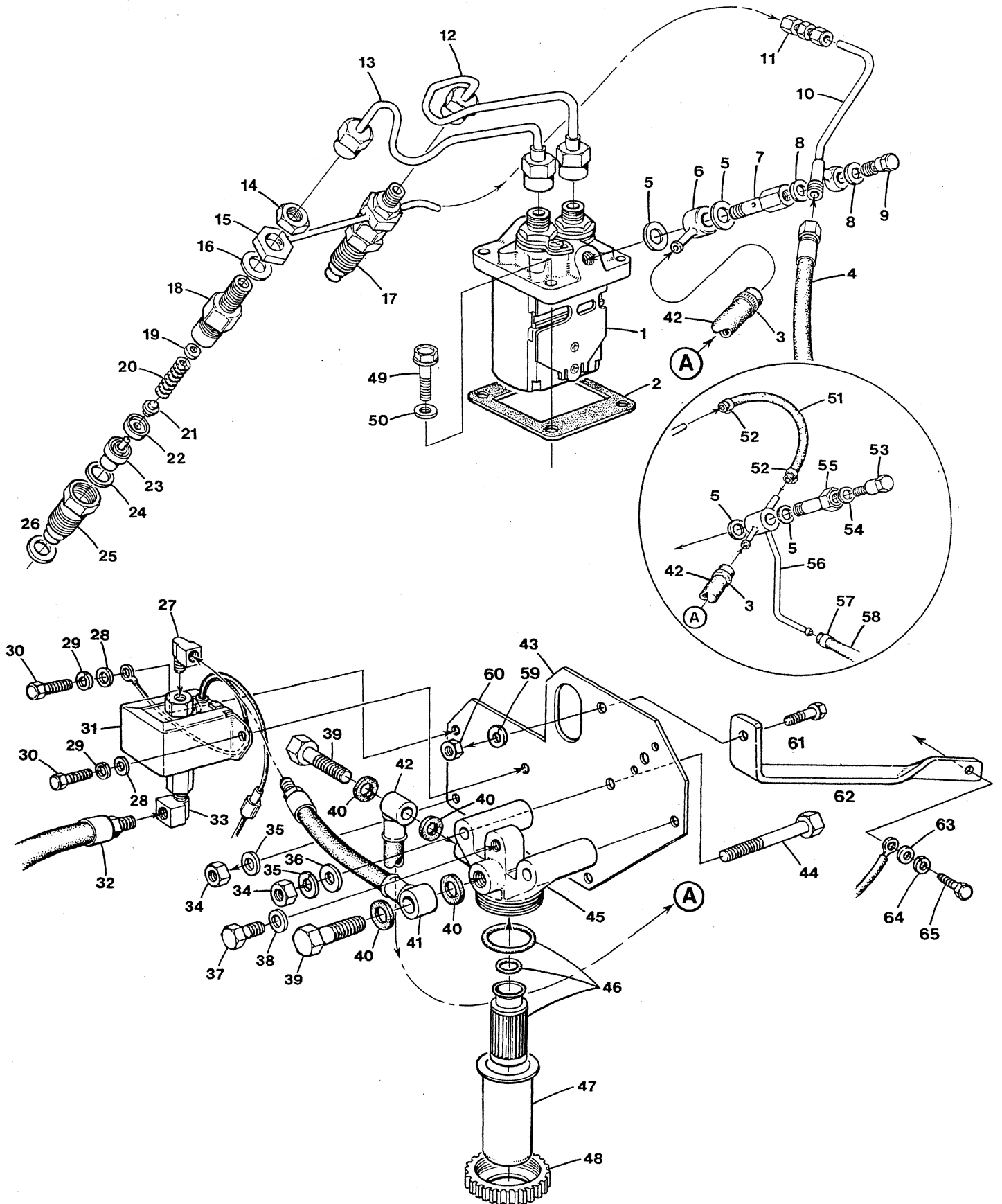
Item	Part No.	Quantity	Name/Description
1	031847	2	NUT, 10-32 SS
2	031849	2	LOCKWASHER, 10 SS
3	036847	1	LEVER, EXTENSION-THROTTLE
4	031872	2	SCREW, 10-32 X 1/2 SS BH
5	037090	1	LEVER, THROTTLE
6	036942	2	PIN, GROOVED
7	031825	4	CAPSCREW, M 6 X 12 DIN 933
8-1	037024	1	GASKET, GOVERNOR COVER
8-2	056146	1	GASKET, GOVERNOR COVER 30B/C FROM SERIAL # 186680
9	030277	1	O-RING
10	036989	1	LEVER, GOVERNOR SPRING
11	031786	1	LOCKWASHER, M 8 DIN 127
12	031802	1	NUT, M 8 JAM
13	—	1	LEVER, STOP - SEE REF 16
14	030277	1	O-RING
15	—	1	PIN, GROOVED - SEE REF 16
16	037602	1	COVER, ASSEMBLY-GOVERNOR INCL REF 13 THRU 20
17	—	1	SPRING, RETURN - SEE REF 16
18	036725	1	LEVER, STOP



WESTERBEKE 20B TWO - 30B/C THREE - GOVERNOR SYSTEM

Item	Part No.	Quantity	Name/Description
19	031786	1	LOCKWASHER, M 8 DIN 127
20	031802	1	NUT, M 8 JAM
21	031849	1	LOCKWASHER, 10 SS
22	031847	1	NUT, 10-32 SS
23	019364	1	BALL JOINT, THROTTLE CABLE
24	011796	1	COTTER PIN
25	031870	1	SCREW, 10-32 X 1/4 SS BH
26	019370	1	PIVOT
27	015812	2	NUT, M 6 DIN 934
28-1	030323	2	SCREW, SPEED SET
28-2	045255	1	BOLT, LOW SPEED 30B/C FROM SERIAL # 186680
28-3	043978	1	BOLT, HIGH SPEED 30B/C FROM SERIAL # 186680
29	030293	1	WIRE, LOCK ADJUSTING SCREW
30	030292	1	SEAL, LEAD
31-1	037044	1	CAP, TORQUE SET SEALING
31-2	042981	1	CAP, TORQUE SET SEALING 30B/C FROM SERIAL # 186680
32	037089	1	SPRING SET, TORQUE-PROPULSION
33	037048	1	SPRING, GOVERNOR-PROPULSION
34	037079	1	LEVER, TENSION
35	037081	1	SPRING, START-PROPULSION
36	037080	1	SHAFT, GOVERNOR
37	037078	1	LEVER, GOVERNOR
38-1	020628	1	CAPSCREW, M 6 X 25 DIN 933
38-2	031783	1	LOCKWASHER, M 6 DIN 127
39	033200	1	STOPPER, GOVERNOR
40	030449	1	WEIGHT, ASSEMBLY-GOVERNOR
41-1	015816	2	CAPSCREW, M 6 X 10 DIN 933
41-2	031783	2	LOCKWASHER, M 6 DIN 127
42	036941	1	SHAFT, GOVERNOR SLIDING
43-1	037022	1	CLIP, TIE ROD
43-2	056148	1	CLIP, TIE ROD 30B/C FROM SERIAL # 186680
43-3	056148	1	CLIP, TIE ROD 20B FROM SERIAL # 36000
44-1	037021	1	ROD, TIE
44-2	056147	1	ROD, TIE 30B/C FROM SERIAL # 186680
44-3	056147	1	ROD, TIE 20B FROM SERIAL # 36000
45	036939	1	SNAPRING
46	036845	1	BRACKET, THROTTLE CABLE
47	031783	2	LOCKWASHER, M 6 DIN 127
48	031810	2	CAPSCREW, M 6 X 14 DIN 933
49	013870	1	SHIM, CABLE CLAMP
50	013871	1	CLAMP, CABLE
51	031849	4	LOCKWASHER, 10 SS
52	031873	4	SCREW, 10-32 X 5/8 SS BH
53	013325	1	CLAMP, CABLE
54	037502	2	BUSHING, THROTTLE LEVER SCREW
55	043980	1	CIRCLIP, TORQUE SET 30B/C FROM SERIAL # 186680
56	043980	1	NUT, TORQUE SET 30B/C FROM SERIAL # 186680
57	045253	1	SCREW, RACK SET 30B/C FROM SERIAL # 186680
58	043989	1	SPRING, TIE ROD 30B/C FROM SERIAL # 186680

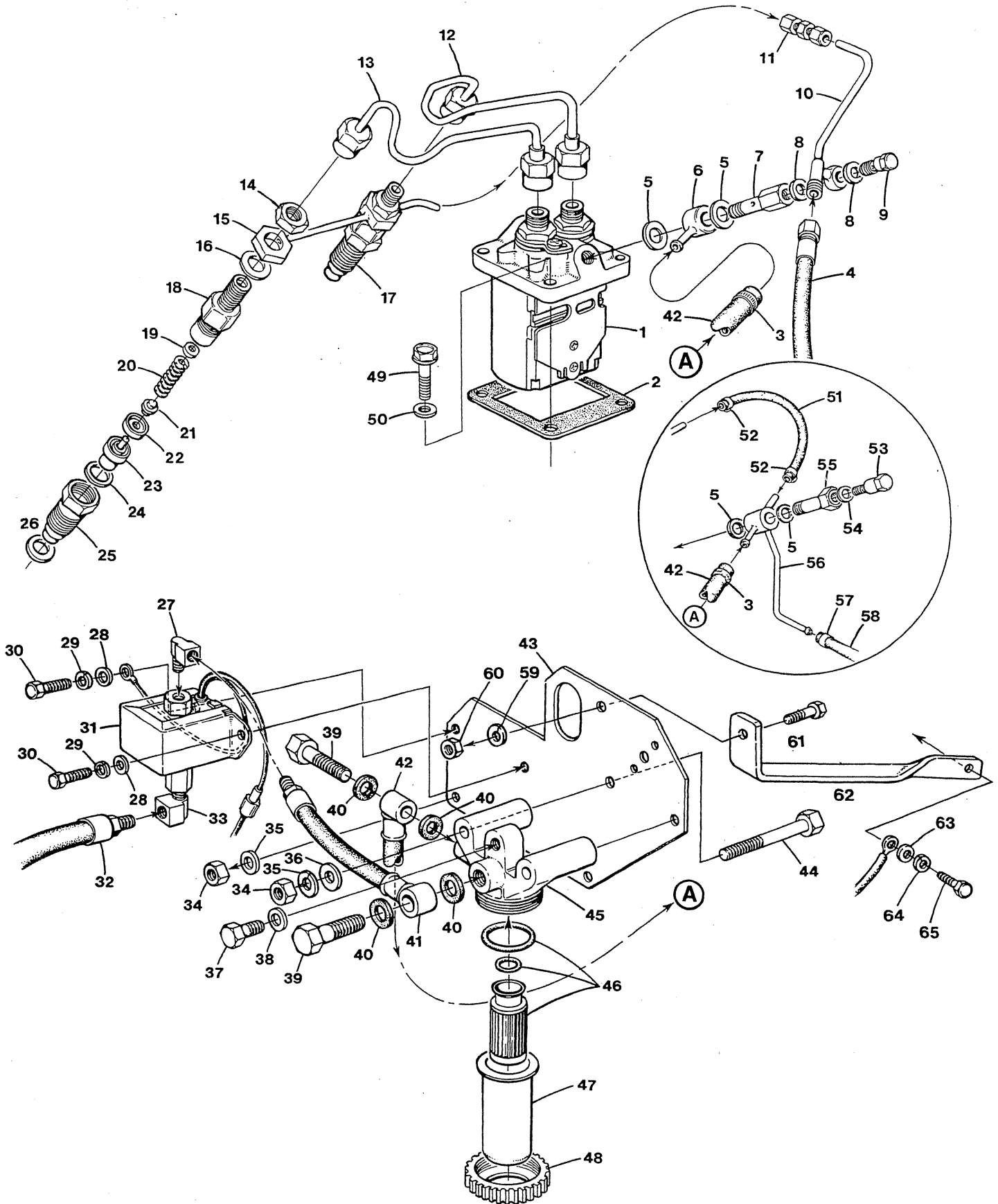
WESTERBEKE 20B TWO - FUEL SYSTEM



WESTERBEKE 20B TWO - FUEL SYSTEM

Item	Part No.	Quantity	Name/Description
1	037102	1	PUMP, FUEL INJECTION
2-1	036974	<i>As Req.</i>	SHIM, ADJUSTING 0.2 MM
2-2	036975	<i>As Req.</i>	SHIM, ADJUSTING 0.3 MM
2-3	037033	<i>As Req.</i>	SHIM, ADJUSTING 0.4 MM
2-4	036976	<i>As Req.</i>	SHIM, ADJUSTING 0.5 MM
2-5	037034	<i>As Req.</i>	SHIM, ADJUSTING 0.6 MM
2-6	03703S	<i>As Req.</i>	SHIM, ADJUSTING 0.7 MM
2-7	037036	<i>As Req.</i>	SHIM, ADJUSTING 0.8 MM
2-8	037037	<i>As Req.</i>	SHIM, ADJUSTING 0.9 MM
2-9	037038	<i>As Req.</i>	SHIM, ADJUSTING 1.0 MM
3	024906	1	CLAMP, HOSE
4	034857	1	HOSE, FUEL RETURN
5	037105	2	WASHER, BANJO
6	038402	1	BANJO, INJECTION PUMP
7	038399	1	BOLT, BANJO
8	030289	2	WASHER, BANJO M 8
9	016988	1	BOLT, BANJO M 8
10	038432	1	LINE, INJECTOR RETURN TO PUMP
11-1	024600	1	UNION, COMPRESSION INCLUDING NUTS & FERRULES
11-2	013344	1	NUT, COMPRESSION
11-3	013343	2	FERRULE, COMPRESSION
12	036951	2	LINE, INJECTOR 1
13	036952	1	LINE, INJECTOR 2
14	036921	2	NUT, INJECTOR
15	037098	1	LINE, INJECTOR RETURN
16	036922	2	GASKET, INJECTOR RETURN
17	037091	2	INJECTOR, INCLUDING REF 18 THRU 25
18	037112	1	HOLDER, INJECTOR
19-1	036925	<i>As Req.</i>	SHIM, INJECTOR 1.25
19-2	036926	<i>As Req.</i>	SHIM, INJECTOR 1.30
19-3	036927	<i>As Req.</i>	SHIM, INJECTOR 1.35
19-4	036929	<i>As Req.</i>	SHIM, INJECTOR 1.45
19-6	036930	<i>As Req.</i>	SHIM, INJECTOR 1.50
19-7	036931	<i>As Req.</i>	SHIM, INJECTOR 1.55
19-8	036932	<i>As Req.</i>	SHIM, INJECTOR 1.60
19-9	036933	<i>As Req.</i>	SHIM, INJECTOR 1.65
19-10	036934	<i>As Req.</i>	SHIM, INJECTOR 1.70
20	037106	1	SPRING, INJECTOR
21	037107	1	PIN, INJECTOR SPRINIG
22	037108	1	SPACER, INJECTOR
23	036935	1	NOZZLE, INJECTOR
24	037113	1	GASKET, INJECTOR NOZZLE TO S/N 5108
25	037109	1	NUT, INJECTOR NOZZLE
26	036923	2	GASKET, INJECTOR

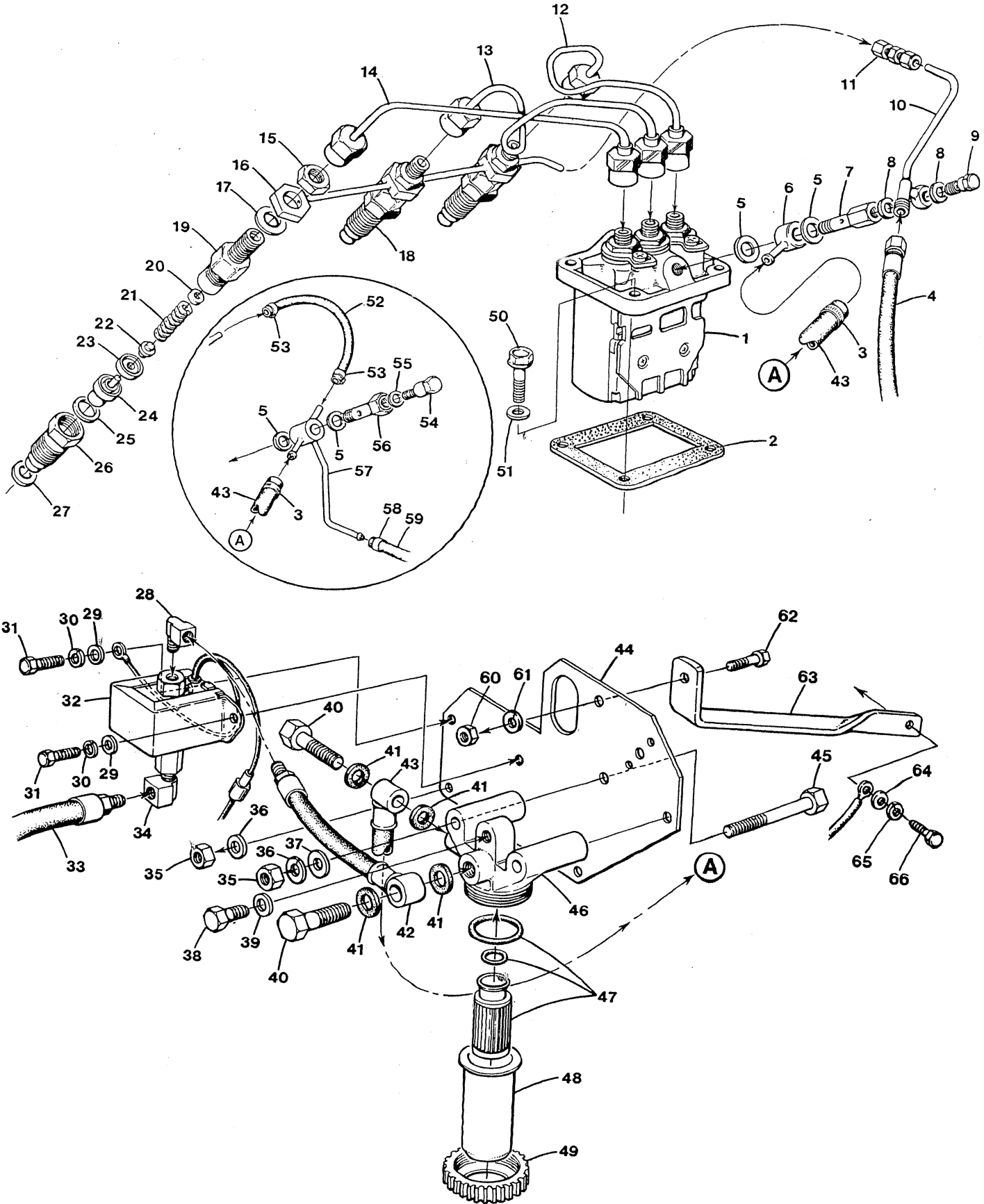
WESTERBEKE 20B TWO - FUEL SYSTEM



WESTERBEKE 20B TWO - FUEL SYSTEM

Item	Part No.	Quantity	Name/Description
27	022513	1	ELBOW, HOSE TO PUMP INCLUDED IN REF 41
28	031784	2	WASHER, M 6 DIN 125
29	031783	2	LOCKWASHER M 6 DIN 127
30	031825	2	CAPSCREW, M 6 X 12 DIN 933
31	039275	1	PUMP, FUEL LIFT 12VDC
32	030025	1	HOSE, FUEL SUPPLY 1/8 NPT
33	013340	1	ELBOW, 1/8 NPT STREET 90 1
34	018242	4	NUT, M 8 DIN 934
35	031786	4	LOCKWASHER, M 8 DIN 127
36	031787	2	WASHER, 11 8 DIN 125
37	030213	1	SCREW, BLEED
38	030289	1	WASHER
39	024984	2	BOLT, BANJO
40	030291	4	WASHER, BANJO
41	038047	1	HOSE, LIFT PUMP TO FILTER
42	036865	1	HOSE, FILTER TO INJECTION PUMP
43-1	038045	1	BRACKET, FUEL FILTER WITH JS TRANSMISSION
43-2	038045	1	BRACKET, FUEL FILTER WITH 34682 BELLHOUSING
43-3	039937	1	BRACKET, FUEL FILTER WITH 39813 BELLHOUSING
44	031225	2	CAPSCREW, M 8 X 60 DIN 931
45-1	030210	1	FILTER, FUEL ASSEMBLY INCL REF 37,38,45,46,47,48
45-2	030211	1	BODY, FUEL FILTER
46	030200	1	ELEMENT, FUEL FILTER INCLUDING O-RINGS
47	030199	1	CUP, FUEL FILTER
48	030212	1	RETAINER, FUEL FILTER CUP
49	018804	4	CAPSCREW, M 6 X 20 DIN 933
50	031784	4	LOCKWASHER, M 6 DIN 127
51	036868	1	HOSE, INJECTOR RETURN TO PUMP
52	037163	2	CLAMP, KEYSTONE
53	037110	1	BOLT, BLEED
54	037104	1	WASHER, BANJO
55	037111	1	BOLT, BANJO
56	036860	1	BANJO, INJECTION PUMP
58	037187	1	HOSE, FUEL RETURN
59	031786	1	LOCKWASHER, M 8 DIN 127
60	018242	1	NUT, M 8 DIN 934
61	017196	1	CAPSCREW, M 1 8 X 20 DIN 933
62	039766	1	SUPPORT, FILTER BRACKET
63	031787	1	WASHER M8 FLAT DIN 127
64	031786	1	LOCKWASHER, M 8 DIN 127
65	013630	1	CAPSCREW, M 8 X 25 DIN 933

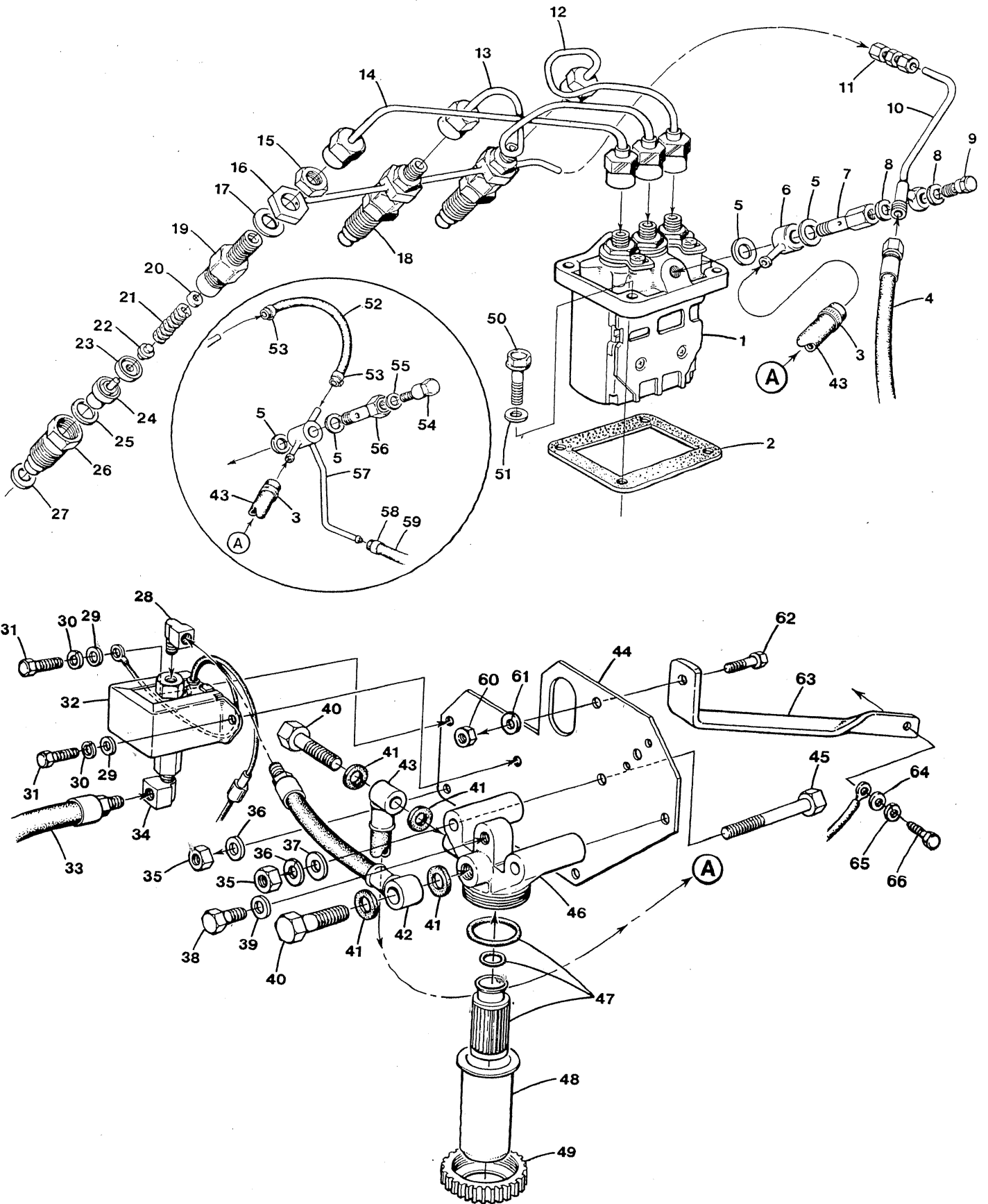
WESTERBEKE 30B/C THREE - FUEL SYSTEM



WESTERBEKE 30B/C THREE - FUEL SYSTEM

Item	Part No.	Quantity	Name/Description
1-1	037103	1	PUMP, FUEL INJECTION
1-2	056149	<i>As Req</i>	PUMP, FUEL INJECTION FROM SERIAL # 186680
2-1	036964	<i>As Req</i>	SHIM, ADJUSTING 0.2 MM
2-2	036965	<i>As Req</i>	SHIM, ADJUSTING 0.3 MM
2-3	037009	<i>As Req</i>	SHIM, ADJUSTING 0.4 MM
2-4	036966	<i>As Req</i>	SHIM, ADJUSTING 0.5 MM
2-5	037010	<i>As Req</i>	SHIM, ADJUSTING 0.6 MM
2-6	037011	<i>As Req</i>	SHIM, ADJUSTING 0.7 MM
2-7	037012	<i>As Req</i>	SHIM, ADJUSTING 0.8 MM
2-8	037013	<i>As Req</i>	SHIM, ADJUSTING 0.9 MM
2-9	037014	<i>As Req</i>	SHIM, ADJUSTING 1.0 MM
3	084906	1	CLAMP, HOSE
4	034857	1	HOSE, FUEL RETURN
5	037105	2	WASHER, BANJO
6	038402	1	BANJO, INJECTION PUMP
7	038399	1	BOLT, BANJO
8	030289	2	WASHER, BANJO M 8
9	016988	1	BOLT, BANJO M 8
10	038429	1	LINE, INJECTOR RETURN TO PUMP
11-1	024600	1	UNION, COMPRESSION INCLUDING NUTS & FERRULES
11-2	013344	2	NUT, COMPRESSION
11-3	013343	2	FERRULE, COMPRESSION
12-1	036951	1	LINE, INJECTOR 1
12-2	056142	1	LINE, INJECTOR 1 FROM SERIAL # 186680
13-1	036952	1	LINE, INJECTOR 2
13-2	056143	3	LINE, INJECTOR 2 FROM SERIAL # 186680
14-1	036953	1	LINE, INJECTOR 3
14-2	056144	3	LINE, INJECTOR 3 FROM SERIAL # 186680
15	036921	3	NUT, INJECTOR
16	037099	1	LINE, INJECTOR RETURN
17	036922	3	GASKET, INJECTOR RETURN
18-1	037091	3	INJECTOR, INCLUDING REF 19 THRU 26
18-2	056150	3	INJECTOR, INCL. REF 19-26 FROM SERIAL # 186680
19-1	037112	1	HOLDER, INJECTOR
19-2	056152	3	HOLDER, INJECTOR FROM SERIAL # 186680
20-1	036925	<i>As Req</i>	SHIM, INJECTOR 1.25
20-2	036926	<i>As Req</i>	SHIM, INJECTOR 1.30
20-3	036927	<i>As Req</i>	SHIM, INJECTOR 1.35
20-4	036928	<i>As Req</i>	SHIM, INJECTOR 1.40
20-5	036929	<i>As Req</i>	SHIM, INJECTOR 1.45
20-6	036930	<i>As Req</i>	SHIM, INJECTOR 1.50
20-7	036931	<i>As Req</i>	SHIM, INJECTOR 1.55
20-8	036932	<i>As Req</i>	SHIM, INJECTOR 1.60
20-9	036933	<i>As Req</i>	SHIM, INJECTOR 1.65
20-10	036934	<i>As Req</i>	SHIM, INJECTOR 1.70
21-1	037106	1	SPRING, INJECTOR
21-2	056153	1	SPRING, INJECTOR FROM SERIAL # 186680
22	037107	1	PIN, INJECTOR SPRING
23	037108	1	SPACER, INJECTOR
24-1	036935	1	NOZZLE, INJECTOR
24-2	056151	1	NOZZLE, INJECTOR FROM SERIAL # 186680
25	037113	1	GASKET, INJECTOR NOZZLE TO S/N 14117
26-1	037109	1	NUT, INJECTOR NOZZLE
26-2	056159	1	NUT, INJECTOR FROM SERIAL # 186680
27	036923	3	GASKET, INJECTOR

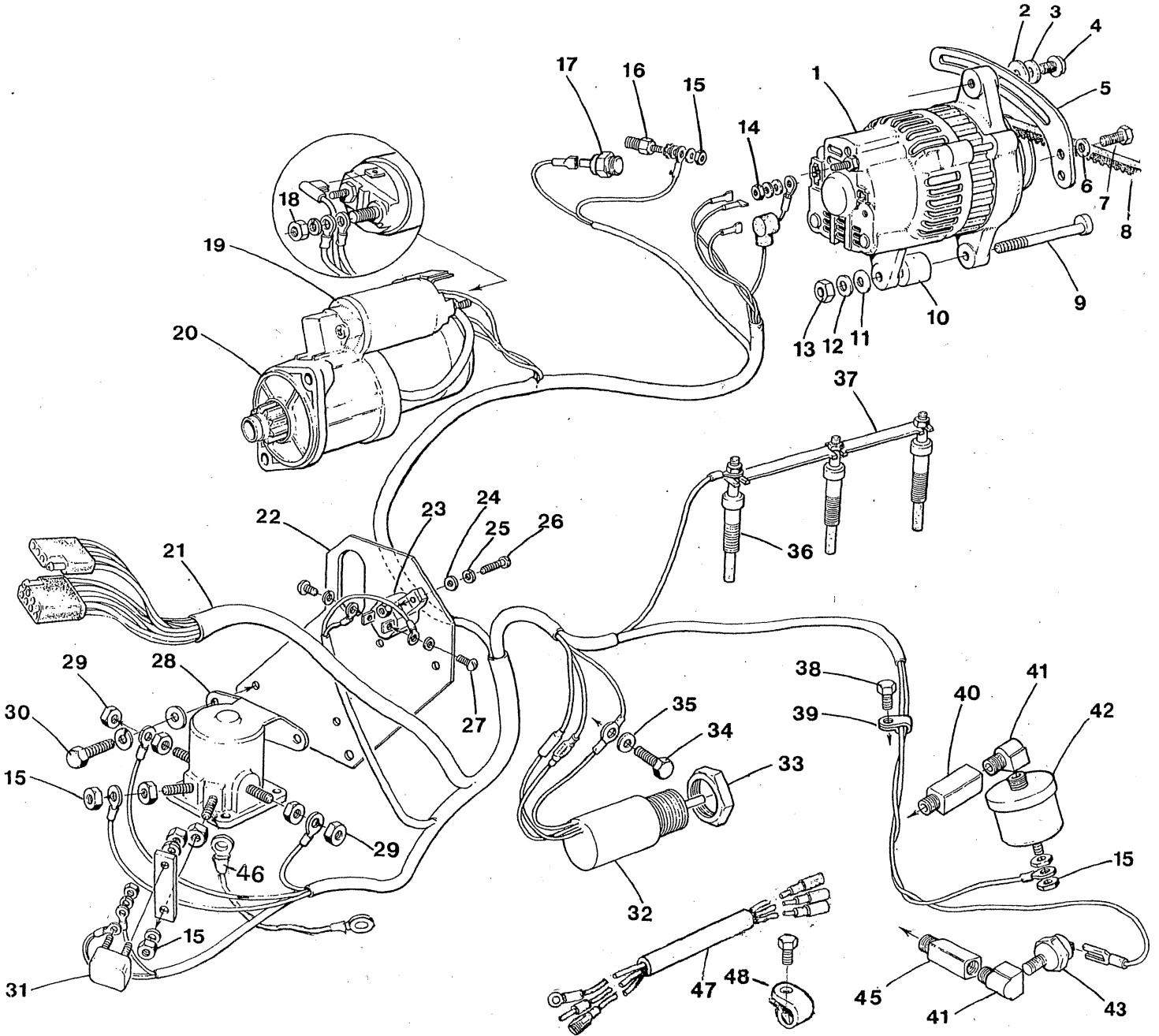
WESTERBEKE 30B/C THREE - FUEL SYSTEM



WESTERBEKE 30B/C THREE - FUEL SYSTEM

Item	Part No.	Quantity	Name/Description
28	022513	1	ELBOW, HOSE TO LIFT PUMP INCL IN REF 42
29	031784	2	WASHER, M 5 DIN 125
30	031783	2	LOCKWASHER, M 5 DIN 127
31	031825	2	CAPSCREW, M 6 x 12 DIN 933
32	039275	1	PUMP, FUEL LIFT 12 VD
33	013340	1	ELBOW, 1/8 NPT STREET 90
34	030025	1	HOSE, FUEL SUPPLY 1/8 NPT
35	018242	4	NUT, M 8 DIN 934
36	031786	4	LOCKWASHER, M 8 DIN 127
37	031787	2	WASHER, M 8 DIN 125
38	030213	1	SCREW, BLEED
39	030289	1	WASHER
40	024984	2	BOLT, BANJO
41	030291	4	WASHER, BANJO
42	038047	1	HOSE, LIFT PUMP TO FILTER
43	036867	1	HOSE, FILTER TO INJECTION PUMP
44-1	038045	1	BRACKET, FUEL FILTER WITH JS TRANSMISSION
44-2	038045	1	BRACKET, FUEL FILTER WITH 34682 BELLHOUSING
44-3	039937	1	BRACKET, FUEL FILTER WITH 39813 BELLHOUSING
45	031225	2	CAPSCREW, M 8 X 60 DIN 931
46-1	030210	1	FILTER, FUEL ASSEMBLY INCL REF 38, 39, 46,47,48,49
46-2	030211	1	BODY, FUEL FILTER
47	030200	1	ELEMENT, FUEL FILTER INCLUDING O-RINGS
48	030199	1	CUP, FUEL FILTER
49	030212	1	RETAINER, FEUL FILTER CUP
50	018804	4	CAPSCREW, M 6 X 20 DIN 933
51	031783	4	LOCKWASHER, M 6 DIN 127
52	036868	1	HOSE, INJECTOR RETURN TO PUMP
53	037163	2	CLAMP, KEYSTONE
54	037110	1	BOLT, BLEED
55	037104	1	WASHER, BANJO
56	037111	1	BOLT, BANJO
57	036861	1	BANJO, INJECTION PUMP
58	024906	1	CLAMP, HOSE
59	037187	1	HOSE, FUEL RETURN
60	018242	1	NUT, M 8 DIN 934
61	031786	1	LOCKWASHER, M 8 DIN 127
62	017196	1	CAPSCREW, M 8 X 20 DIN 933
63-1	039764	1	SUPPORT, FUEL FILTER BRACKET 38045
63-2	039969	1	SUPPORT, FUEL FILTER BRACKET 39937
64	031787	1	WASHER, M 8 DIN 125
65	031786	1	LOCKWASHER, M 8 DIN 127
66	013630	1	CAPSCREW, M 8 X 25 DIN 933

WESTERBEKE 20B TWO - 30B THREE - ELECTRICAL SYSTEM

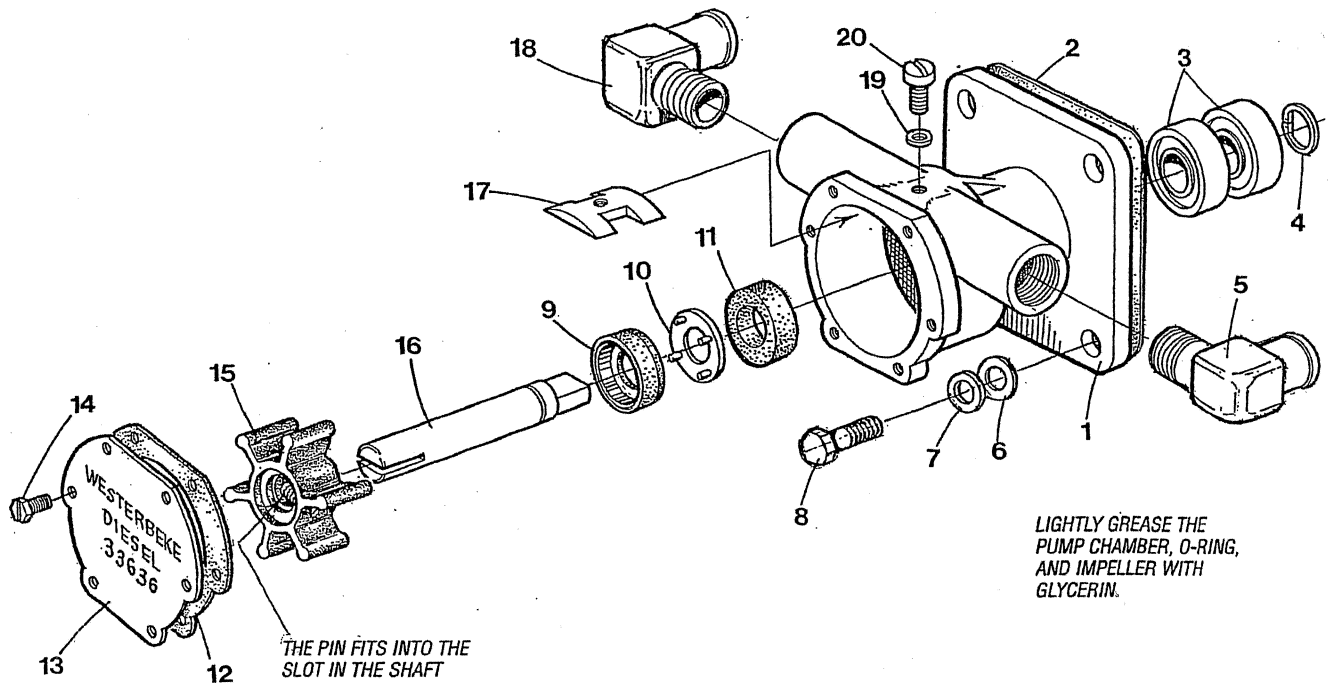


WESTERBEKE 20B TWO - 30B THREE - ELECTRICAL SYSTEM

Item	Part No.	Quantity	Name/Description
1-1	030594	1	ALTERNATOR, 2 VDC 50A NLA
1-2	049246	1	KIT, 50 AMP ALTERNATOR REPLACEMENT FOR #30594
2	033381	1	WASHER, ADJUSTING STRAP
3	031786	1	LOCKWASHER, M 8 DIN 127
4	013630	1	CAPSCREW, M 8 X 25 DIN 933
5	037342	1	STRAP, ADJUSTING
6	031783	1	LOCKWASHER, M 6 DIN 127
7	031810	1	CAPSCREW, M 6 X 14 DIN 933
8	038527	1	BELT
9	032015	1	BOLT, ALTERNATOR
10-1	037343	1	SPACER, ALTERNATOR
10-2	030234	As Req	SHIM, ALTERNATOR
11	031787	1	WASHER, M 8 DIN 125
12	031786	1	LOCKWASHER, M 8 DIN 127
13	018242	1	NUT, M 8 DIN 934
14	018241	1	NUT, M 5 DIN 934
15	031847	1	NUT, 10-32 SS
16	035109	1	SENDER, WATER TEMPERATURE - OPTIONAL ADMIRAL PANEL
17-1	037493	1	SWITCH, WATER TEMPERATURE INCLUDING GASKET
17-2	037162	1	GASKET, WATER TEMPERATURE SWITCH
18	018242	1	NUT, M 8 DIN 934
19	036218	1	SOLENOID, STARTER MOTOR
20	034552	1	MOTOR, STARTER 12VDC 1.2KW
21-1	037348	1	HARNESS, ENGINE WIRING TO 12/88 MECH LIFT PUMP
21-2	038116	1	HARNESS, ENGINE WIRING - ELECTRIC LIFT PUMP
22	_____	1	BRACKET, FUEL FILTER - BREAKER REFER TO FUEL PAGE
23	024683	1	BREAKER, CIRCUIT 20 AMP
24	031843	2	WASHER, FLAT 8 SS
25	031844	2	LOCKWASHER, 8 SS
26	031866	2	SCREW, 8-32 X 7/8 SS BH
27	031861	2	SCREW, 8-32 X 1/4 SS BH
28-1	024639	1	SOLENOID, PRE-HEAT
28-2	033052	2	SPACER, SOLENOID TO BRACKET
29	031760	2	NUT, 5/16 NF
30-1	020628	2	CAPSCREW, M 6 X 25 DIN 933
30-3	031784	2	WASHER, M 6 DIN 125
31	036563	1	BREAKER, CIRCUIT ASSEMBLY 10 AMP
32-1	037100	1	SOLENOID, FUEL SHUT-OFF - OPTIONAL
32-2	036944	1	PLUG, M 30 X 1.5 - WHEN SOLENOID NOT INSTALLED
33	034669	1	NUT, SOLENOID ADJUSTING/LOCKING
34	020650	1	CAPSCREW, M 8 X 18 DIN 933 HARNESS GROUND
35	031786	1	LOCKWASHER, M8 DIN 127
36-1	036961	2	GLOWPLUG, 2 CYLINDER
36-2	036961	3	GLOWPLUG, 3 CYLINDER
37-1	037040	1	STRAP, GLOWPLUG CONNECTING 2 CYLINDER
37-2	037028	1	STRAP, GLOWPLUG CONNECTING 3 CYLINDER
38	018804	1	CAPSCREW, M 6 X 20 DIN 933
39	038074	3	CLAMP
40	024844	1	ADAPTER, 1/8 BSPT TO 1/8 NPT - OIL PRESSURE SENDER
41	013340	2	ELBOW, 1/8 NPT STREET 90
42	024132	1	SENDER, OIL PRESSURE - OPTIONAL ADMIRAL PANEL
43-1	034761	1	SWITCH, OIL PRESSURE 1 TERMINAL TO 12/88
43-2	037323	1	SWITCH, OIL PRESSURE 2 TERMINAL FROM 12/88
44	034667	1	WASHER, SEALING
45	037508	1	ADAPTER, 1/8 BSPT TO 1/8 NPT - OIL PRESSURE SWITCH
46	039806	1	RESISTOR, ASSEMBLY-ALARM (1 K Ohm)
47	046746	1	MODULE, CURRENT TIMING
48	021676	1	CLAMP, MODULE - CURRENT TIMING

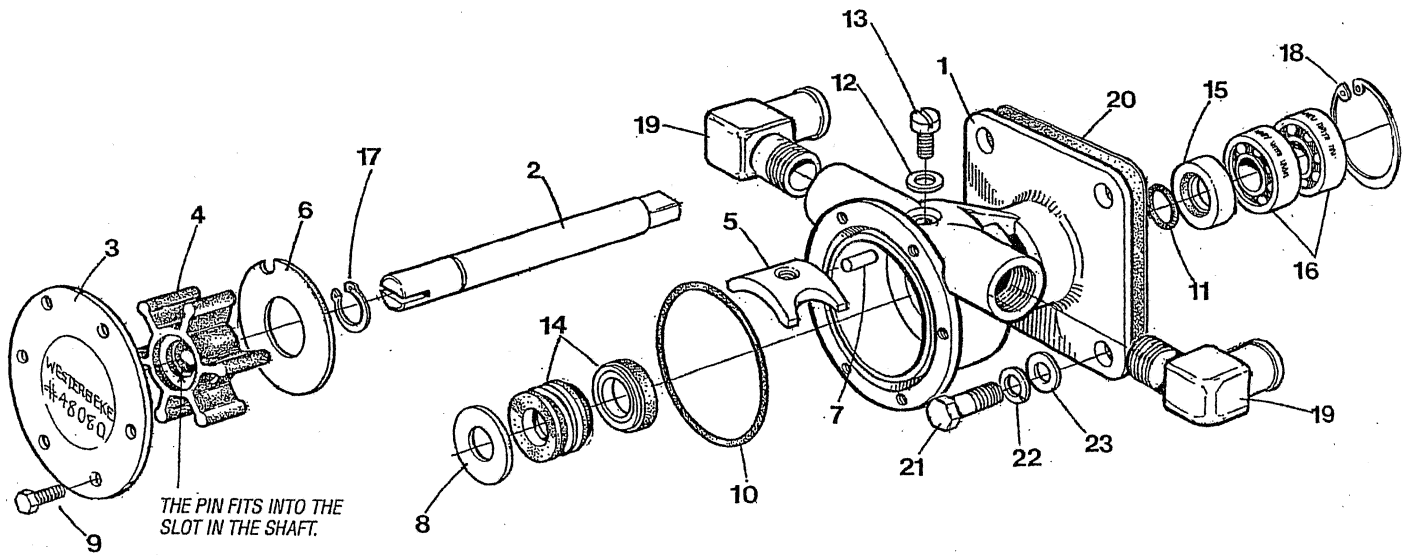
WESTERBEKE 20B TWO - 30B THREE - RAW WATER PUMP

Item	Part No.	Quantity	Name/Description
1-1	033636	1	RAW WATER PUMP (NLA)
1-2	034457	1	HOUSING
1-3	034466	1	PUMP KIT
2	030326	1	GASKET
3	034464	2	BEARING
4	033044	1	RETAINING RING
5	034710	1	ELBOW, 3/8 NPT TO 7/8 HOSE (NOT INCL. W/PUMP)
6	031787	4	WASHER, M8 DIN 125
7	031786	4	LOCKWASHER, M8 DIN 127
8	017190	4	CAPSCREW, M8 x 20 DIN 933
9	048013	1	SEAL
10	030070	1	SPACER
11	033043	1	OIL SEAL
12	034459	1	GASKET
13	034461	1	COVER
14	034463	6	SCREW
15	034440	1	IMPELLER, SCREW-GASKET KIT 1
16	034460	1	SHAFT
17	034450	1	CAM
18	036612	1	ELBOW 3/8 NPT TO 1' HOSE (NOT INCL. W/PUMP)
19	033037	1	WASHER
20	034462	1	SCREW



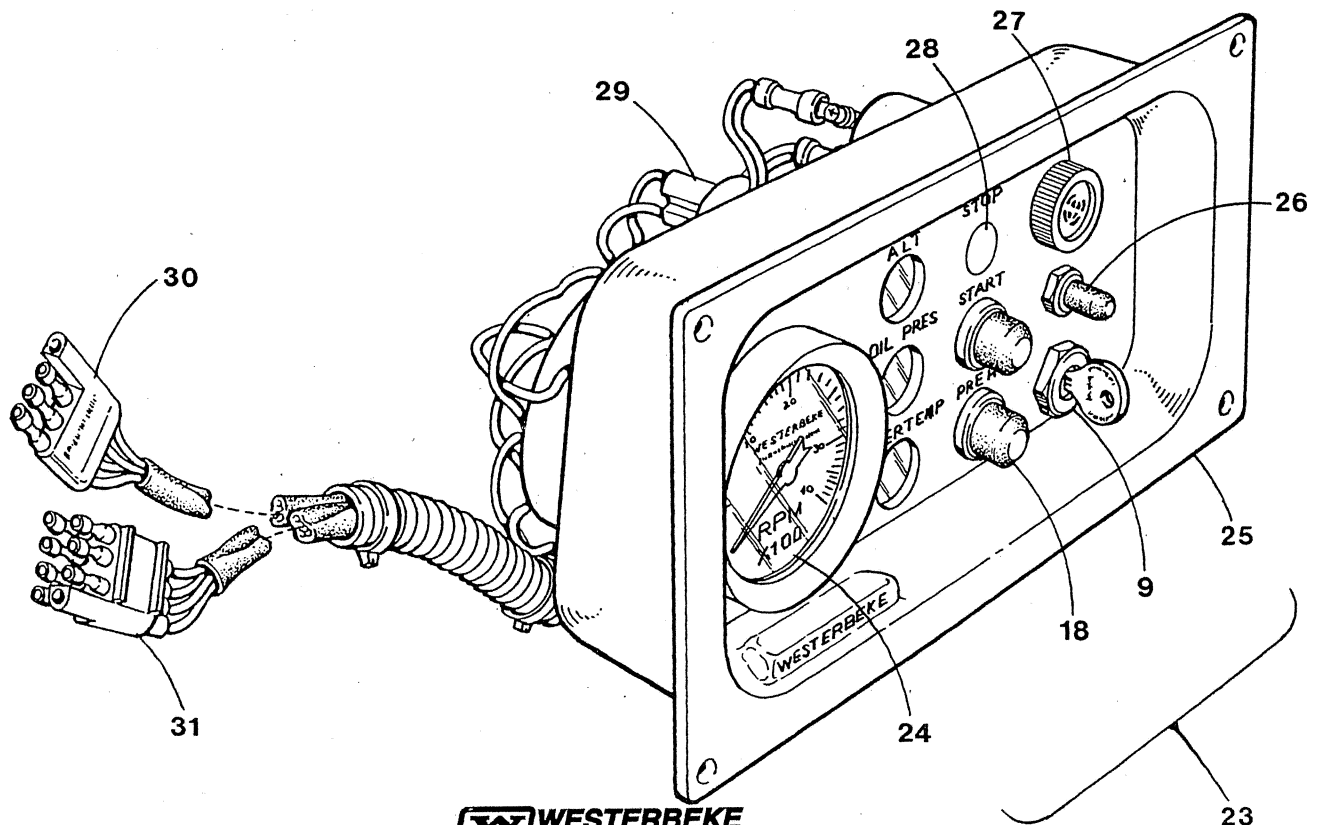
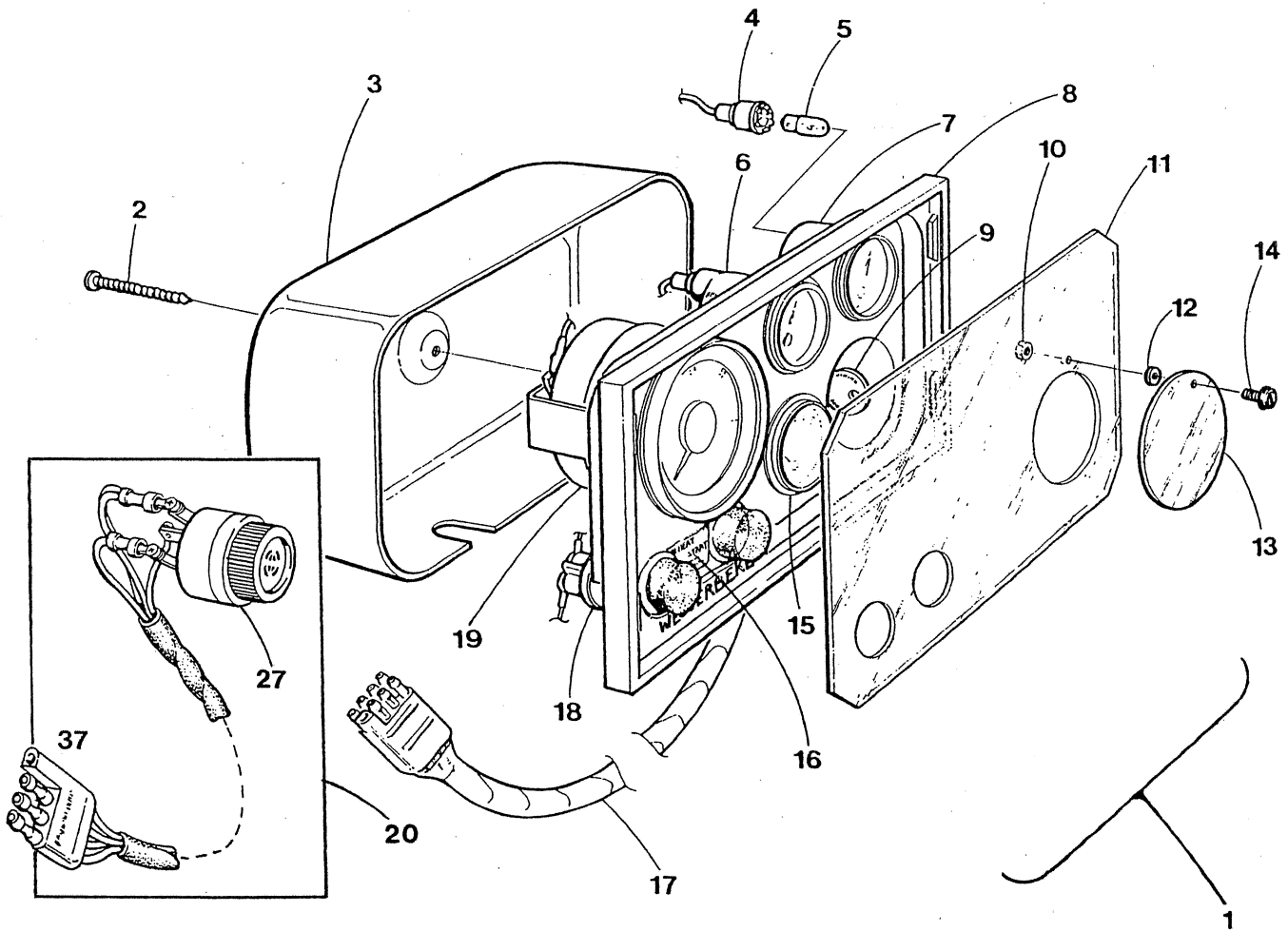
WESTERBEKE 20B TWO - 30B/C THREE RAW WATER PUMP (from March 2004)

Item	Part No.	Quantity	Name/Description
1	048080	1	RAW WATER PUMP
2	049172	1	SHAFT
3	049170	1	IMPELLER COVER
4	048500	1	IMPELLER KIT (O-RING & GLYCERIN)
5	034458	1	CAM
6	049171	1	WEAR PLATE
7	302575	1	DOWEL
8	048253	1	SPRING SEAL WASHER
9	034463	1	IMPELLER COVER SCREW
10	048359	1	IMPELLER COVER O-RING
11	033041	1	O-RING
12	033037	1	CAM WASHER
13	046662	1	CAM SCREW
14	048254	1	SPRING SEAL
15	049169	1	LIP SEAL
16	034464	2	BALLBEARING
17	033045	1	RETAINING INTERNAL RING
18	033044	1	RETAINING EXTERNAL RING
19	034710	1	ELBOW 3/8 NPT TO 7/8 HOSE
—	036612	1	ELBOW 3/8 NPT TO 1" HOSE
20	030320	1	MOUNTING GASKET
—	049000	1	PUMP REPAIR KIT (INCLUDES ALL COMPONENTS EXCEPT ITEMS 1, 7, & 19)
—	037431	1	PUMP KIT (PUMP, MOUNTING GASKET & FITTINGS)



LIGHTLY GREASE THE
PUMP CHAMBER, O-RING,
AND IMPELLER WITH
GLYCERIN.

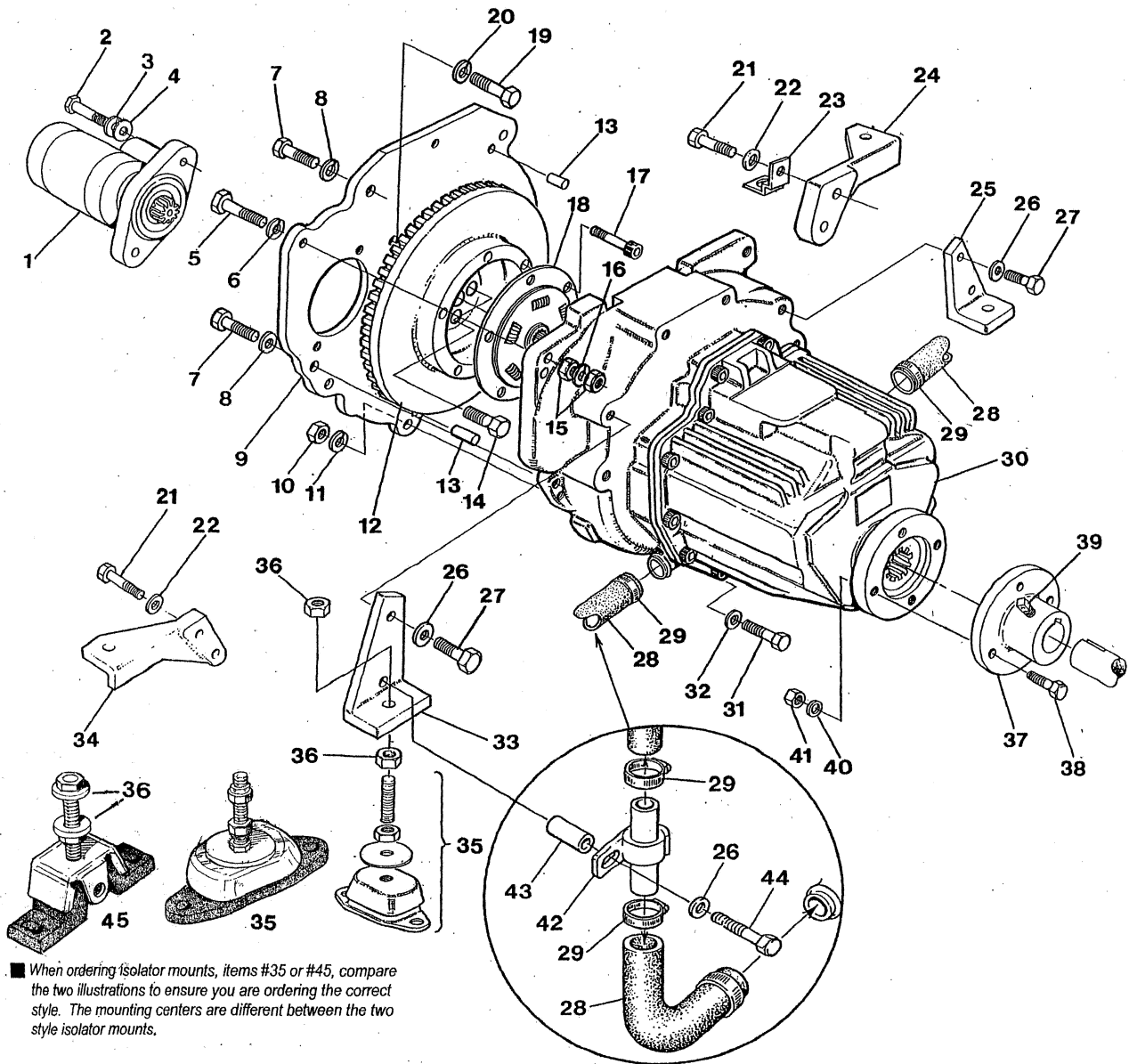
WESTERBEKE 20B TWO - 30B/C - INSTRUMENT PANELS



WESTERBEKE 20B TWO - 30B/C - INSTRUMENT PANELS

Item	Part No.	Quantity	Name/Description
1	036843	1	PANEL, ADMIRAL INCLUDING SENDERS AND ALARM
2	030913	1	SCREW
3	030119	1	COVER, PANEL REAR
4	035118	3	HOLDER, LAMP-WEDGE BASE
5	035114	3	LAMP, INSTRUMENT 12 VDC - WEDGE BASE
6	037601	1	METER, WATER TEMPERATURE
7	037603	1	METER, OIL PRESSURE 100 PSI
8	033865	1	PANEL, PLATE
9	033693	1	KEYSWITCH, OFF - ON
10	030003	1	NUT, NYLON LOCKING 6-32
11	033684	1	COVER, FACEPLATE
12	030002	1	SPACER, NYLON
13	024996	1	WINDOW, KEYSWITCH COVER
14	030001	1	SCREW, NYLON 6-32 X 1/2 WASHER HEAD
15	037605	1	VOLTMETER, 12 VDC
16	033682	1	DECAL, SWITCH IDENTIFICATION
17	030148	1	CABLE, PANEL TO ENGINE - 8 PIN
18-1	033764	2	SWITCH, PUSHBUTTON - START/PREHEAT
18-2	019031	2	CAP, SWITCH COVER REPLACEMENT
19	011917	1	METER, TACHOMETER - HOUR
20	035825	3	WIRE, POWER TO METER LAMPS
21	036829	1	ALARM, ASSEMBLY
23	036473	1	PANEL, CAPTAIN
24	035112	1	METER, TACHOMETER
25	036043	1	PANEL, PLATE
26-1	036479	1	SWITCH, TEST
26-2	036490	1	CAP, SWITCH
27	013355	1	BUZZER, ALARM
28	030946	1	PLUG, NYLON
29-1	024947	3	LAMP, 12 VDC
29-2	036483	3	HOLDER, LAMP
30	036626	1	HARNESS, PANEL TO ENGINE - 4 PIN
31	036627	1	HARNESS, PANEL TO ENGINE - 8 PIN
32	036477	1	ASSEMBLY, TERMINAL-DIODE
33	036544	2	SPACER, TERMINAL-DIODE ASSEMBLY
34	036545	2	SCREW, 6-32 X 3/4 TAPPING SS
35	039144	1	DIAGRAM, WIRING
36	036630	1	DRAWING, TEMPLATE TO INSTALL EITHER PANEL
37	037615	1	HARNESS, ENGINE TO ALARM BUZZER

WESTERBEKE 20B TWO - 30B THREE- BACKEND - MODEL JS TRANSMISSION



■ When ordering isolator mounts, items #35 or #45, compare the two illustrations to ensure you are ordering the correct style. The mounting centers are different between the two style isolator mounts.

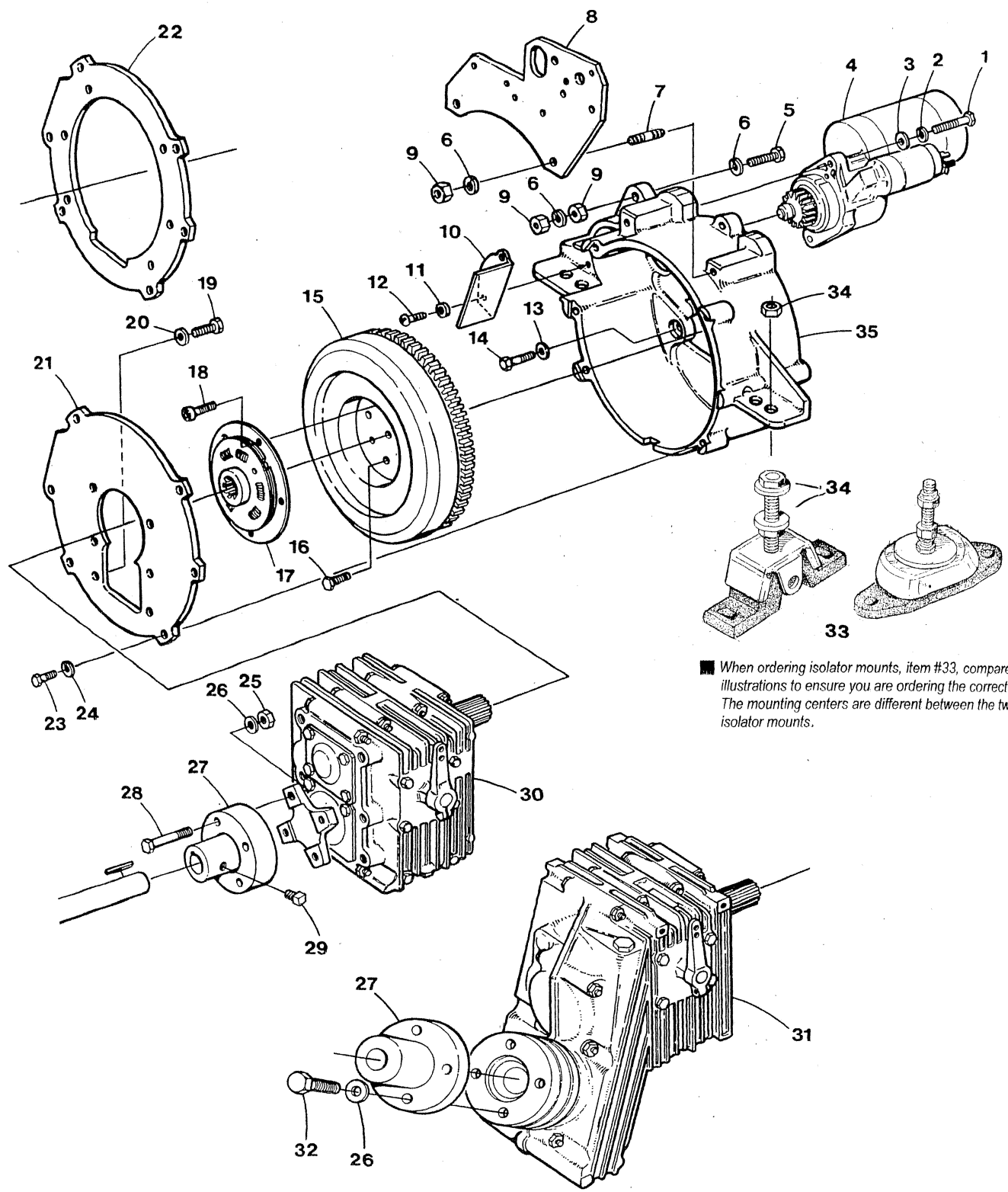
Item	Part No.	Quantity	Name/Description
------	----------	----------	------------------

1	034552	1	MOTOR, STARTER 12 VDC
2	034589	2	CAPSCREW, M 10 X 30 DIN 933
3	019262	2	LOCKWASHER, M 10 DIN 127
4	031789	2	WASHER, M 10 DIN 125
5	013631	1	CAPSCREW, M 10 X 55 DIN 933
6	019262	1	LOCKWASHER, M 10 DIN 127
7	034589	5	CAPSCREW, M 10 X 30 DIN 933
8	019262	5	LOCKWASHER, M 10 DIN 127
9	036051	1	PLATE, BACK
10	015887	2	NUT, M 10 DIN 934
11	019262	2	LOCKWASHER, M 10 DIN 127
12-1	036554	1	FLYWHEEL, INCLUDING RING GEAR 2 CYLINDER
12-2	036554	1	FLYWHEEL, INCLUDING RING GEAR 3 CYLINDER TO 12/92
12-3	039706	1	FLYWHEEL, INCLUDING RING GEAR 3 CYLINDER FROM 12/92
12-4	039779	1	PIN, SPRING USED WITH 39706 FLYWHEEL
12-5	032996	1	GEAR, RING
13	013919	2	DOWEL

WESTERBEKE 20B TWO - 30B THREE - BACK END - MODEL JS TRANSMISSION

Item	Part No.	Quantity	Name/Description
14	036924	4	BOLT, FLYWHEEL
15	015887	2	NUT, M 10 DIN 934
16	019262	1	LOCKWASHER, M 10 DIN 127
17	024778	5	SCREW, DAMPER
18-1	030940	1	DAMPER, JS - BW7 GEAR
18-2	019398	1	DAMPER, PRM GEAR
19	024952	6	CAPSCREW, M 10 X 1.25 X 25 DIN 961
20	019262	6	LOCKWASHER, M 10 DIN 127
21	024953	4	CAPSCREW, M 10 X 1.25 X 35 DIN 961
22	019262	4	LOCKWASHER, M 10 DIN 127
23	024922	1	BRACKET, SUMP DRAIN HOSE
24-1	036812	1	MOUNT, FRONT RIGHT (STD)
24-2	040565	1	MOUNT, FRONT RIGHT (CATALINA)
24-3	044129	1	MOUNT, FRONT RIGHT (BENETEAU)
24-4	044130	1	MOUNT, FRONT LEFT (BENETEAU)
25-1	036560	1	MOUNT, REAR RIGHT (STD)
26	031792	4	LOCKWASHER, M 12 DIN 127
27	031834	4	CAPSCREW, M 12 X 1.25 X 30 DIN 961
28	037154	2	HOSE, TRANSMISSION SEA WATER
29	011405	4	CLAMP, HOSE 16
30-1	035822	1	GEAR, MODEL JS 2.47:1
30-2	039906	1	GEAR, MODEL BW7 2.47:1
30-3	046485	1	GEAR, MODEL PRM 80 2.50:1
31	034470	2	CAPSCREW, M 10 X 45 DIN 931
32	031789	2	WASHER, M 10 DIN 125
33-1	036559	1	MOUNT, REAR LEFT (STD)
33-2	042030	1	MOUNT, REAR 14.5 - 16.0 LEFT
34-1	036810	1	MOUNT, FRONT LEFT (STD)
34-2	042032	1	MOUNT, REAR 14.5 - 16.0 RIGHT
35-1	040621	4	ISOLATOR, ASSEMBLY 20B M 12 STUD
35-2	040621	4	ISOLATOR, ASSEMBLY 20B M 12 STUD FRONT
35-3	303062	2	ISOLATOR, ASSEMBLY 20B M 12 STUD REAR
35-4	036339	2	ISOLATOR, ASSEMBLY 30B/C FRONT GEMINI CAT - 16 MM STUD
35-5	036340	2	ISOLATOR, ASSEMBLY 30B/C REAR GEMINI CAT - 16 MM STUD
35-6	036341	2	ISOLATOR, ASSEMBLY 20B FRONT 16 MM STUD
35-7	036341	2	ISOLATOR, ASSEMBLY 20B REAR 16 MM STUD
36-1	037353	2	NUT, M 12 SELF - LOCKING
36-2	040966	2	NUT, 16 MM JAM SELF - LOCKING
37-1	023706	1	COUPLING, 0.75" BORE
37-2	023707	1	COUPLING, 0.875" BORE
37-3	023708	1	COUPLING, 1.0" BORE
37-4	023709	1	COUPLING, 1.25" BORE
37-5	023710	1	COUPLING, 1.25" BORE
37-6	023711	1	COUPLING, 1.375" BORE
37-7	023712	1	COUPLING, 1.5" BORE
38	031228	4	CAPSCREW, M10 X 1.25 X 30 DIN 961
39	023652	2	SETSCREW, COUPLING 3/8NC X 1
40	019262	4	LOCKWASHER, M 10 DIN 127
41	024950	4	NUT, M 10 X 1.25 DIN 934
42	037504	1	CONNECTOR, INCLUDING BRACKET - SEA WATER INLET
43	034189	1	SPACER
44	037507	1	CAPSCREW, M 12 X 1.25 X 80 DIN 960
45-1	040013	4	ISOLATOR, ASSEMBLY 16 MM STUD 20B
45-2	040510	2	ISOLATOR, ASSEMBLY 16 MM STUD 30B/C REAR
45-3	040013	2	ISOLATOR, ASSEMBLY 16 MM STUD 30B/C FRONT
	031828	2	WASHER, FLAT

WESTERBEKE 20B TWO - 30B/C THREE - MODEL HBW BACK END FROM DECEMBER 1993

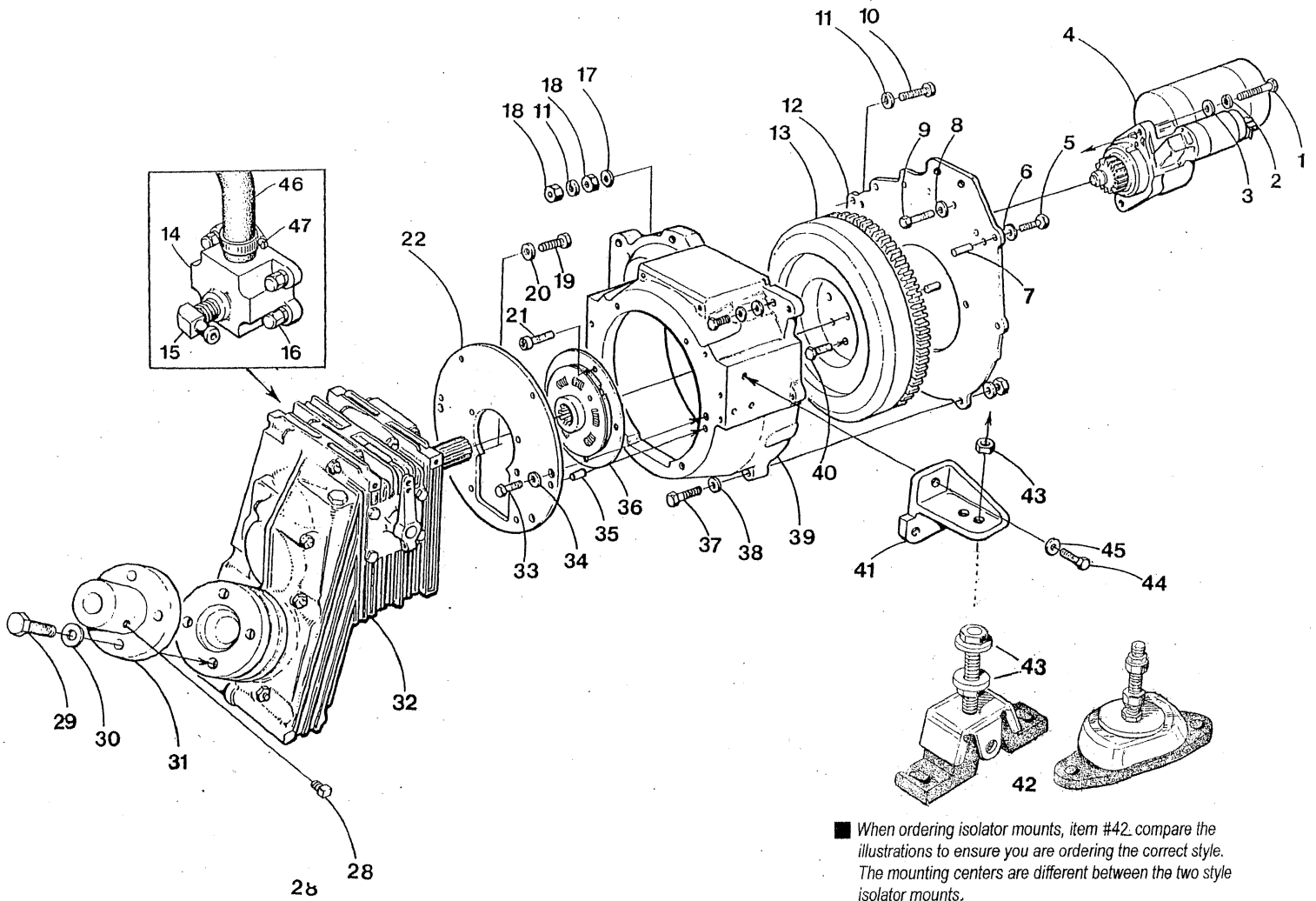


■ When ordering isolator mounts, item #33, compare the illustrations to ensure you are ordering the correct style. The mounting centers are different between the two style isolator mounts.

WESTERBEKE 20B TWO - 30B/C THREE - MODEL HBW BACK END FROM DECEMBER 1993

Item	Part No.	Quantity	Name/Description
1	034589	2	CAPSCREW, M 10 X 30 DIN 933
2	019262	2	LOCKWASHER, M 10 DIN 127
3	031789	2	WASHER, M 10 DIN 125
4	034552	1	MOTOR, STARTER 12 VDC
5	034590	1	CAPSCREW, M 10 X 40 DIN 933 BATTERY GROUND
6	019262	2	LOCKWASHER, M 10 DIN 127
7	015831	2	STUD, M 8 X 32 DIN 939
8	—	1	BRACKET, FUEL FILTER REFER TO FUEL PAGE
9	015887	2	NUT, M 10 DIN 934
10	039830	1	COVER, STARTER ACCESS
11	031849	2	LOCKWASHER, 10 SS
12	031782	2	SCREW, 10-32 X 1/2 SS BH
13	019262	5	LOCKWASHER, M 10 DIN 127
14	024952	5	CAPSCREW, M 10 X 1.25 X 25 DIN 961
15-1	036554	1	FLYWHEEL, INCLUDING RING GEAR 2 CYLINDER
15-2	039706	1	FLYWHEEL, INCLUDING RING GEAR 3 CYLINDER
15-3	039779	1	PIN, SPRING USED WITH 39706 FLYWHEEL
15-4	032996	1	GEAR, RING
16	039624	4	BOLT, FLYWHEEL
17	019398	1	DAMPER
18	024778	5	SCREW, DAMPER TO FLYWHEEL
19-1	020650	6	CAPSCREW, M 8 X 18 DIN 933 HBW
19-2	018813	6	CAPSCREW, M 10 X 20 DIN 933 HBW V-DRIVE
20-1	031786	6	LOCKWASHER, M 8 DIN 127
20-2	019262	6	LOCKWASHER, M 10 DIN 127 HBW V-DRIVE
21-1	039762	1	ADAPTER, TRANSMISSION TO HOUSING HBW
21-2	040008	1	ADAPTER, TRANSMISSION TO HOUSING HBW V-DRIVE
23	013629	6	CAPSCREW, M 10 X 25 DIN 933
24	019262	6	LOCKWASHER, M 10 DIN 127
25	024950	4	NUT, M 10 X 1.25 DIN 934
26	019261	4	LOCKWASHER, M 10 DIN 127
27-1	023706	1	COUPLING, 0.75" BORE
27-2	023707	1	COUPLING, 0.875" BORE
27-3	023708	1	COUPLING, 1.0" BORE
27-4	023709	1	COUPLING, 1.125" BORE
27-5	023710	1	COUPLING, 1.25" BORE
27-6	023711	1	COUPLING, 1.375" BORE
27-7	023712	1	COUPLING, 1.5" BORE
28	031228	4	CAPSCREW, M 10 X 1.25 X 30 DIN 961
29	023652	2	SETSCREW, COUPLING 3/8 NC X 1
30-1	024629	1	GEAR, HBW50 2:1, 2 CYLINDER
30-2	024630	1	GEAR, HBW100 1.8:1, 3 CYLINDER
30-3	030140	1	GEAR, HBW100 1.5:1
30-4	030095	1	GEAR, HBW 100 2.7:1
31-1	031249	1	GEAR, HBW V-DRIVE 1.8:1, 3 CYLINDER
31-2	030048	1	GEAR, HBW V-DRIVE 2.1:1, 3 CYLINDER
31-3	031250	1	GEAR, HBW V-DRIVE 3:1, 3 CYLINDER
32	013629	4	CAPSCREW, M 10 X 25 DIN 933
33-1	036339	2	ISOLATOR, ASSEMBLY 16MM STUD 20B
33-2	036340	2	ISOLATOR, ASSEMBLY 16MM STUD 30B
33-3	040510	2	ISOLATOR, ASSEMBLY 16MM STUD 30B/C
34	036338	4	NUT, M 16 DIN 985 LOCKING
35	039813	1	HOUSING, FLYWHEEL

WESTERBEKE 30B THREE - V-DRIVE BACK END TO DECEMBER 1993

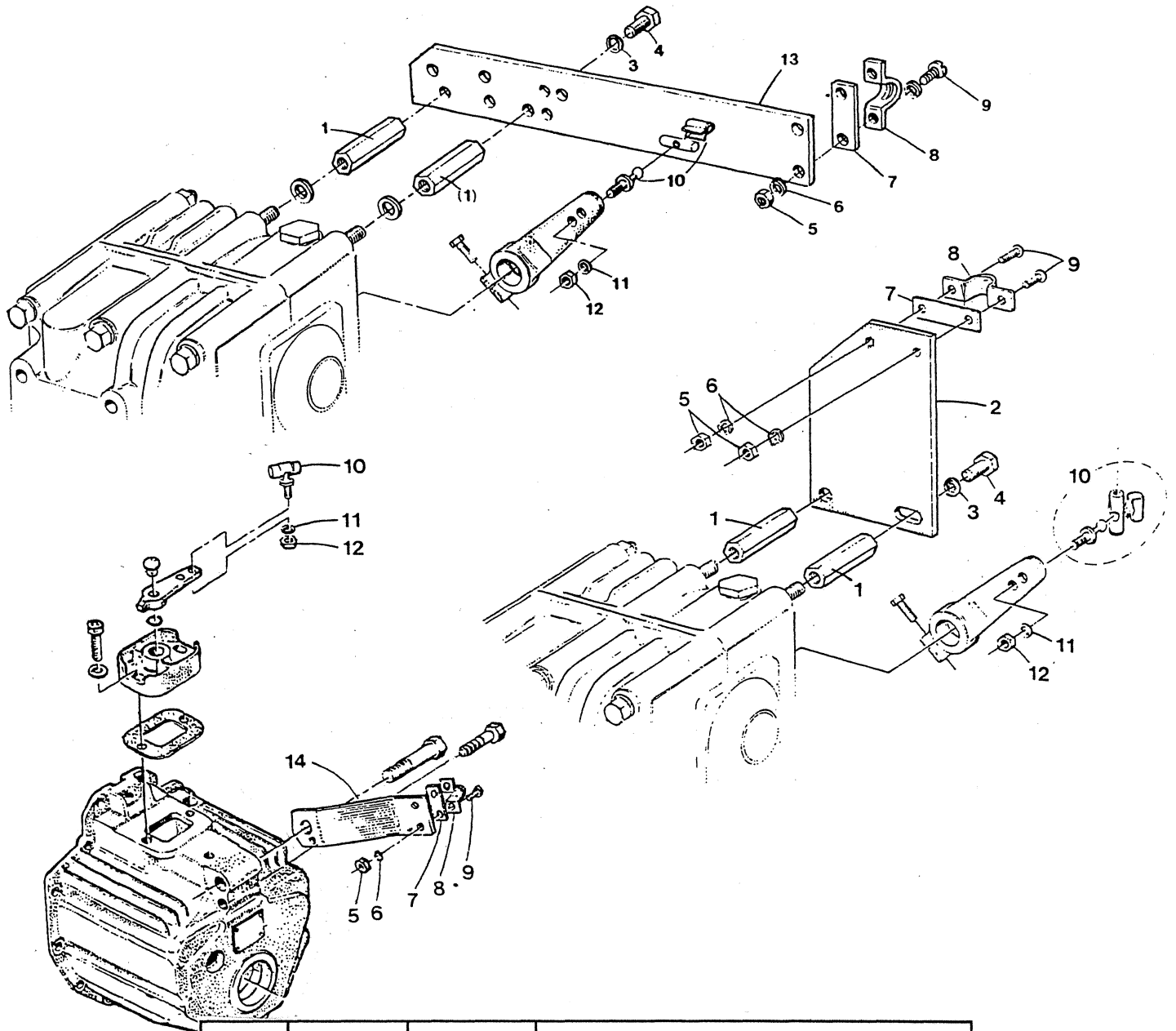


■ When ordering isolator mounts, item #42, compare the illustrations to ensure you are ordering the correct style. The mounting centers are different between the two style isolator mounts.

WESTERBEKE 30B THREE - V-DRIVE BACK END TO DECEMBER 1993

Item	Part No.	Quantity	Name/Description
1	034589	2	CAPSCREW, M 10 X 30 DIN 933
2	019262	2	LOCKWASHER, M 10 DIN 127
3	031789	2	WASHER, M 10 DIN 125
4	034552	1	MOTOR, STARTER 12 VDC
5	034589	4	CAPSCREW, M 10 X 30 DIN 933
6	019262	4	LOCKWASHER, M 10 DIN 127
7	013919	2	DOWEL, HOUSING TO BACKPLATE
8	019262	6	LOCKWASHER, M 10 DIN 127
9	024952	6	CAPSCREW, M 10 X 1.25 X 25 DIN 961
10	034833	1	CAPSCREW, M 10 X 60 DIN 912 FULLY THREADED
11	019262	2	LOCKWASHER, M 10 DIN 127
12	036051	1	PLATE, BACK
13-1	036554	1	FLYWHEEL, INCLUDING RING GEAR TO DECEMBER 1992
13-2	039706	1	FLYWHEEL, INCLUDING RING GEAR FROM DECEMBER 1992
13-3	039779	1	PIN, SPRING USED WITH 39706 FLYWHEEL
13-4	032996	1	GEAR, RING
14	040036	1	COOLER, TRANSMISSION
15	036614	1	ELBOW, 3/4 NPT TO 1 HOSE
16-1	017196	4	CAPSCREW, M 8 X 20 DIN 933
16-2	031786	4	LOCKWASHER, M 8 DIN 127
17	031789	1	WASHER, M 10 DIN 125
18	015887	2	NUT, M 10 DIN 934
19	018813	6	CAPSCREW, M 10 X 20 DIN 933
20	031790	6	LOCKWASHER, M 10 DIN 137B
21	024778	5	SCREW, DAMPER TO FLYWHEEL
22	030063	1	ADAPTER, V-DRIVE TO HOUSING
28	023652	2	SETSCREW, COUPLING 3/8 NC X 1
29	013629	4	CAPSCREW, M 10 X 25 DIN 933
30	019262	4	LOCKWASHER, M 10 DIN 1.27
31-1	021706	1	COUPLING, 0.75" BORE
31-2	023707	1	COUPLING, 0.875" BORE
31-3	023708	1	COUPLING, 1.0" BORE
31-4	023709	1	COUPLING, 1.125" BORE
31-5	023710	1	COUPLING, 1.25" BORE
31-6	023711	1	COUPLING, 1.375" BORE
31-7	023712	1	COUPLING, 1.5" BORE
32-1	031249	1	GEAR, HBW V-DRIVE 1.8:1
32-2	030048	1	GEAR, HBW V-DRIVE 2.1:1
32-3	031250	1	GEAR, HBW V-DRIVE 3:1
33	034589	6	CAPSCREW, M 10 X 30 DIN 933
34	019262	6	LOCKWASHER, M 10 DIN 127
35	019039	2	DOWEL, ADAPTER TO HOUSING
36	019398	1	DAMPER
37	031926	2	CAPSCREW, M 10 X 35 DIN 933
38	031789	2	WASHER, M 10 DIN 125
39	034682	1	HOUSING, FLYWHEEL
40	036924	4	BOLT, FLYWHEEL
41	033890	2	MOUNT, REAR
42-1	016340	2	ISOLATOR, INCLUDING LOCKNUTS - REAR
42-2	040510	2	ISOLATOR, ASSY - REAR
43	036338	4	NUT, M16 DIN 985 LOCKING
44	013629	6	CAPSCREW, M 10 X 25 DIN 933
45	019262	6	LOCKWASHER, M 10 DIN 127
46	011779	24	HOSE, 1 ID - INCHES REQUIRED
47	011405	2	CLAMP, HOSE 16
48	036622	1	NIPPLE, 3/8 NPT TO 1 HOSE

WESTERBEKE 20B TWO - 30B THREE - TRANSMISSION SHIFTING BRACKET



Item	Part No.	Quantity	Name/Description
------	----------	----------	------------------

1	030756	2	NUT, PILLAR - M8
2	030181	1	BRACKET, V-DRIVE SHIFT CABLE - TOP ENTRY
3	031786	2	LOCKWASHER, - M 8 DIN 127
4	013630	2	CAPSCREW, M 8 X 25 DIN 933
5	031847	2	NUT, 10-32 SS
6	031849	2	LOCKWASHER, 10 SS
7	013870	1	SHIM, CABLE CLAMP
8	01332S	1	CLAMP, CABLE
9	031873	2	SCREW, 10-32 X 5/8 SS BH
10	033482	1	BALL JOINT
11	031752	1	LOCKWASHER 1/4
12	031754	1	NUT 1/4NF
13	032161	1	BRACKET, SHIFT CABLE - HBW REAR ENTRY
14	031451	1	BRACKET, SHIFT CABLE - MODEL JS TRANSMISSION

WESTERBEKE 20B TWO - 30B/C THREE - MISCELLANEOUS

Item	Part No.	Quantity	Name/Description
1-1	037002	1	KIT A, SPARE PARTS - 20B TWO
1-2	037118	1	KIT A, SPARE PARTS - 30B/C THREE
2-1	037003	1	KIT B, SPARE PARTS - EXTENDED CRUISING - 20B TWO
2-2	037119	1	KIT B, SPARE PARTS - EXTENDED CRUISING - 30B/C THREE
3-1	036998	1	GASKET, SET UPPER - 20B TWO
3-2	037116	1	GASKET, SET UPPER - 30B/C THREE
4-1	036999	1	GASKET, SET COMPLETE - 20B TWO
4-2	037117	1	GASKET, SET COMPLETE - 30B/C THREE
5	037121	1	KIT, FUEL HARDWARE
6	024177	1	KIT, REMOTE FRESH WATER SURGE TANK
7	013758	1	PAINT, RED - AEROSOL SPRAY CAN
8	020654	1	SPLITTER, ALTERNATOR OUTPUT
9	030760	1	HARNESS, 12 PIN 15 FOOT EXTENSION
10	036557	1	HARNESS, 4 PIN 15 FOOT EXTENSION
11	037115	1	PARTSLIST
12	037600	1	MANUAL, SERVICE
13	036906	1	MANUAL, OPERATOR
14	032974	1	FILTER, SEDIMENTER/WATER TRAP
15	039144	1	DIAGRAM, PROPULSION WIRING
16	044010	1	VALVE, ANTI-SIPHON VENT
17	050127	1	STRAINER, SEA WATER
18	034936	1	MUFFLER, HYDRO-HUSH C
19-1	033340	<i>As Req</i>	ADAPTER, HOSE TO MUFFLER - STRAIGHT
19-2	033341	<i>As Req</i>	ADAPTER, HOSE TO MUFFLER - 45 DEGREE
19-3	033342	<i>As Req</i>	ADAPTER, HOSE TO MUFFLER - 90 DEGREE
19-4	033943	<i>As Req</i>	ADAPTER, RUBBER INCLUDING CLAMPS
20	040078	1	KIT, REMOTE OIL FILTER
21	045042	1	KIT, HOSES 30 B/C
22	045041	1	KIT, HOSES 20 B
23	055024	1	KIT, ELECTRIC STOP



WESTERBEKE CORPORATION • 150 JOHN HANCOCK ROAD
MYLES STANDISH INDUSTRIAL PARK • TAUNTON MA 02780
WEBSITE: WWW.WESTERBEKE.COM