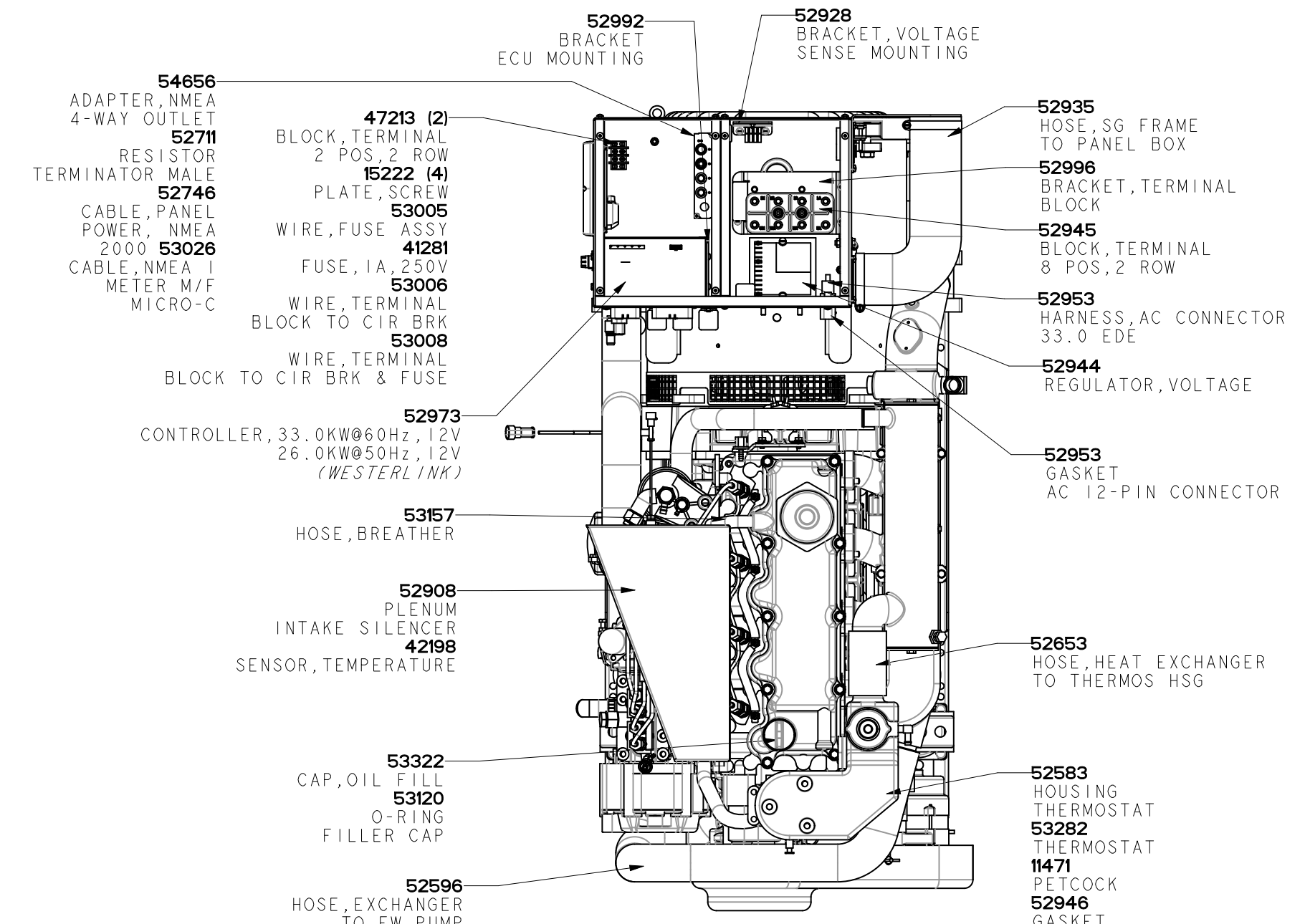
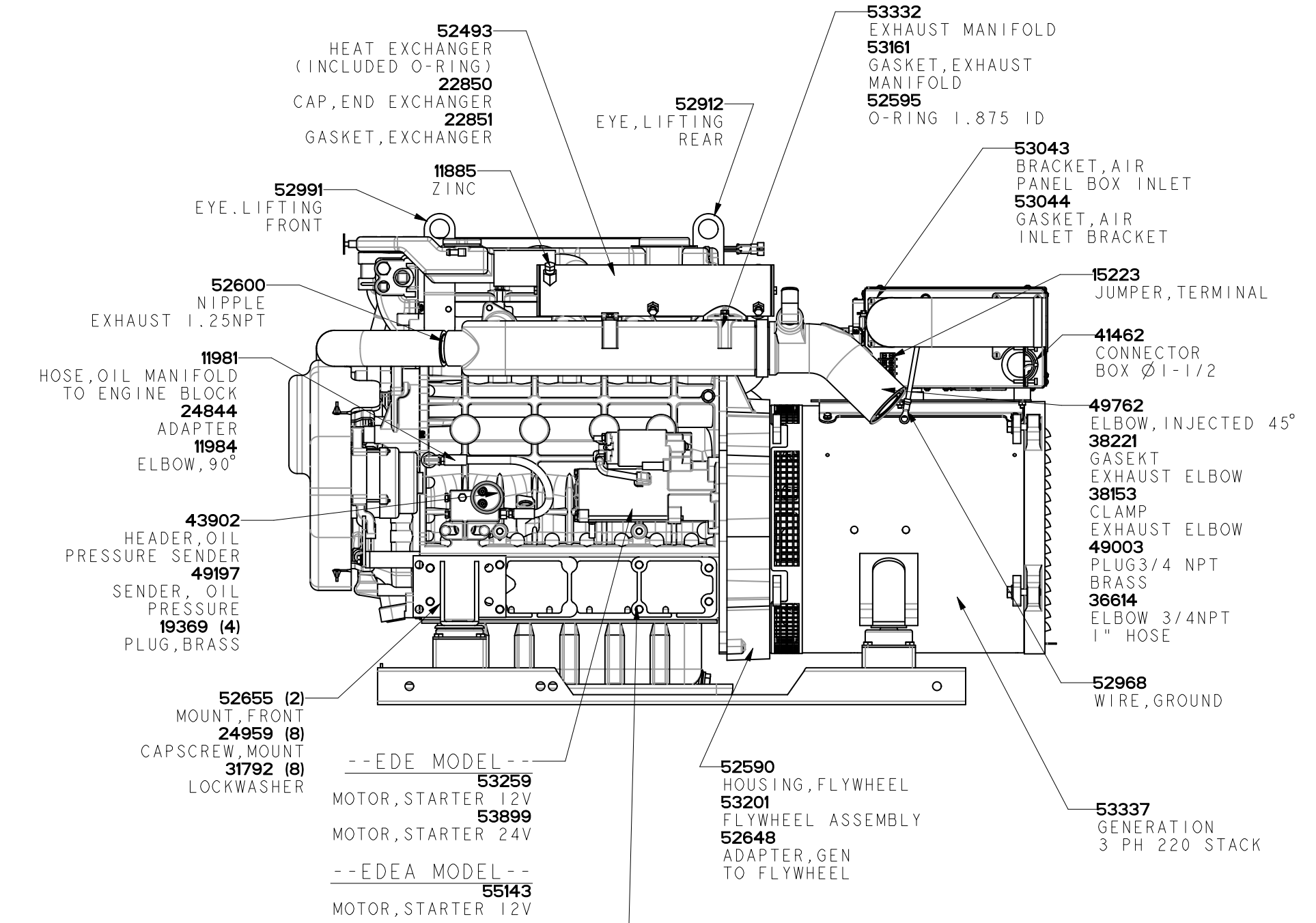
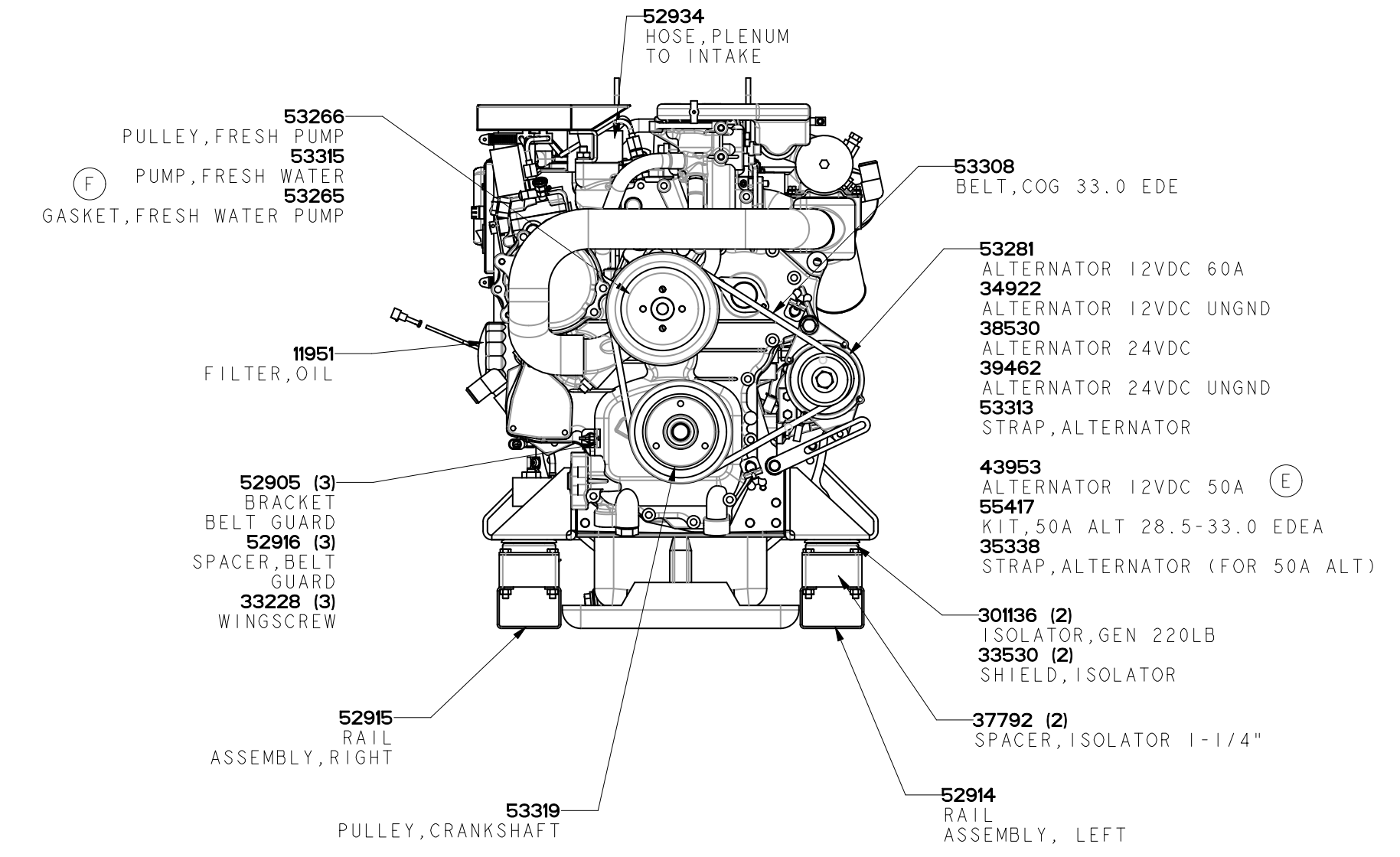
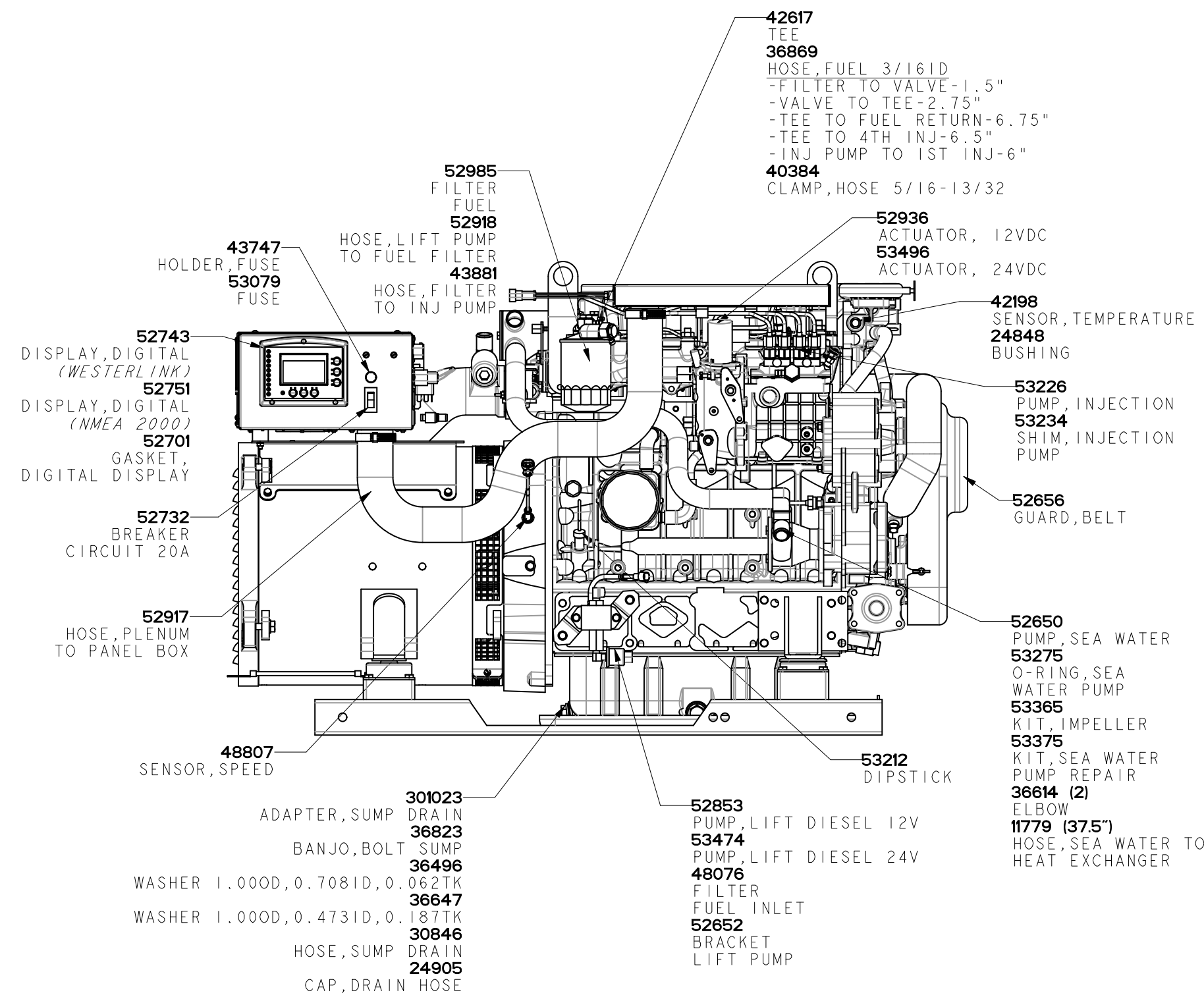


ECO NO.	DATE	REV.	REVISION RECORD	AUTH.	DR. BY
6456	3-2008	A	ADD TIMMING VIEW PORT AND COVER		MG
6492	4-28-2008	B	ADD 28850 END CAP AND 28851 GASKET. FILTER 11951 WAS 52980		GA
6608	4-16-2009	C	ADD PART NO FOR 24V AND UNG COMPONENTS.		GA
6801	7-15-2011	D	ADD NEW MODELS "EDEA"; THERMOSTAT WAS P/N 24690.		GA
6892	5-30-2012	E	ADD 50AMP ALT AND 50AMP ALT KIT.		GA
6990	4-24-2013	F	ADD 53315 FW PUMP AND 53265 GASKET.		GA

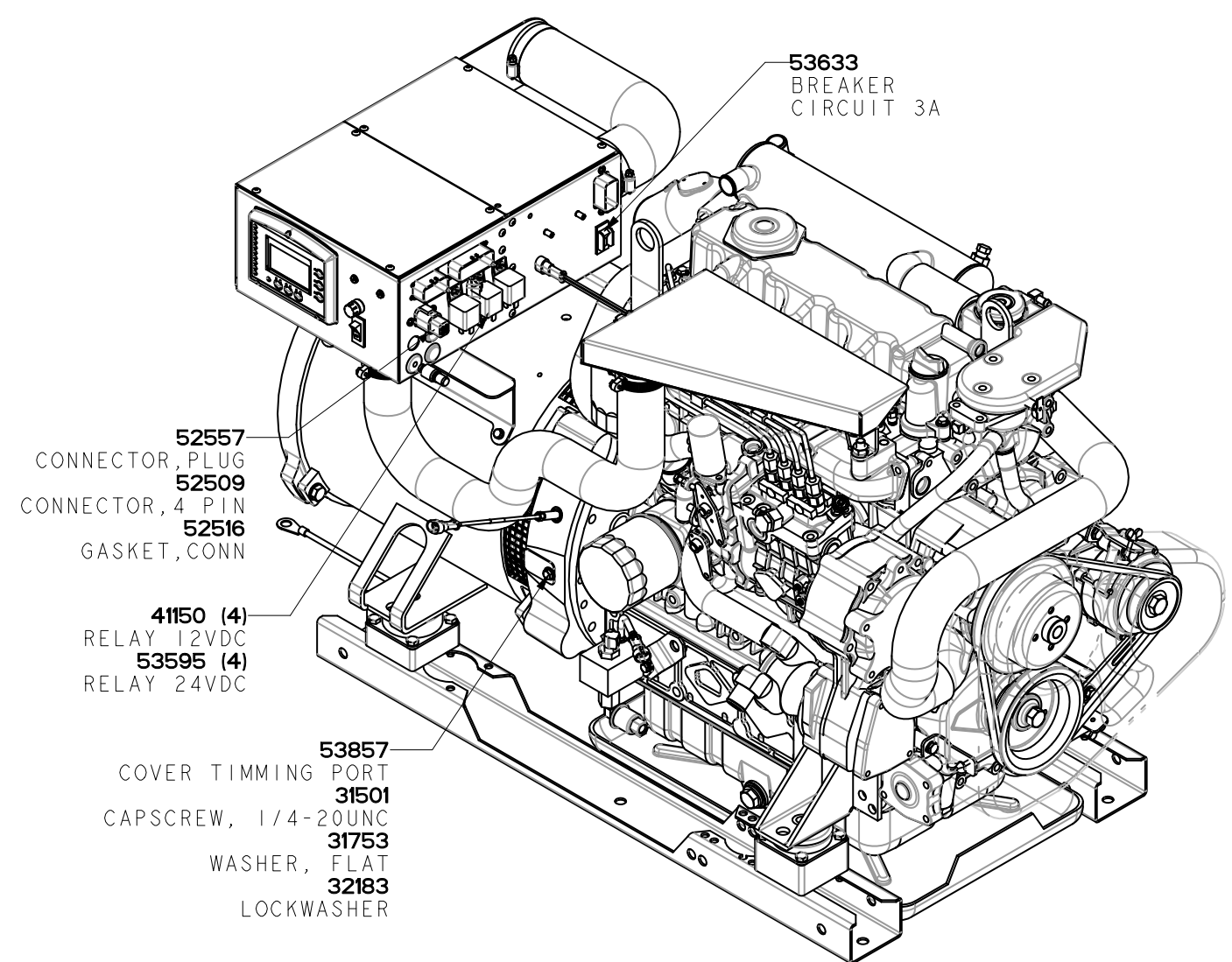
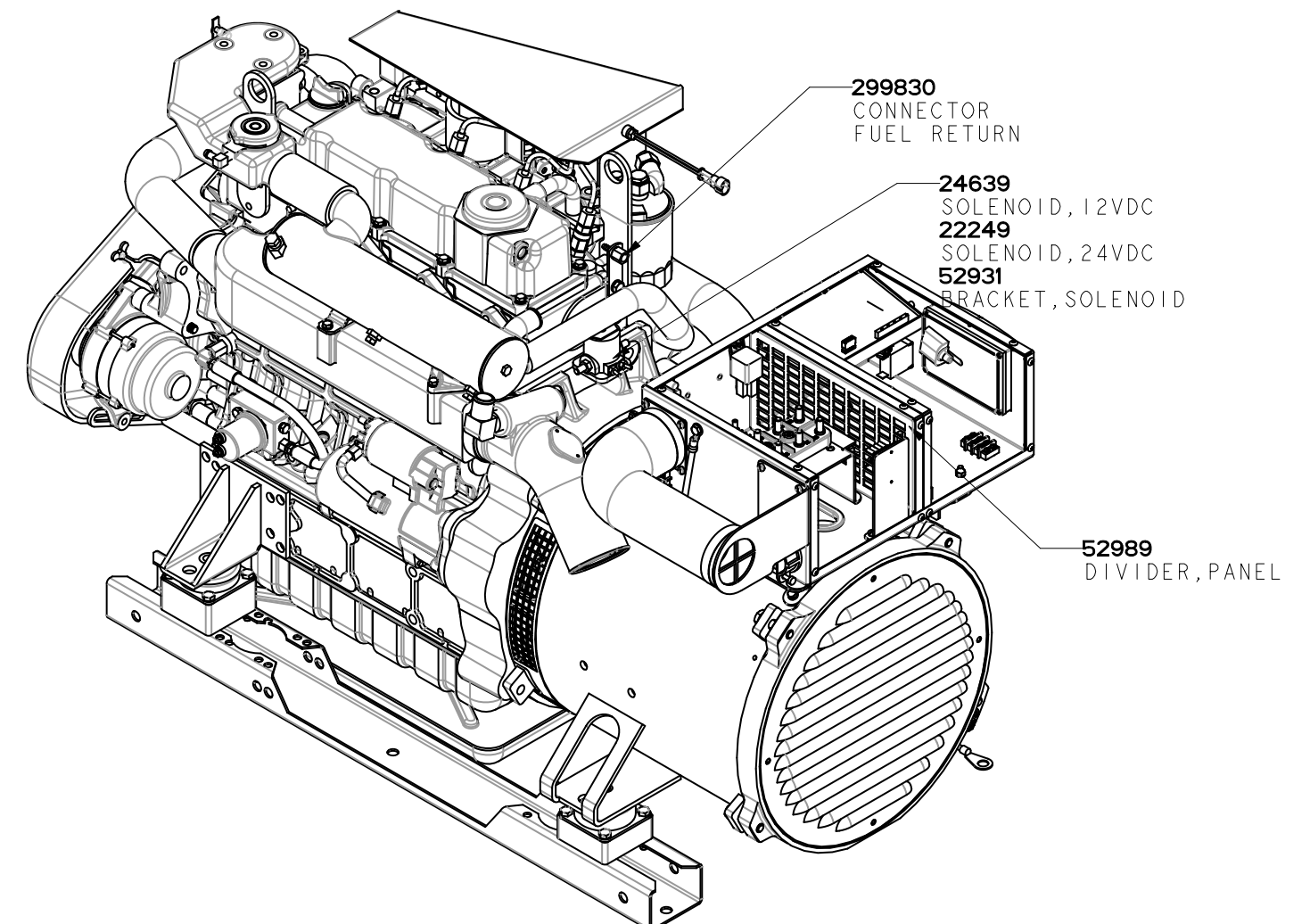
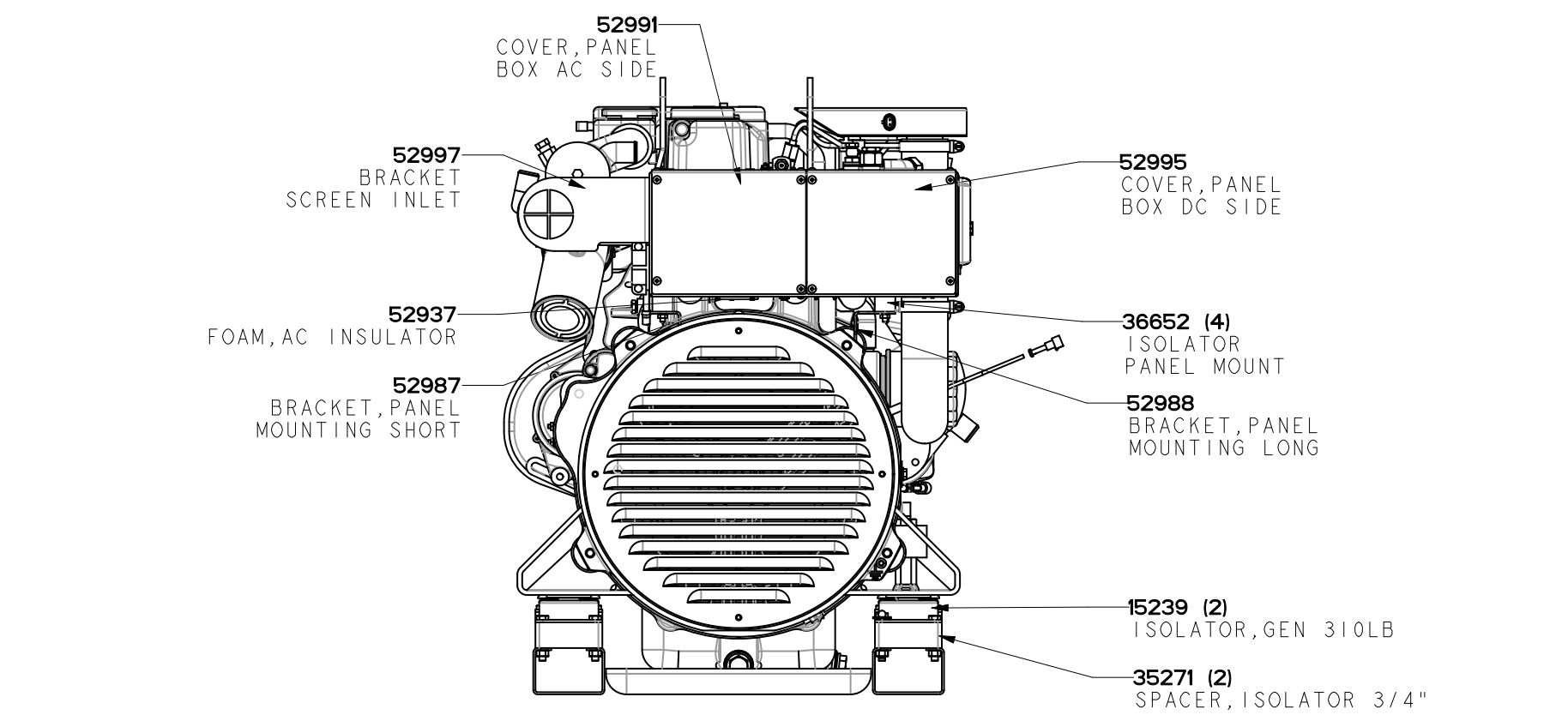
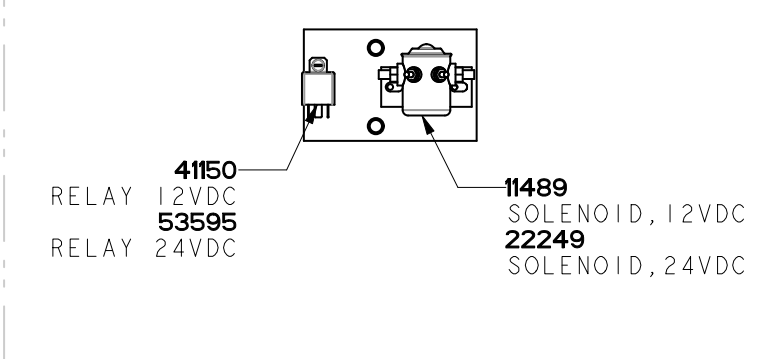


P/N	DESCRIPTION
53042	MANUAL, OPERATOR 33.0 EDE/A
53017	MANUAL, SERVICE 33.0 EDE/A
53101	KIT A 33.0 EDE
53102	KIT B 33.0 EDE
54058	KIT B 33.0 EDE 24 VDC
54372	FILTER, REMOTE OIL
53103	GASKET SET, UPPER 33.0 EDE
53104	GASKET SET, COMPLETE 33.0 EDE

REFERENCE
 52951 WIRING DIAGRAM 12V
 53901 WIRING DIAGRAM 24V
 54533 WIRING DIAGRAM 24V UNG



ADDITIONAL COMPONENTS FOR UNGROUNDED UNITS



MODELS:
 -25.5 EDE 60Hz / 21.0 EDE 50Hz
 -28.5 EDE 60Hz / 23.5 EDE 50Hz
 -33.0 EDE 60Hz / 26.0 EDE 50Hz
 -28.5 EDEA 60Hz / 23.5 EDEA 50Hz
 -33.0 EDEA 60Hz / 26.0 EDEA 50Hz

TOLERANCES (UNLESS OTHERWISE NOTED)		TITLE	
INCHES	MILLIMETERS	PARTLIST DRAWING	
.XX : .02	X. ± 1.0	---	
.XXX : .005	.X ± .5	---	
CAST : .03	.XX ± .13	---	
ANGLES : 5°		---	
FINISH : 32		---	
DIMENSIONS		DRAWN BY DBS	DATE 05/Feb/07
INCHES ← → MILLIMETERS		APPROVED BY	DATE
(WHEN APPLICABLE)		SCALE 0.125	SIZE
		SHT. 1 OF 1	DRAWING NUMBER
			REV.
			53083
			F

