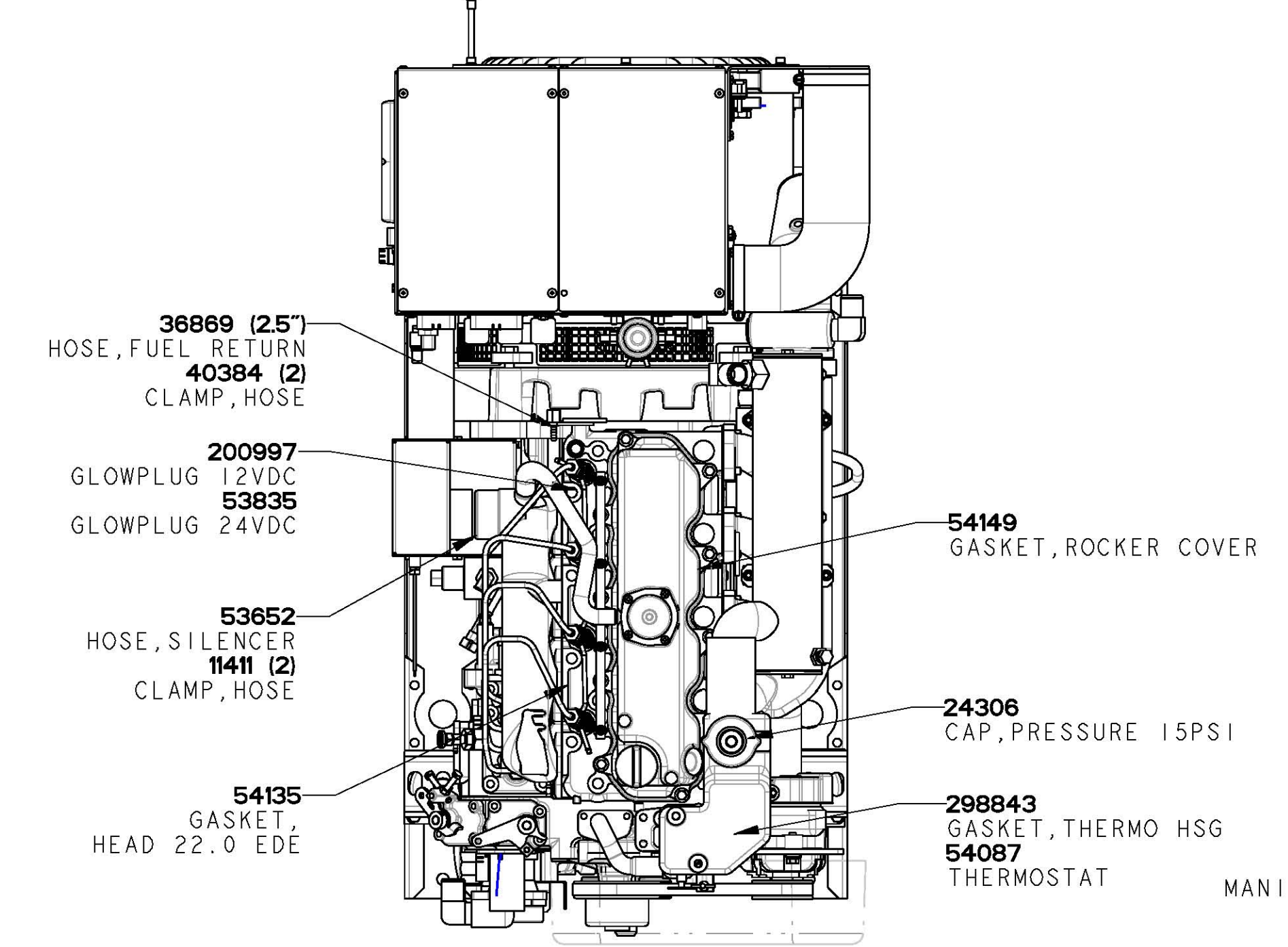
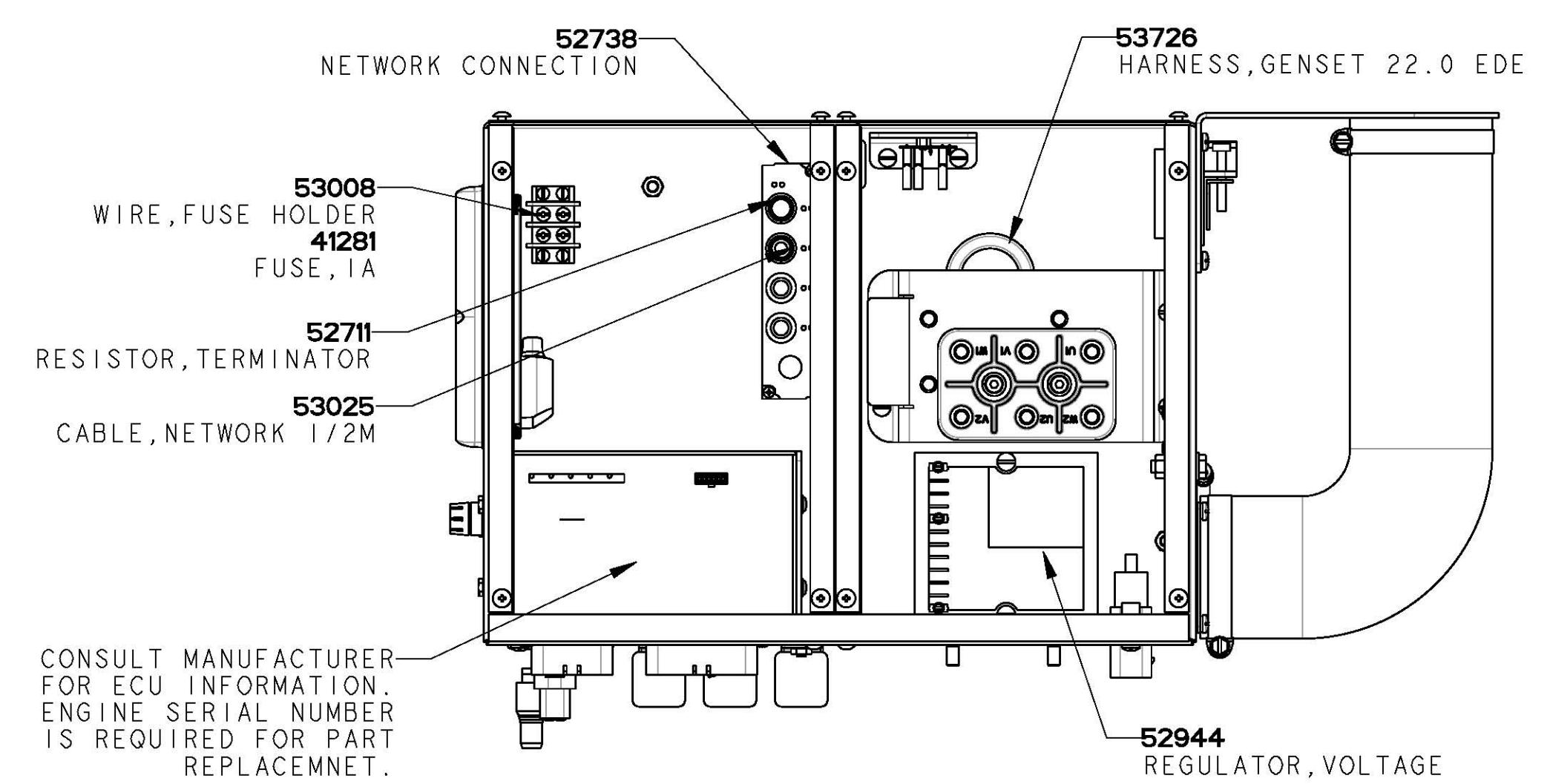
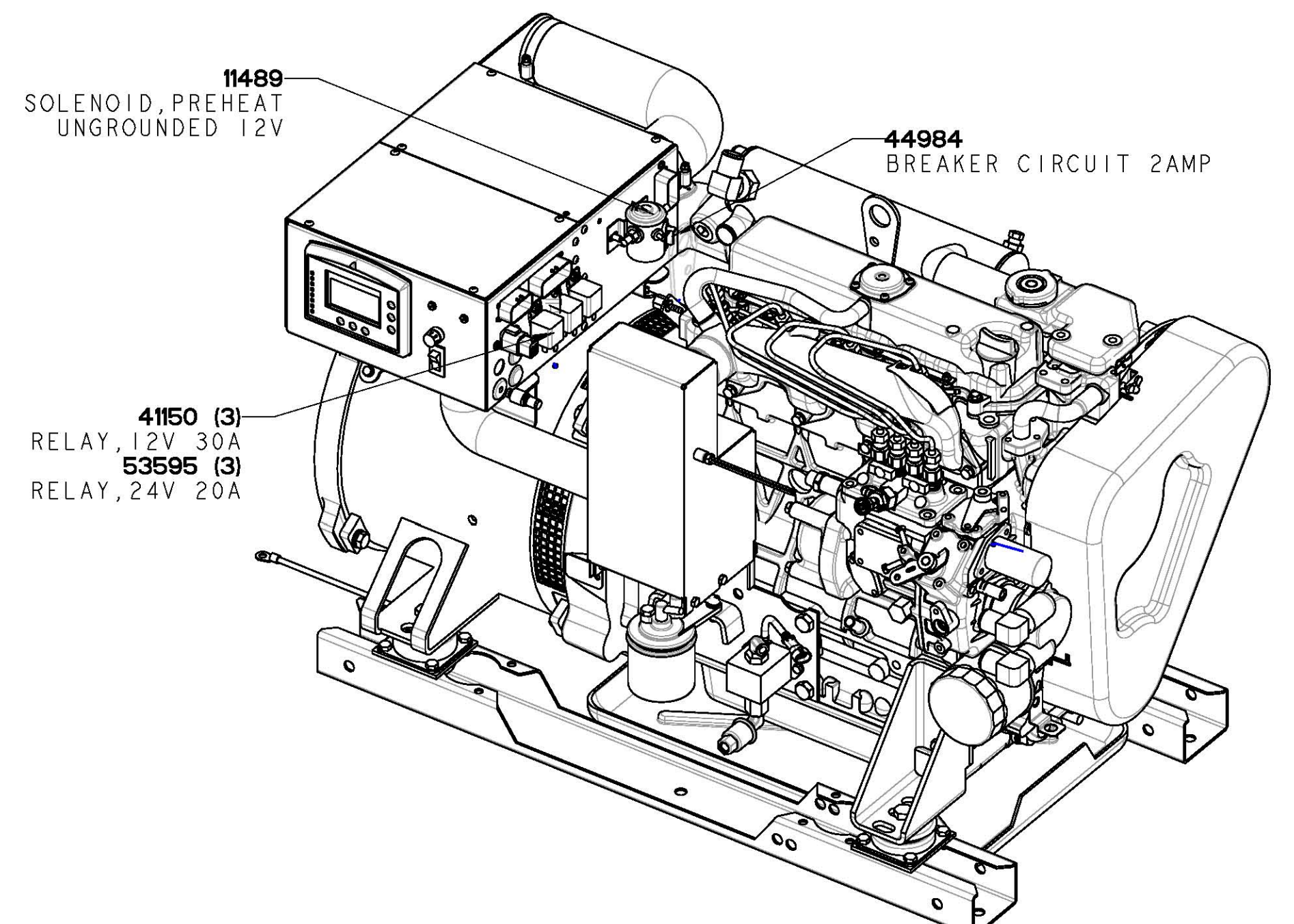
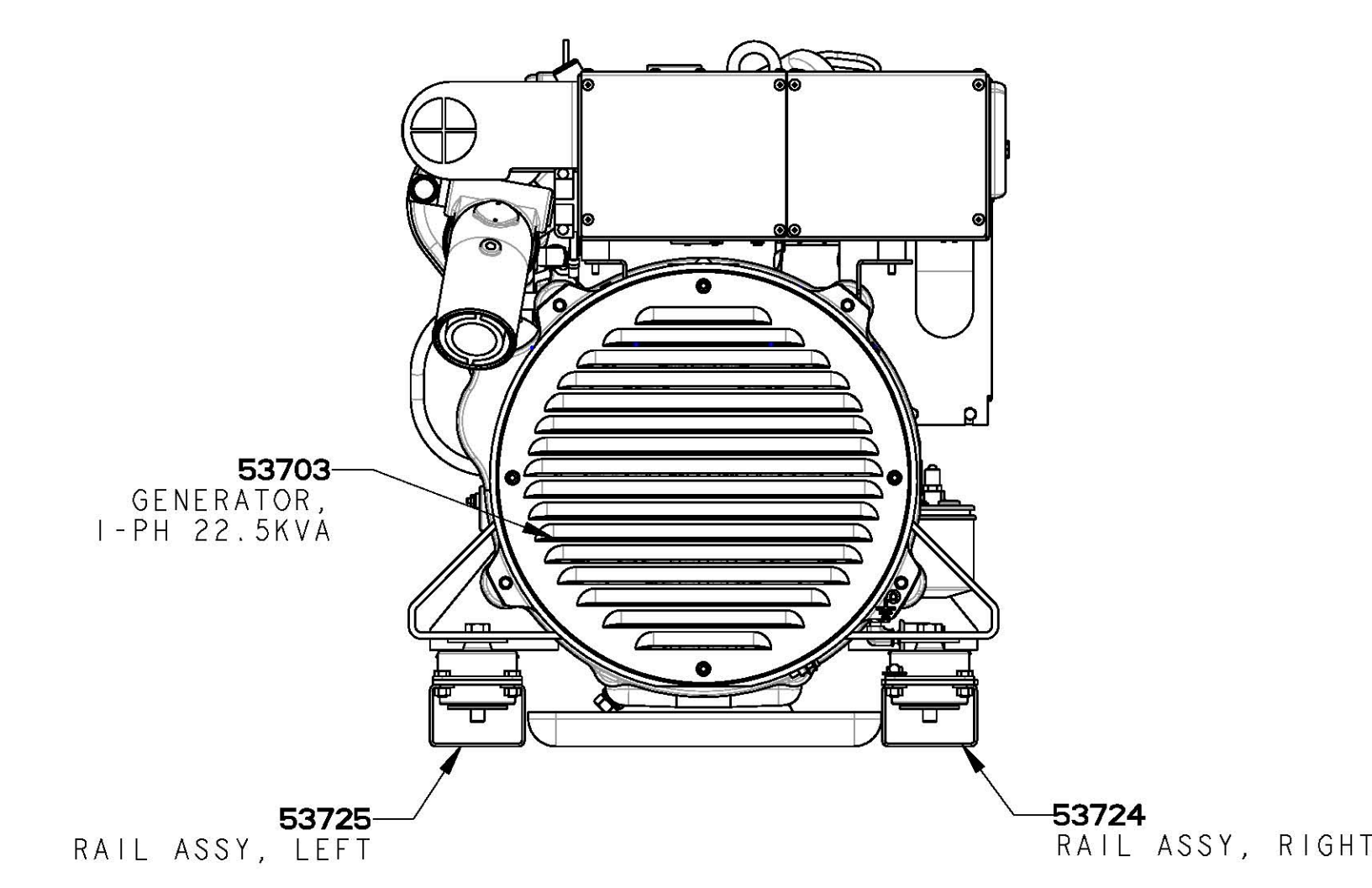
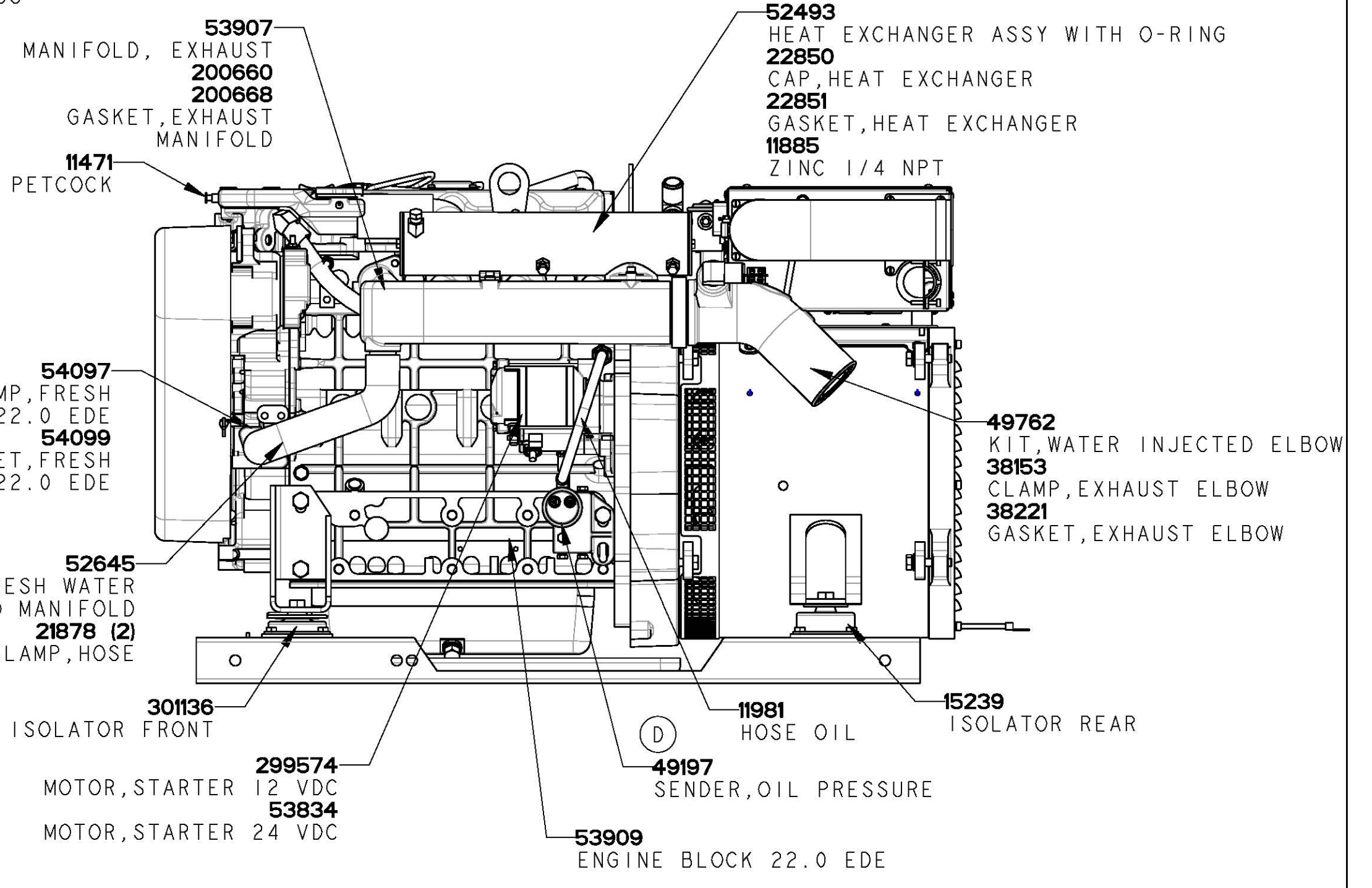
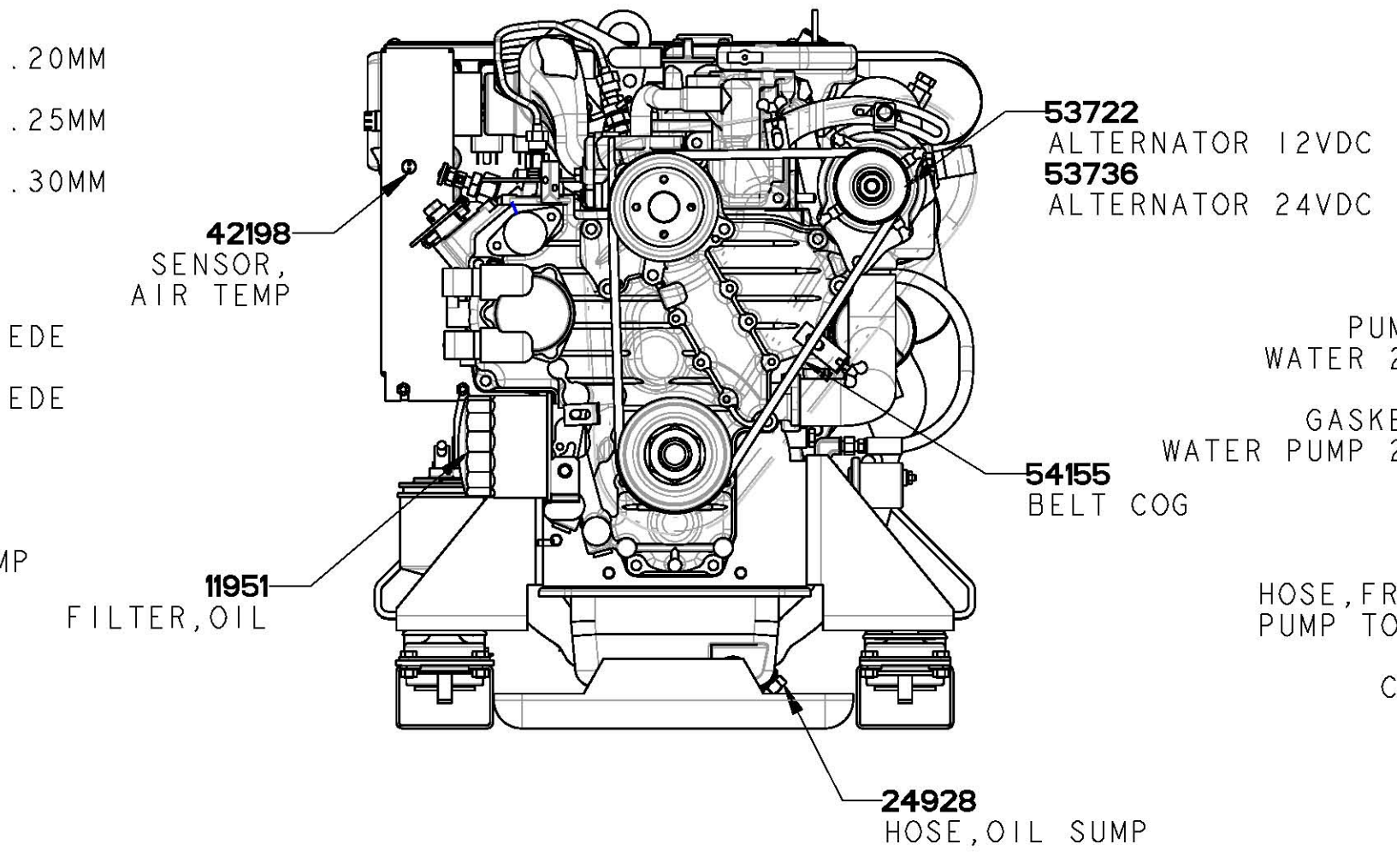
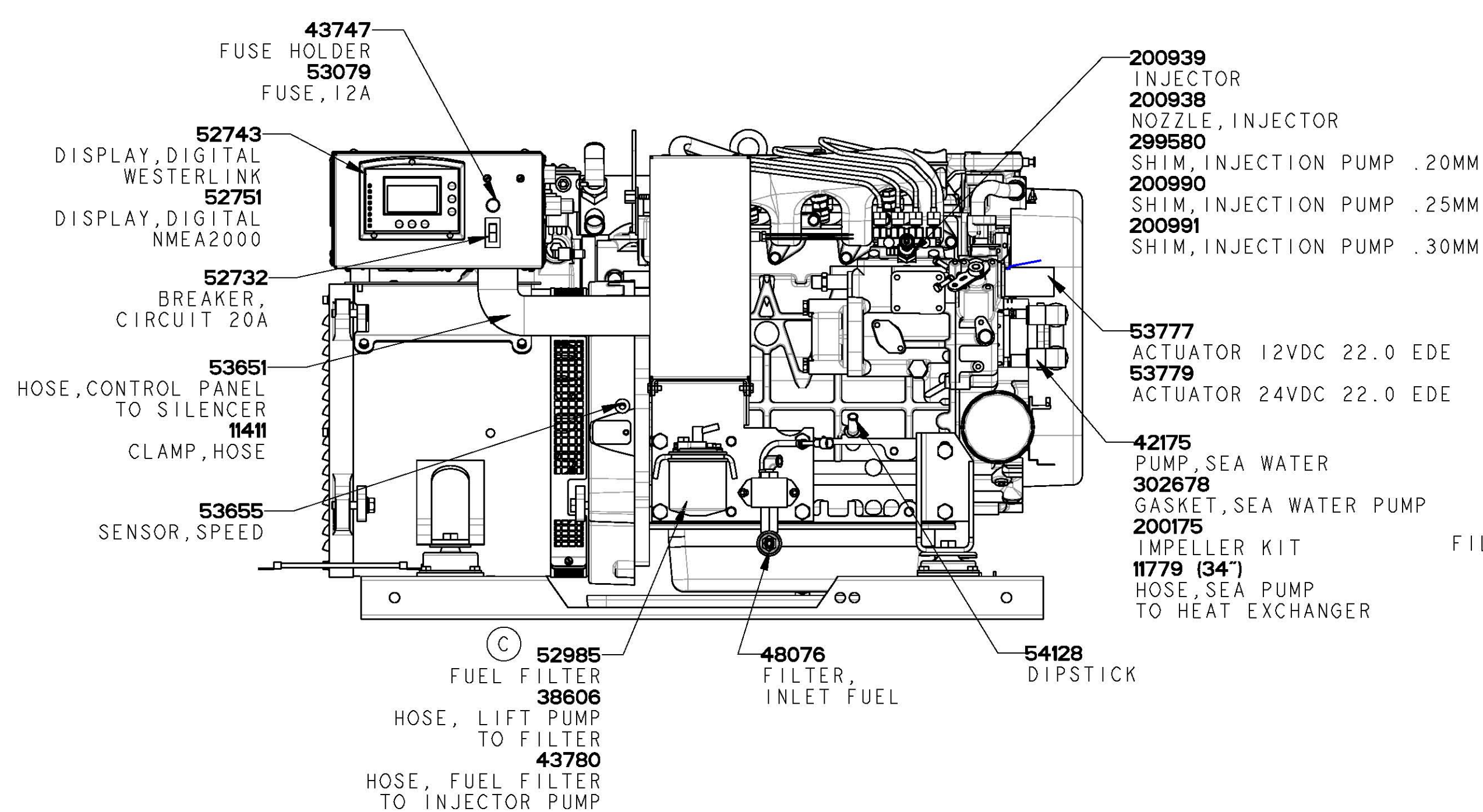


ECO NO.	DATE	REV.	REVISION RECORD	AUTH.	DR. BY
6459	2-12-2008	A	RELEASE TO SYSTEM		MG
6591	12-19-2008	B	RELAYOUT VIEWS. DRW WAS E SIZE.		GA
6604	3-4-2009	C	52985 FUEL FILTER WAS 54164		GA
6719	9-1-2010	D	OIL PRESS SENDER WAS P/N 43902		GA



P/N	DESCRIPTION
53852	MANUAL, OPERATOR 22.0 EDE
54369	MANUAL, SERVICE 17-22 EDE
54157	KIT A 22.0 EDE
54158	KIT B 22.0 EDE
54161	KIT B 22.0 EDE 24 VDC
54372	FILTER, REMOTE OIL
54159	GASKET SET, UPPER 22.0 EDE
54160	GASKET SET, COMPLETE 22.0 EDE



TOLERANCES (UNLESS OTHERWISE NOTED)		WESTERBEKE CORPORATION TAUNTON, MA. 02780	
INCHES	MILLIMETERS	TITLE	DGPARTS 22.0 EDE
.XX ± .02	.X ± 1.0	---	---
.XXX ± .005	.X ± .5	---	---
CAST ± .03	.XX ± .13	---	---
ANGLES: 5°		---	---
FINISH: 32		---	---
DIMENSIONS	SCALE 0.170	SIZE	DRAWING NUMBER
INCHES	17/Dec/08		
MILLIMETERS			
(WHEN APPLICABLE)	SHT. 1 OF 1	D	53730