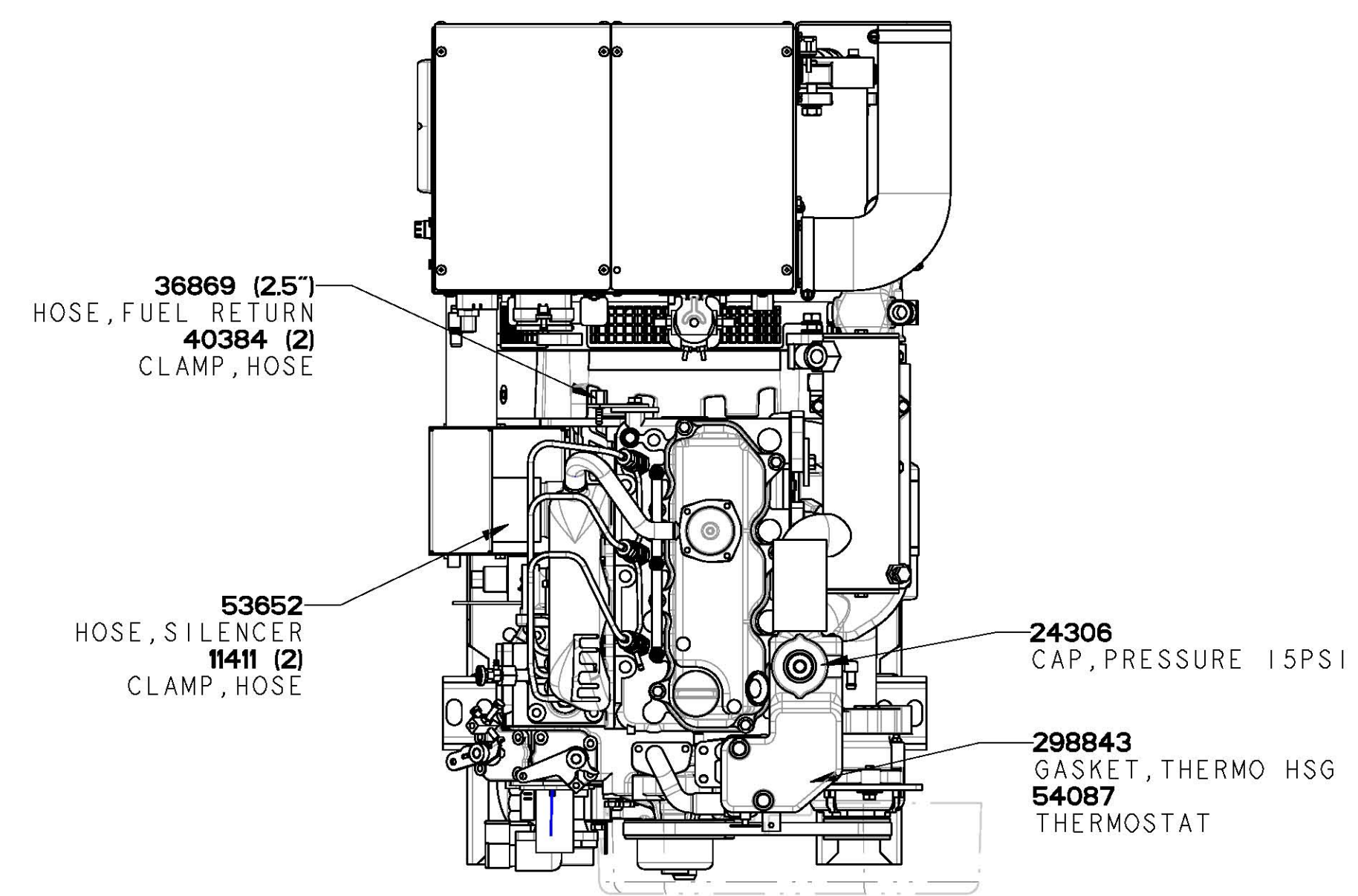
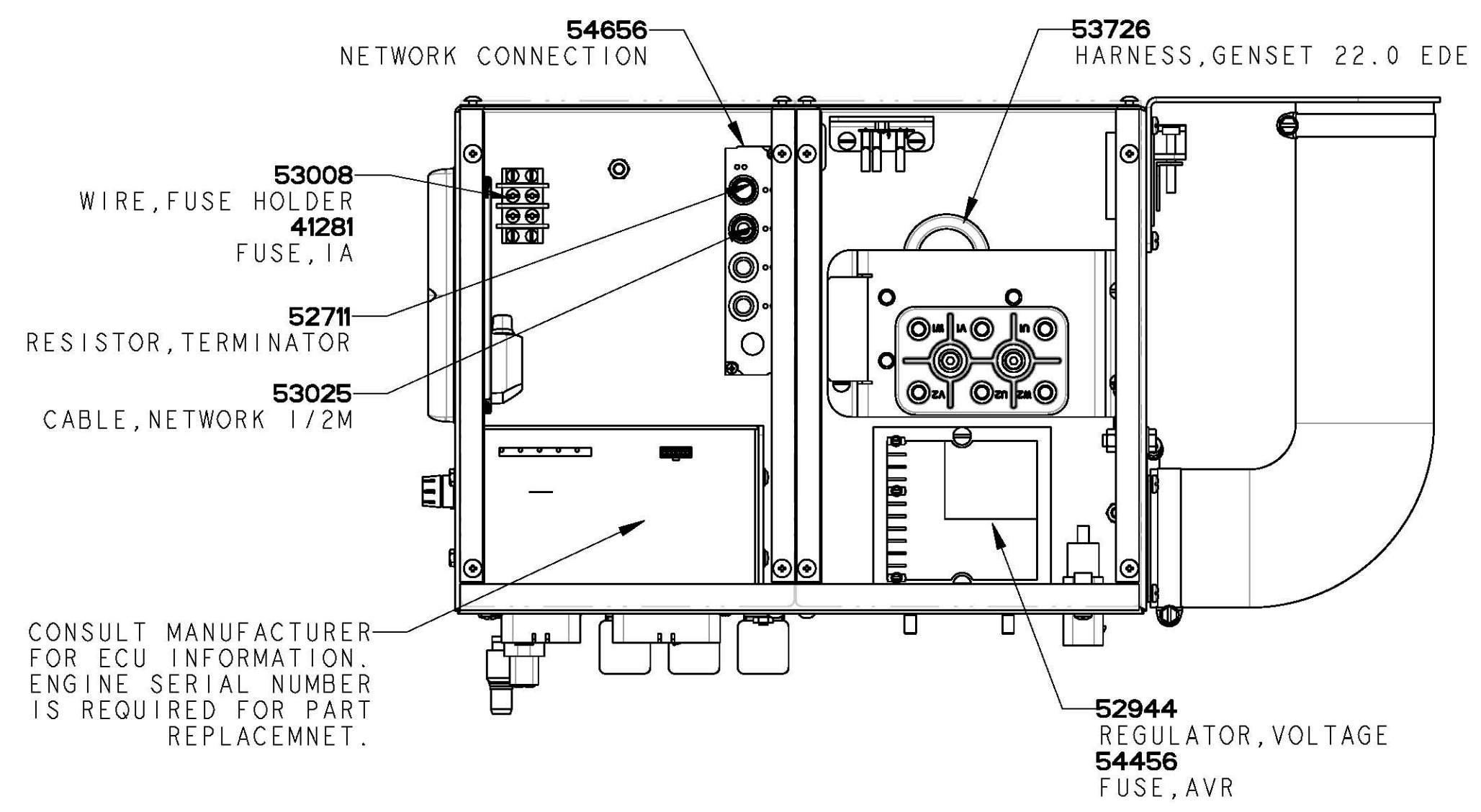
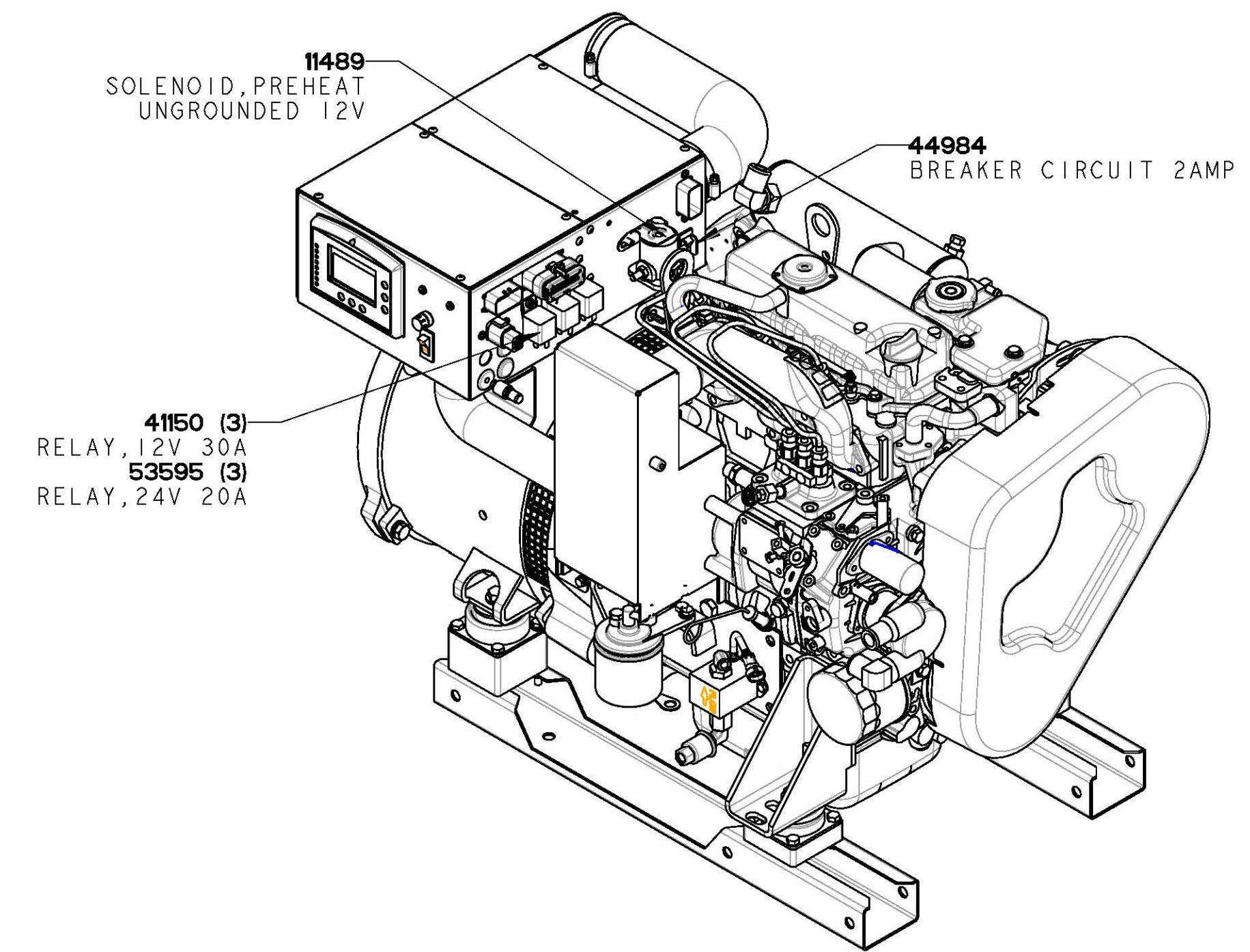
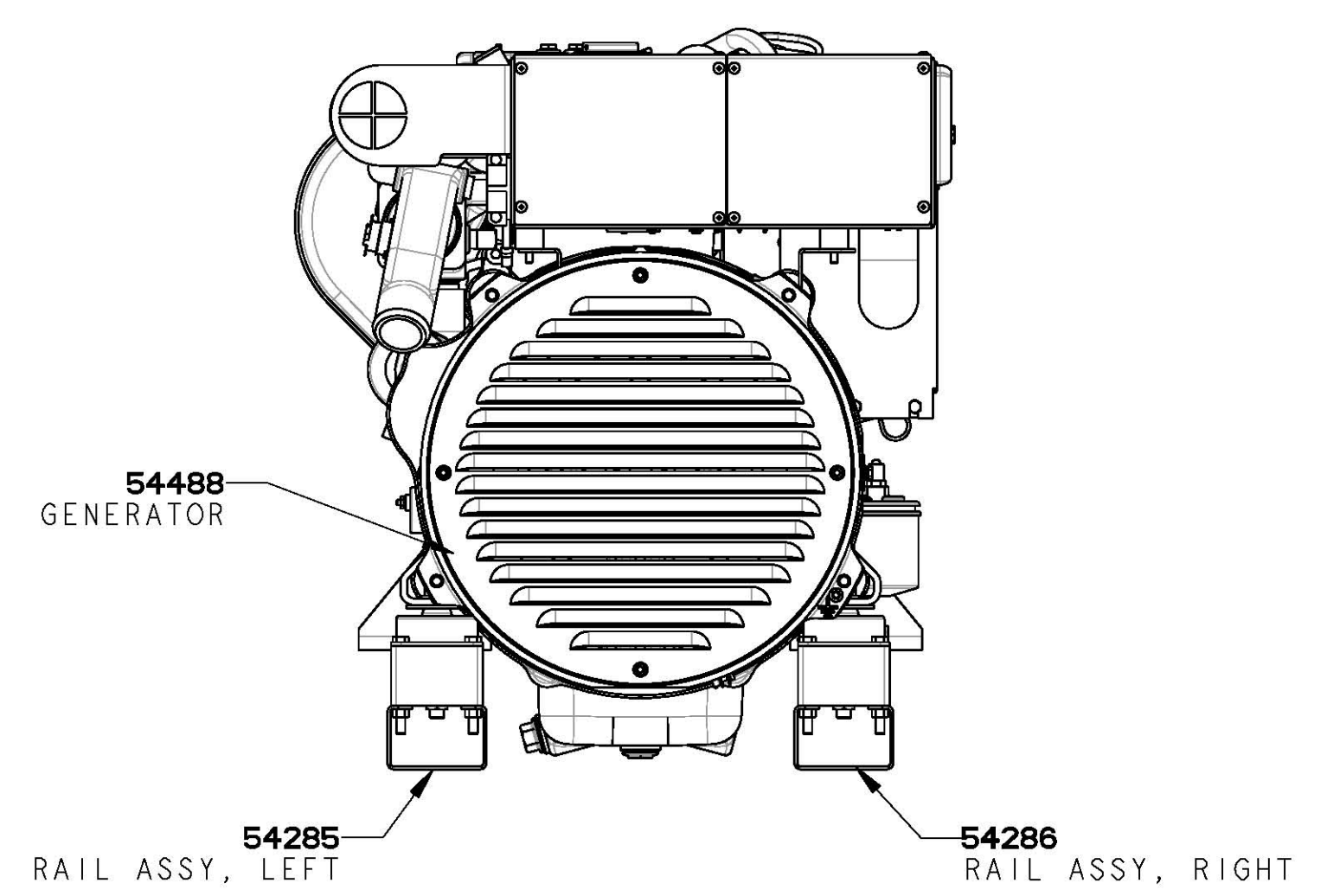
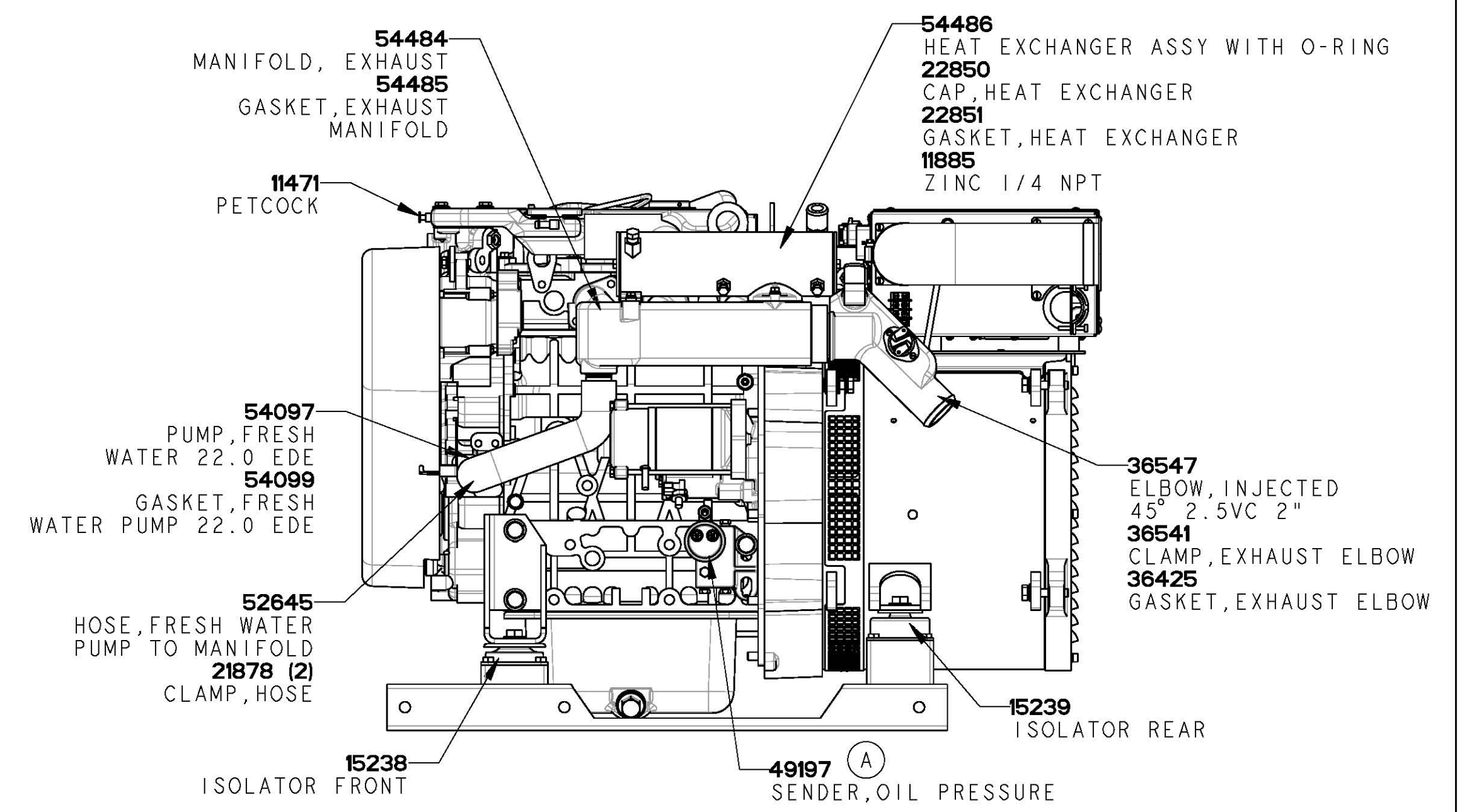
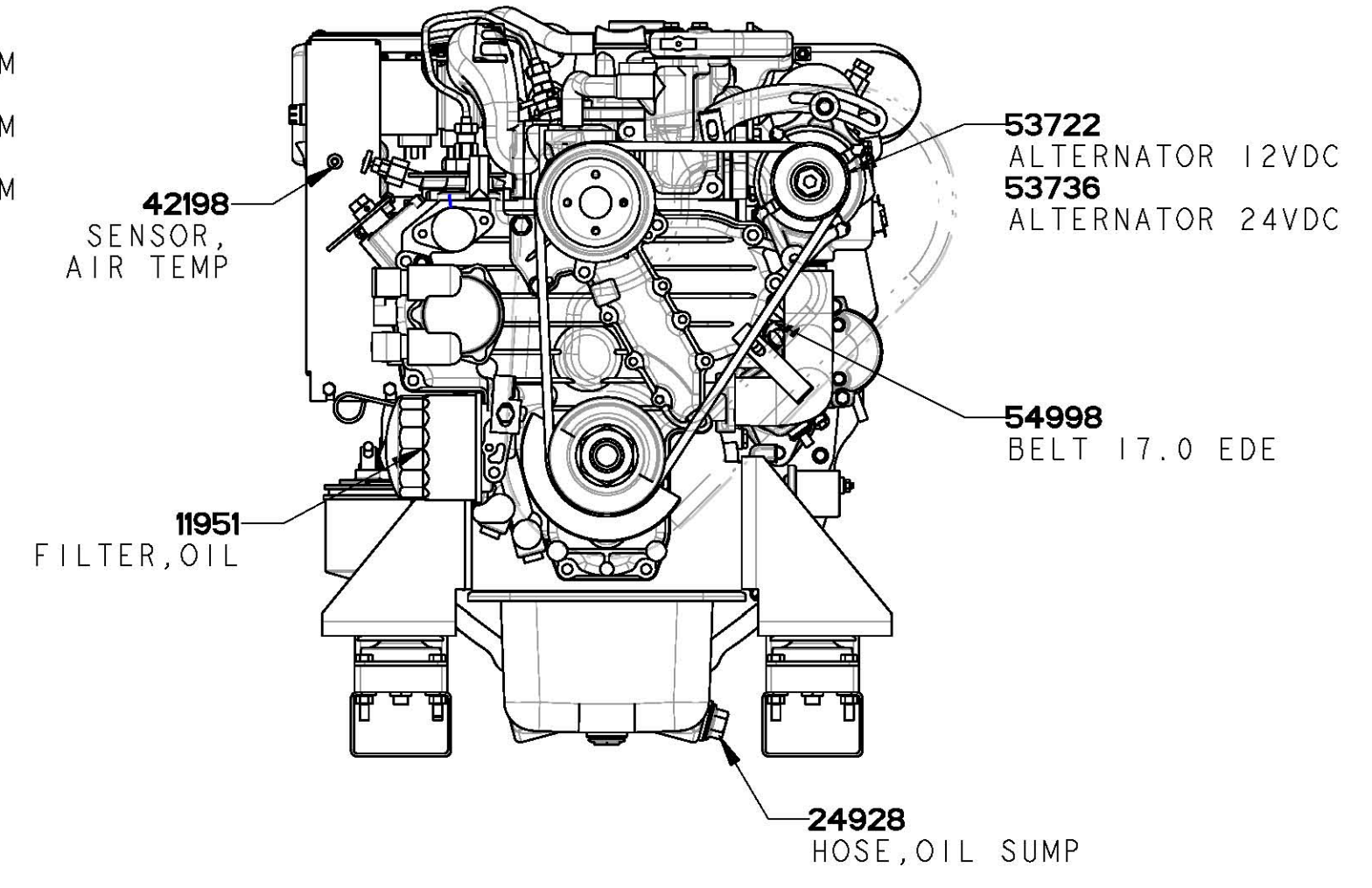
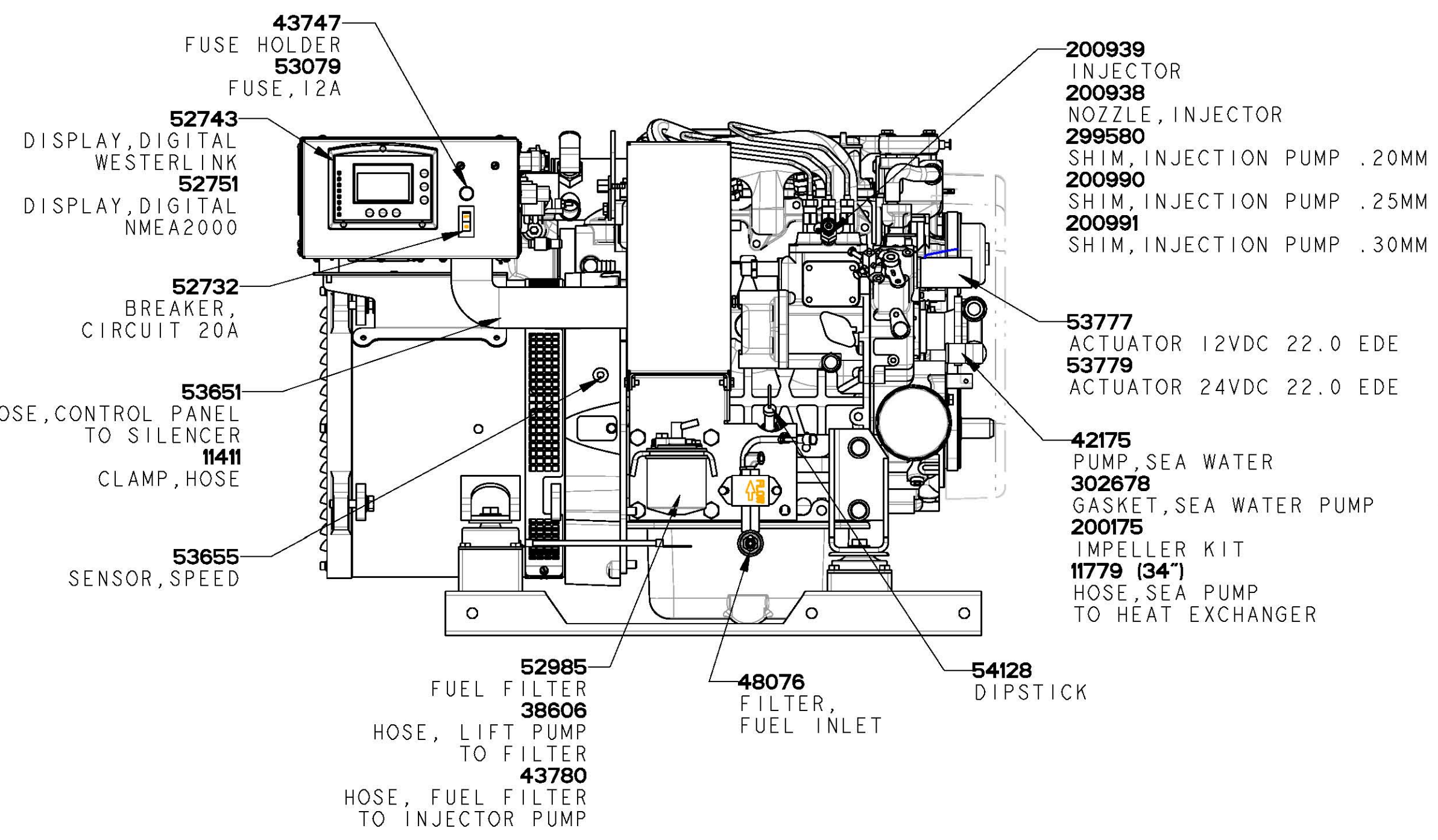


ECO NO.	DATE	REV.	REVISION RECORD	AUTH.	DR. BY
6732	10-13 2010	A	OIL PRESS SENDER WAS P/N 43902.		GA
6768	2-1 2011	B	UPDATE SPARE PART KITS.		GA



P/N	DESCRIPTION
53964	MANUAL, OPERATOR 22.0 EDE
54369	MANUAL, SERVICE 17-22 EDE
43268	MANUAL, INSTALL MARINE ENG/GEN
55013	KIT A 17.0 EDE
55014	KIT B 17.0 EDE
54372	FILTER, REMOTE OIL
55015	GASKET SET, UPPER 17.0 EDE
55016	GASKET SET, COMPLETE 17.0 EDE
55017	HOSE KIT 17.0 EDE



TOLERANCES (UNLESS OTHERWISE NOTED)		WESTERBEKE CORPORATION TAUNTON, MA. 02780	
INCHES	MILLIMETERS	TITLE	MATERIAL:
.XX : .02	X. ± 1.0	DGPARTS 17.0 EDE 100 STACKS	---
.XXX : .005	.X ± .5	17.0 EDE@60Hz; 13.5 EDE@50Hz	---
CAST : .03	.XX ± .13		---
ANGLES: 5°			---
FINISH 83			---
DIMENSIONS		DRAWN BY	DATE
INCHES		GA	08/Dec/08
MILLIMETERS		APPROVED BY	DATE
(WHEN APPLICABLE)			
SCALE 0.170	SIZE	DRAWING NUMBER	REV.
SHT. 1 OF 1	D	53962	B